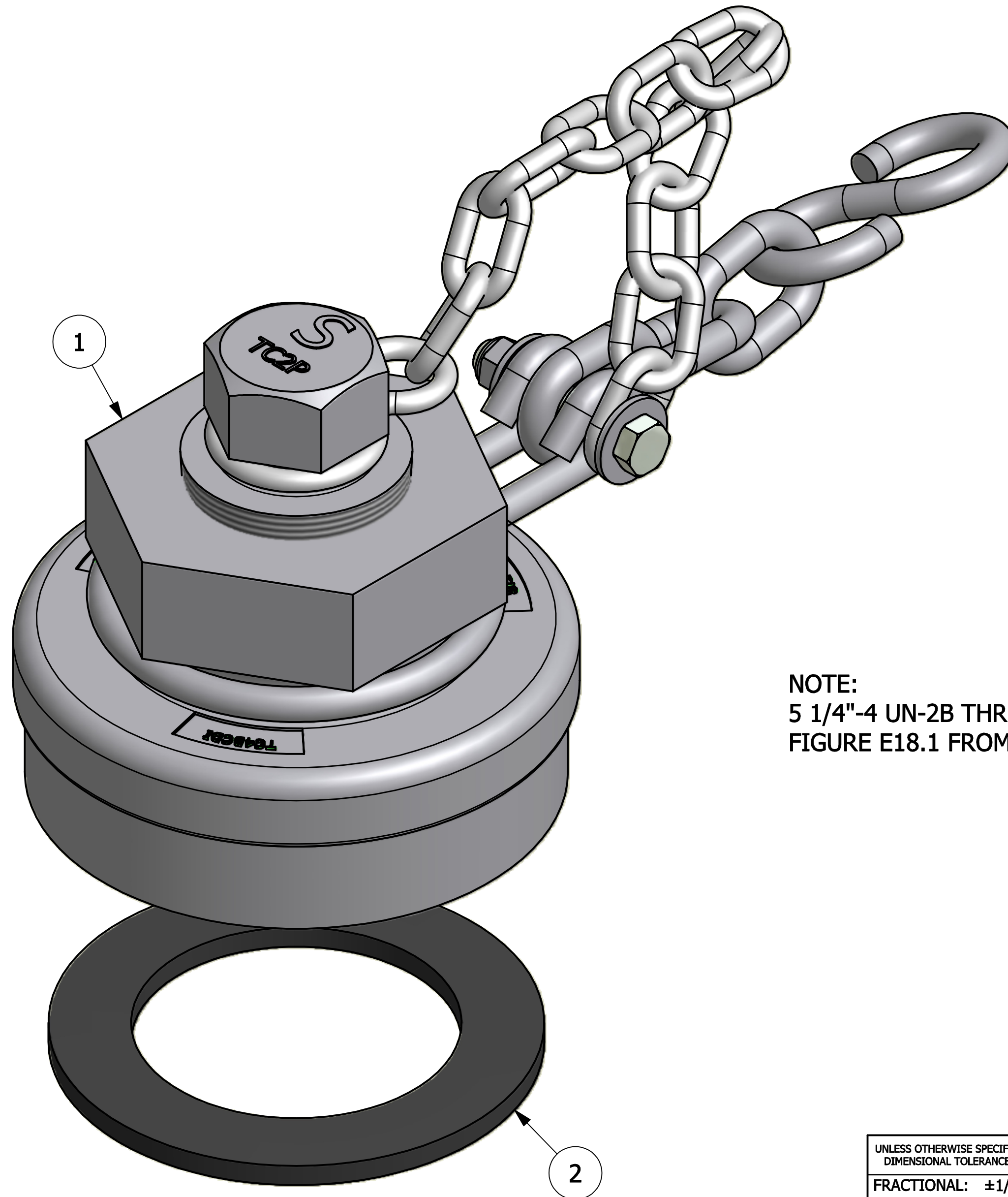


NO.	PART NAME	PART#	REQ'D	MATERIAL
1	BOTTOM OUTLET CAP 4"	TC4BCDIA	1	DUCTILE IRON
2	BOTTOM OUTLET CAP GASKET 4"	BCG356	1	BLACK VITON A



NOTE:
5 1/4"-4 UN-2B THREADS CONFORM TO ANSI B1.1 AND
FIGURE E18.1 FROM THE AAR TANK CAR MANUAL.

REV	BY	DATE	DESCRIPTION
A	CHL	4-1-08	NEW PART ADDED TO SYSTEM

UNLESS OTHERWISE SPECIFIED DIMENSIONAL TOLERANCES	DRAWN BY:	CHL
FRACTIONAL: $\pm 1/16$	CHECKED BY:	PJG
X.XX: ± 0.03	PROTOTYPE BY:	CHL
X.XXX: ± 0.15	PROTOTYPE DATE:	3/27/2008
ANGLE: $\pm 1^\circ$	APPROVED FOR PRODUCTION BY:	
THIS PRINT, PROPERTY OF SALCO PRODUCTS INC, CONTAINS PROPRIETARY INFORMATION AND MUST NOT BE COPIED, REPRODUCED, OR USED DETRIMENTALLY TO OUR INTEREST.	PRODUCTION DATE:	
THIRD ANGLE PROJECTION		

SALCO PRODUCTS, INC.		
PART NAME: BOTTOM OUTLET CAP 4"		
MATERIAL: SEE BOM		
PROJECT #:	SHEET #:	SCALE:
WAG0543	1 OF 1	1:1
DRAWING #:	PART #:	
C24980	TC4BCDI6A	