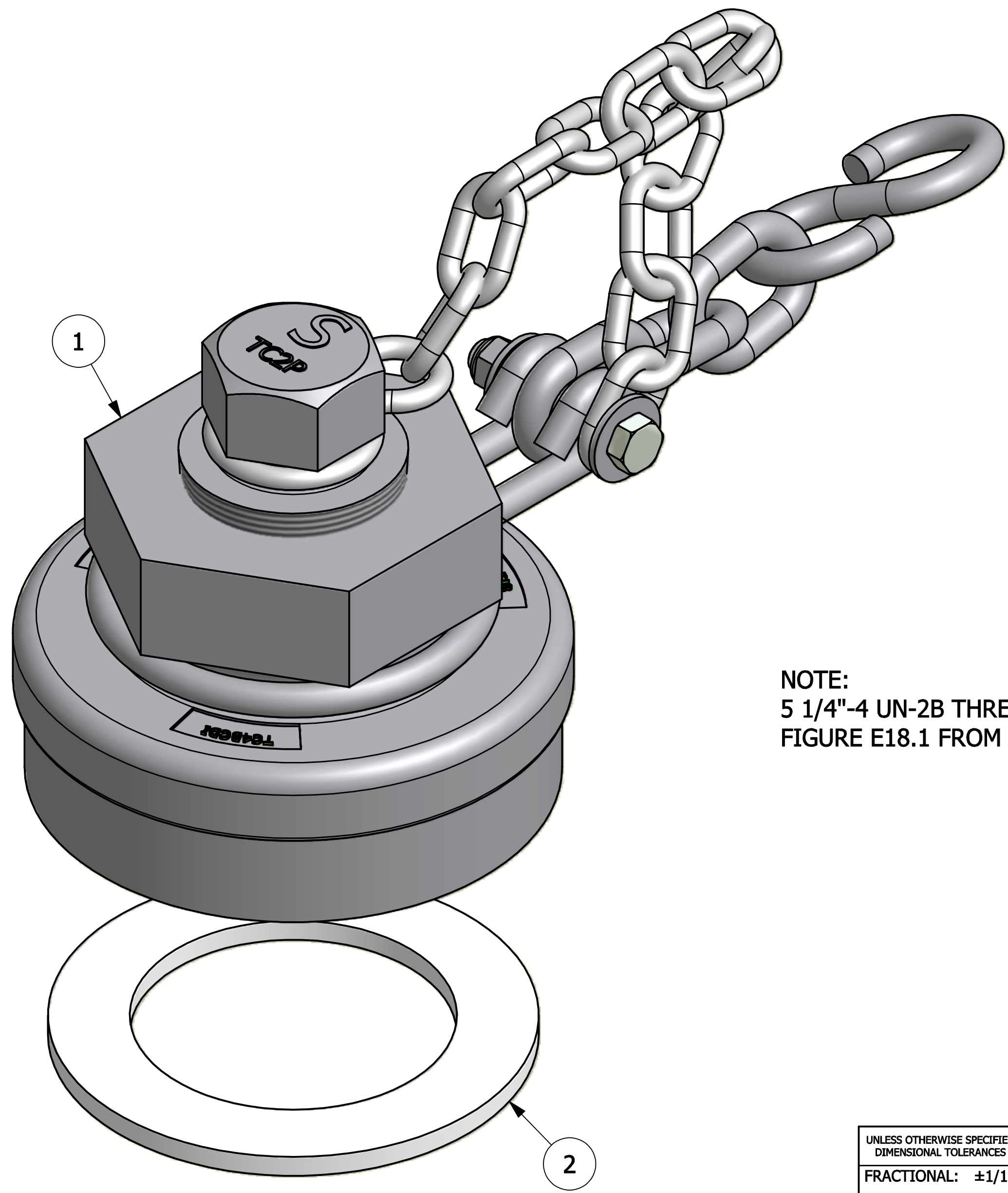


| NO. | PART NAME | PART# | REQ'D | MATERIAL |
|-----|-----------------------------|----------|-------|----------------|
| 1 | BOTTOM OUTLET CAP 4" | TC4BCDIA | 1 | DUCTILE IRON |
| 2 | BOTTOM OUTLET CAP GASKET 4" | BCG358 | 1 | WHITE NEOPRENE |



NOTE:
 5 1/4"-4 UN-2B THREADS CONFORM TO ANSI B1.1 AND
 FIGURE E18.1 FROM THE AAR TANK CAR MANUAL.

| REV | BY | DATE | DESCRIPTION |
|-----|-----|--------|--------------------------|
| A | CHL | 4-1-08 | NEW PART ADDED TO SYSTEM |

SALCO PRODUCTS, INC.

PART NAME:
BOTTOM OUTLET CAP 4"

MATERIAL: **SEE BOM**

PROJECT #: **WAG0543** SHEET #: **1 OF 1** SCALE: **1:1**

DRAWING #: **C24981** PART #: **TC4BCDI8A**

| | | |
|---|-----------------------------|-----------|
| <small>UNLESS OTHERWISE SPECIFIED DIMENSIONAL TOLERANCES</small> FRACTIONAL: ±1/16 X.XX: ±.03 X.XXX: ±.015 ANGLE: ±1° | DRAWN BY: | CHL |
| | CHECKED BY: | PJG |
| | PROTOTYPE BY: | CHL |
| | PROTOTYPE DATE: | 3/27/2008 |
| <small>THIS PRINT, PROPERTY OF SALCO PRODUCTS INC, CONTAINS PROPRIETARY INFORMATION AND MUST NOT BE COPIED, REPRODUCED, OR USED DETRIMENTALLY TO OUR INTEREST.</small> | APPROVED FOR PRODUCTION BY: | |
| | PRODUCTION DATE: | |
| <small>THIRD ANGLE PROJECTION</small> | | |