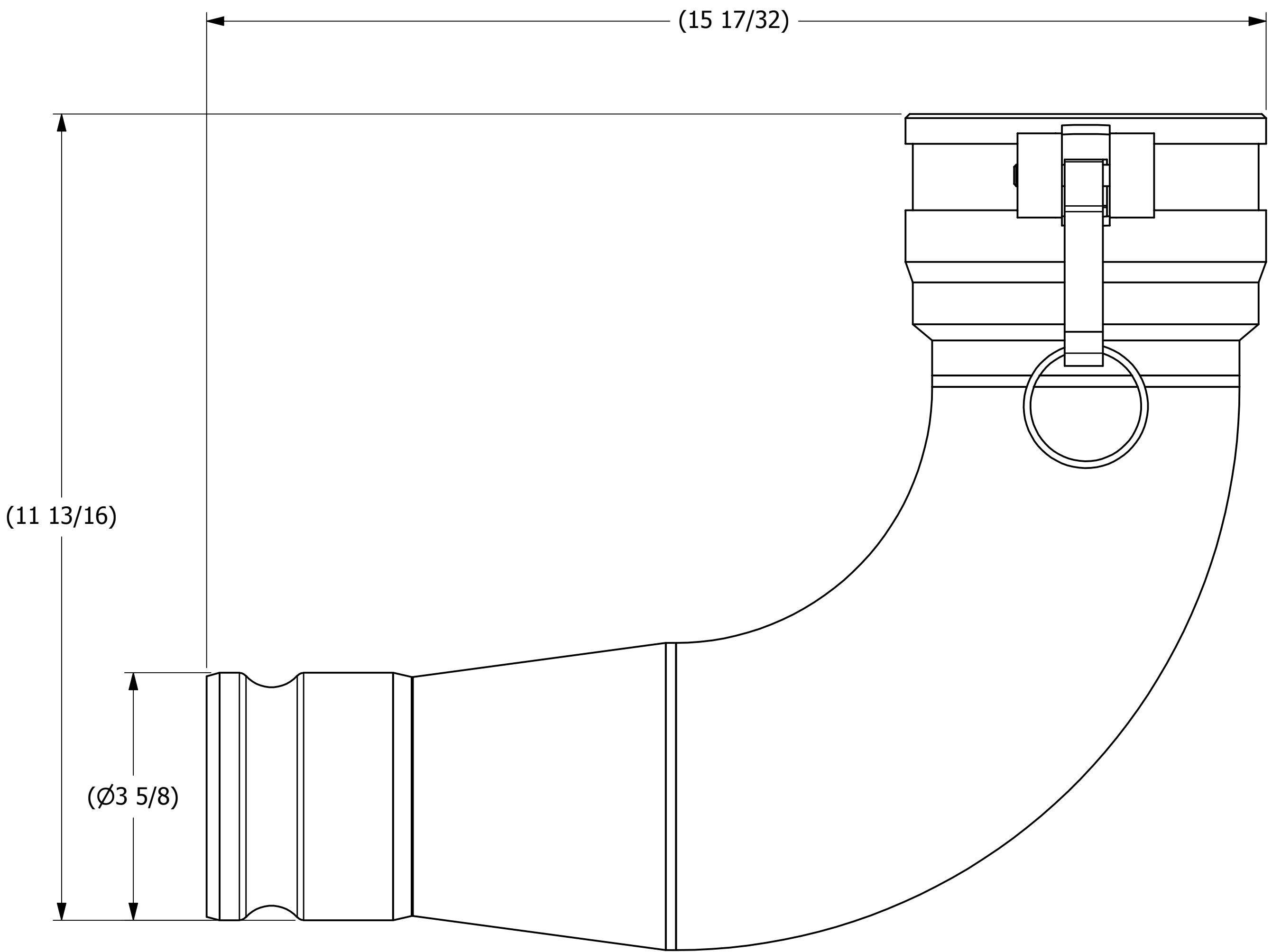


SALES DRAWING SALES DRAWING

SALES DRAWING SALES DRAWING



REV	BY	DATE	DESCRIPTION
B	JG	5-1-15	ADDED PD4DCGW8, UPDATED TITLEBLOCK
A	CHL	5-3-06	NEW PART ADDED TO SYSTEM

UNLESS OTHERWISE SPECIFIED DIMENSIONAL TOLERANCES	DRAWN BY:	CHL
FRACTIONAL: ±1/16	CHECKED BY:	ACC
X.XX: ±.03	PROTOTYPE BY:	CHL
X.XXX: ±.015	PROTOTYPE DATE:	1/19/2006
ANGLE: ±1°	APPROVED FOR PRODUCTION BY:	ACC
THIS PRINT, PROPERTY OF SALCO PRODUCTS INC, CONTAINS PROPRIETARY INFORMATION AND MUST NOT BE COPIED, REPRODUCED, OR USED DETRIMENTALLY TO OUR INTEREST.	PRODUCTION DATE:	2/8/2006
THIRD ANGLE PROJECTION 		

PART NAME: UNLOADING ELBOW 4"X3" 90°		
MATERIAL: SEE BOM		
PROJECT #:	WAG0298	SHEET #: 1 OF 1
DRAWING #:	C21486	PART #: U43S9FM08
SCALE: 3:4		