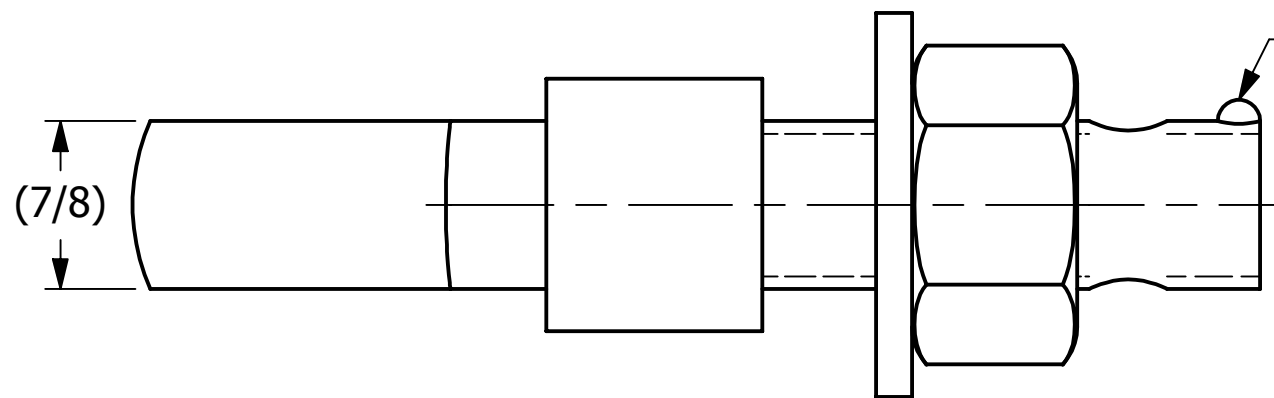
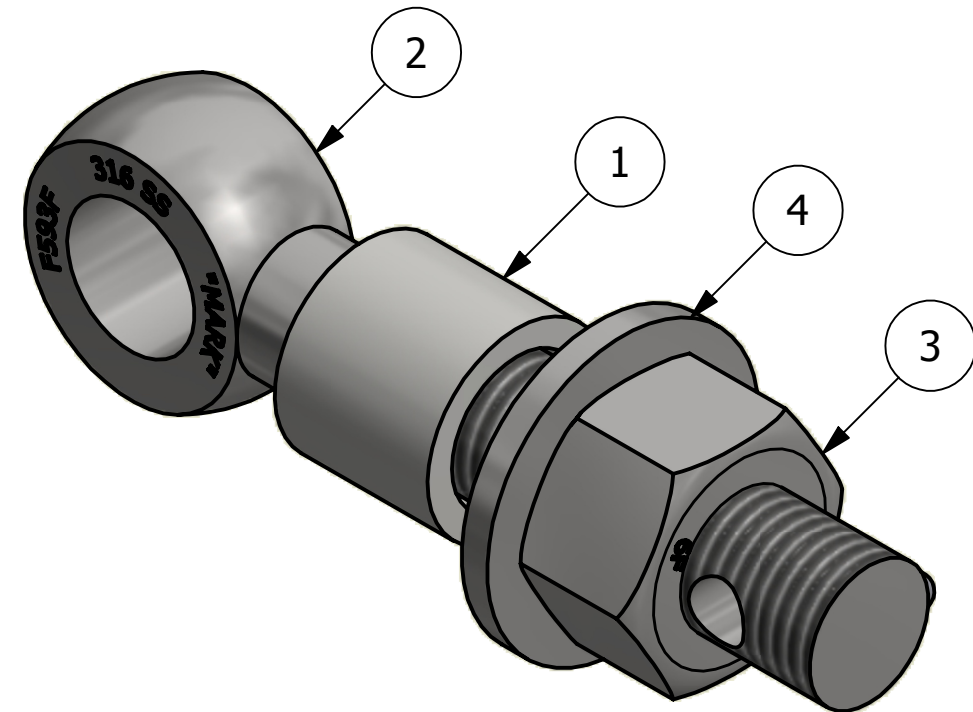


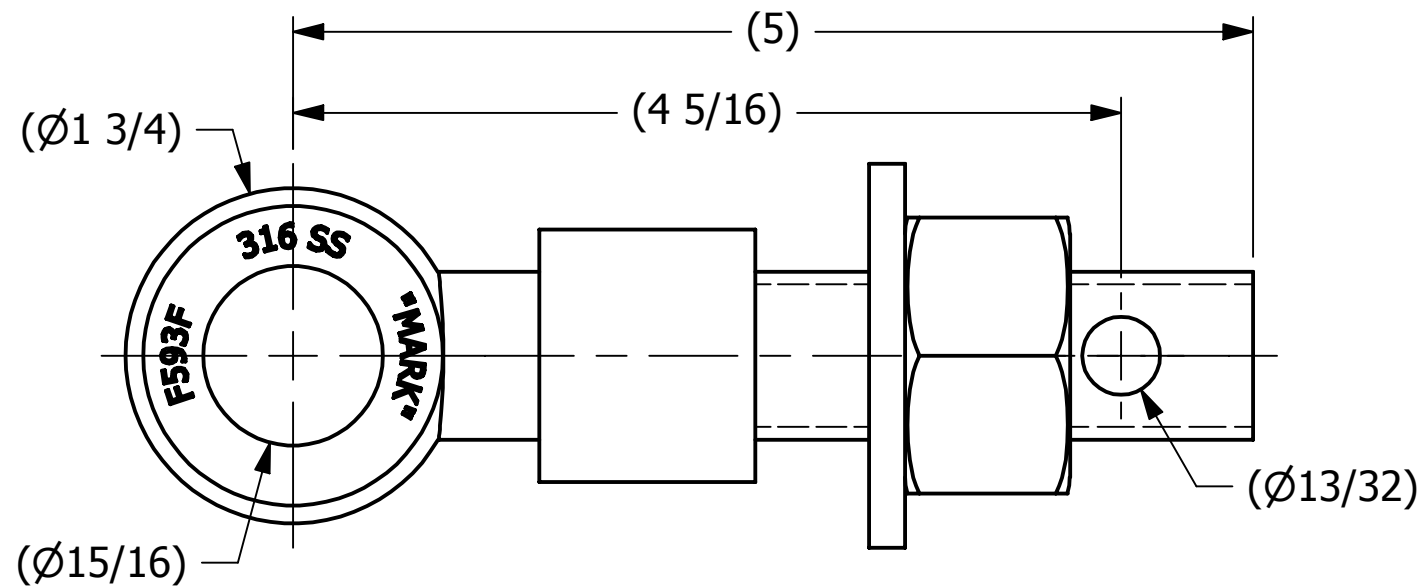
NO	PART NAME	PART#	REQ'D	MATERIAL
1	SAFETY COLLAR 7/8"	COLLAR2S6	1	316 SS
2	EYEBOLT 7/8"X5"	EBR785HS6	1	316 SS
3	HEAVY HEX NUT 7/8"-9	N78XS6	1	416 SS
4	FLAT WASHER 7/8" SAE	WASH78S6	1	316 SS



APPLY A BEAD OF WELD TO THE TWO END THREADS AFTER INSTALLING COLLAR, WASHER, AND NUT.



ISOMETRIC VIEW



REV	BY	DATE	DESCRIPTION
A	RJP	7-14-17	WASH78S6 WAS WASH78S4; UPDATED TO CURRENT STANDARDS

UNLESS OTHERWISE SPECIFIED DIMENSIONAL TOLERANCES FRACTIONAL: ±1/16 X.XX: ±.03 X.XXX: ±.015 ANGULAR: ±1° DEBURR ALL SHARP EDGES. ALL MACHINED SURFACES TO HAVE A 125 RMS FINISH UNLESS NOTED OTHERWISE. THIRD ANGLE PROJECTION	DRAWN BY:	FOD
	CHECKED BY:	SAB
	PROTOTYPE BY:	FOD
	PROTOTYPE DATE:	7/2/1999
	APPROVED FOR PRODUCTION BY:	
	PRODUCTION DATE:	

SALCO PRODUCTS, INC.		
PART NAME: EYEBOLT ASSEMBLY 7/8"X5"		
MATERIAL: SEE BOM		
PROJECT #: 990624	SHEET #: 1 OF 1	SCALE: 1:1
DRAWING #: B13582	PART #: EB785XHAS6C	