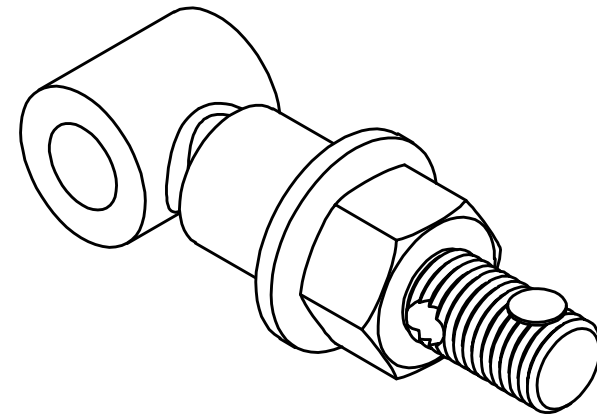


NO.	PART NAME	PART #	REQ'D	MATERIAL
1	EYEBOLT 7/8-9X5	EBR785THS6R	1	316 SS
2	HEAVY HEX NUT 7/8"-9	N78X	1	CARBON STEEL
3	WASHER FLAT 7/8	WASH78S6	1	316 SS
4	SAFETY COLLAR 1 1/8"	COLLAR2S6	1	316 SS
5	RIVET HUCK 1/4X13/16 SS	A16204	1	316 SS



ISOMETRIC VIEW

UNLESS OTHERWISE SPECIFIED DIMENSIONAL TOLERANCES			
FRACTIONAL	±1/16		
X.XX	±0.03		
X.XXX	±0.015		
ANGULAR	±1°		

A		CHL	11-26-01	REPLACED SNI4S W/ A16204
REV	BY	DATE	DESCRIPTION	
SALCO PRODUCTS, INC.				
DRAWN BY:	FOD	CHKD BY:	SAB	SCALE: 1:1
MATERIAL:		SEE BOM		
PART NAME: EYEBOLT ASSY 7/8X5 SS HEX				
PROJECT #:	981116	PROTOTYPE AND DATE:	FOD 2-10-00	APPROVED FOR PRODUCTION:
THIRD ANGLE PROJECTION	DRAWING #:	B14242	PART #:	EB785XTRAS6C