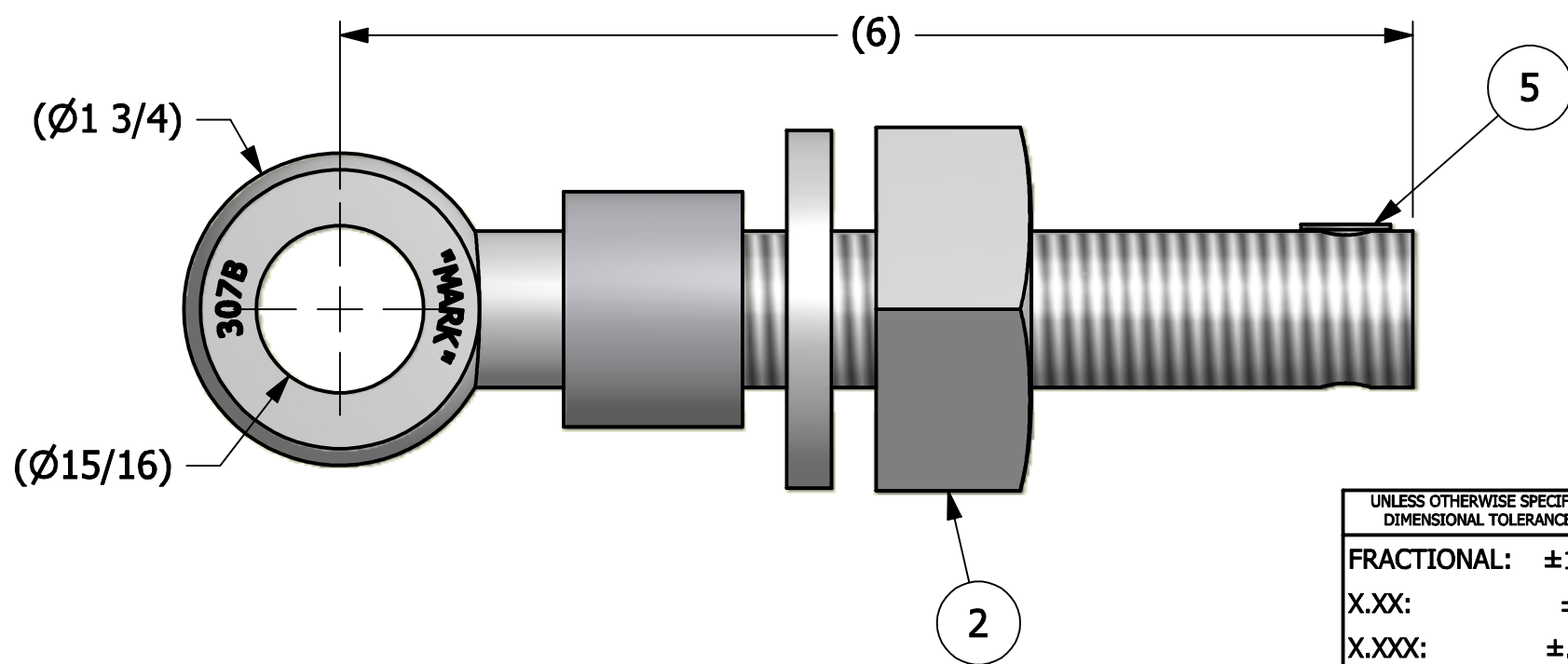
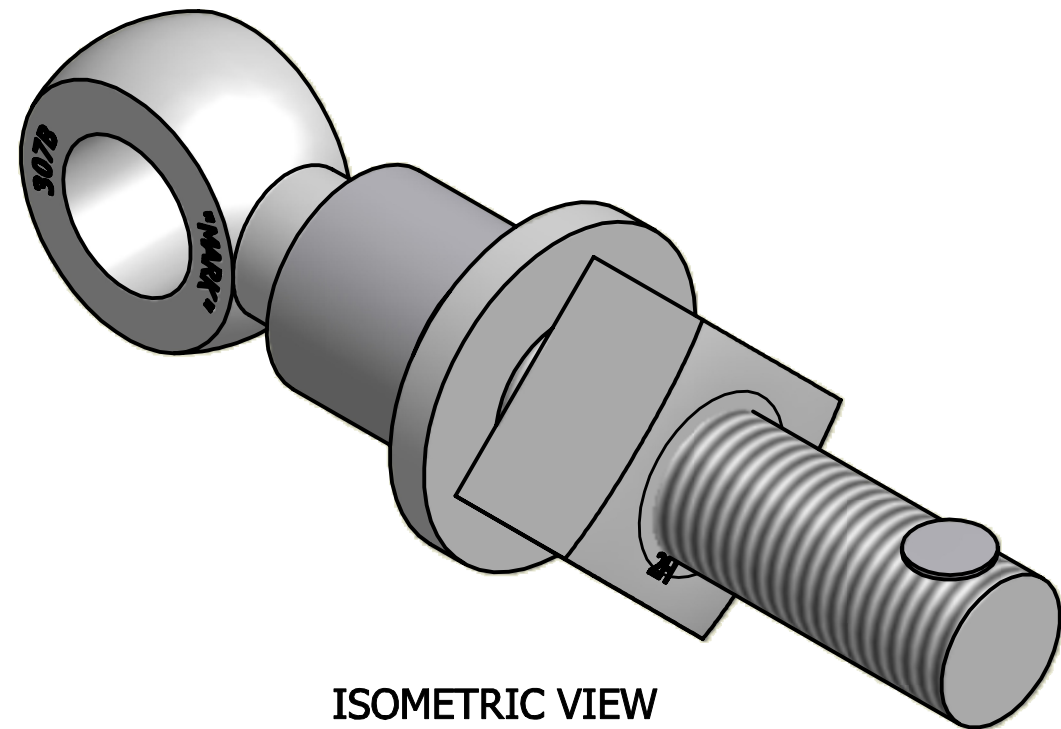
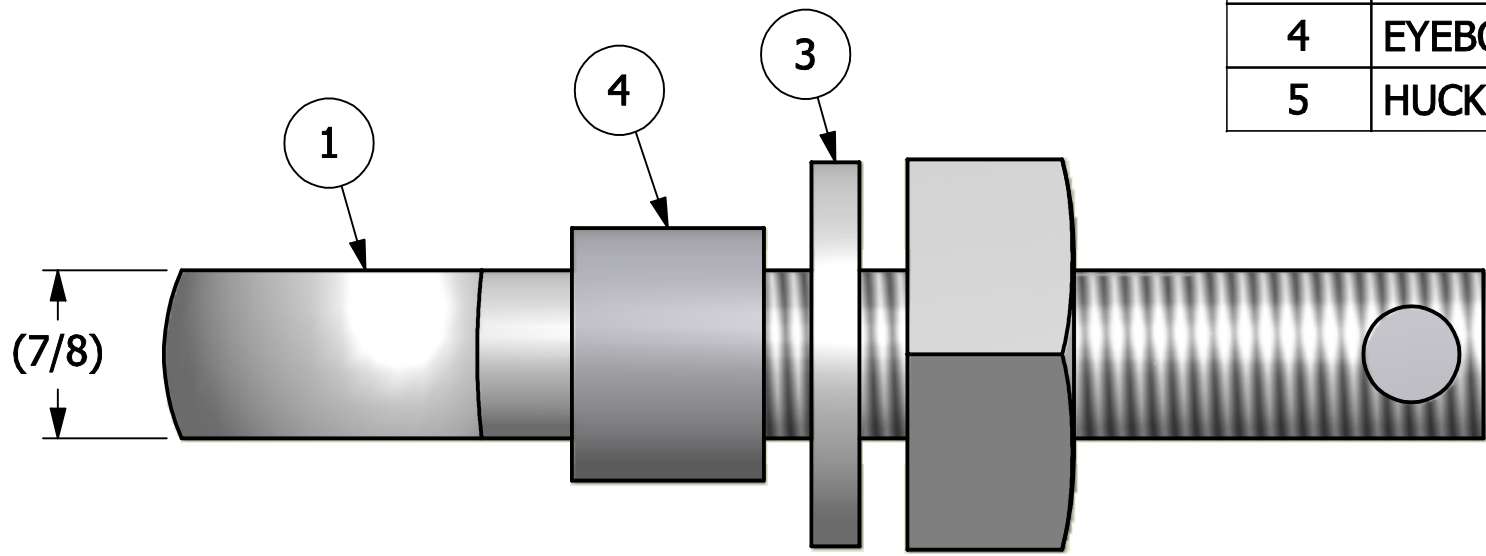


NO.	PART NAME	PART#	REQ'D	MATERIAL
1	EYEBOLT 7/8"X6"	EBR786R	1	CARBON STEEL
2	HEAVEY SQUARE NUT 7/8"-9	N78	1	CARBON STEEL
3	FLAT WASHER 7/8"	WASH78T	1	CARBON STEEL
4	EYEBOLT SAFETY COLLAR 7/8"	COLLAR1	1	CARBON STEEL
5	HUCK RIVET 1/4"X13/16"	A16204	1	316 SS



REV	BY	DATE	DESCRIPTION
B	BRG	1-21-09	UPDATED EYEBOLT MATERIAL
A	CHL	4-5-07	NEW PART ADDED TO SYSTEM

UNLESS OTHERWISE SPECIFIED DIMENSIONAL TOLERANCES	DRAWN BY:	CHL
FRACTIONAL: ±1/16	CHECKED BY:	PJG
X.XX: ±.03	PROTOTYPE BY:	CHL
X.XXX: ±.015	PROTOTYPE DATE:	3/15/2006
ANGULAR: ±1°	APPROVED FOR PRODUCTION BY:	PJG
THIS PRINT, PROPERTY OF SALCO PRODUCTS INC., CONTAINS PROPRIETARY INFORMATION AND MUST NOT BE COPIED, REPRODUCED, OR USED DETRIMENTALLY TO OUR INTEREST.	PRODUCTION DATE:	4/5/2007
THIRD ANGLE PROJECTION		

**SALCO PRODUCTS, INC.**

PART NAME: **EYEBOLT ASSEMBLY 7/8"X6"**

MATERIAL: **SEE BOM**

PROJECT #: **011005**      SHEET #: **1 OF 1**      SCALE: **1:1**

DRAWING #: **B21692**      PART #: **EB786AC**