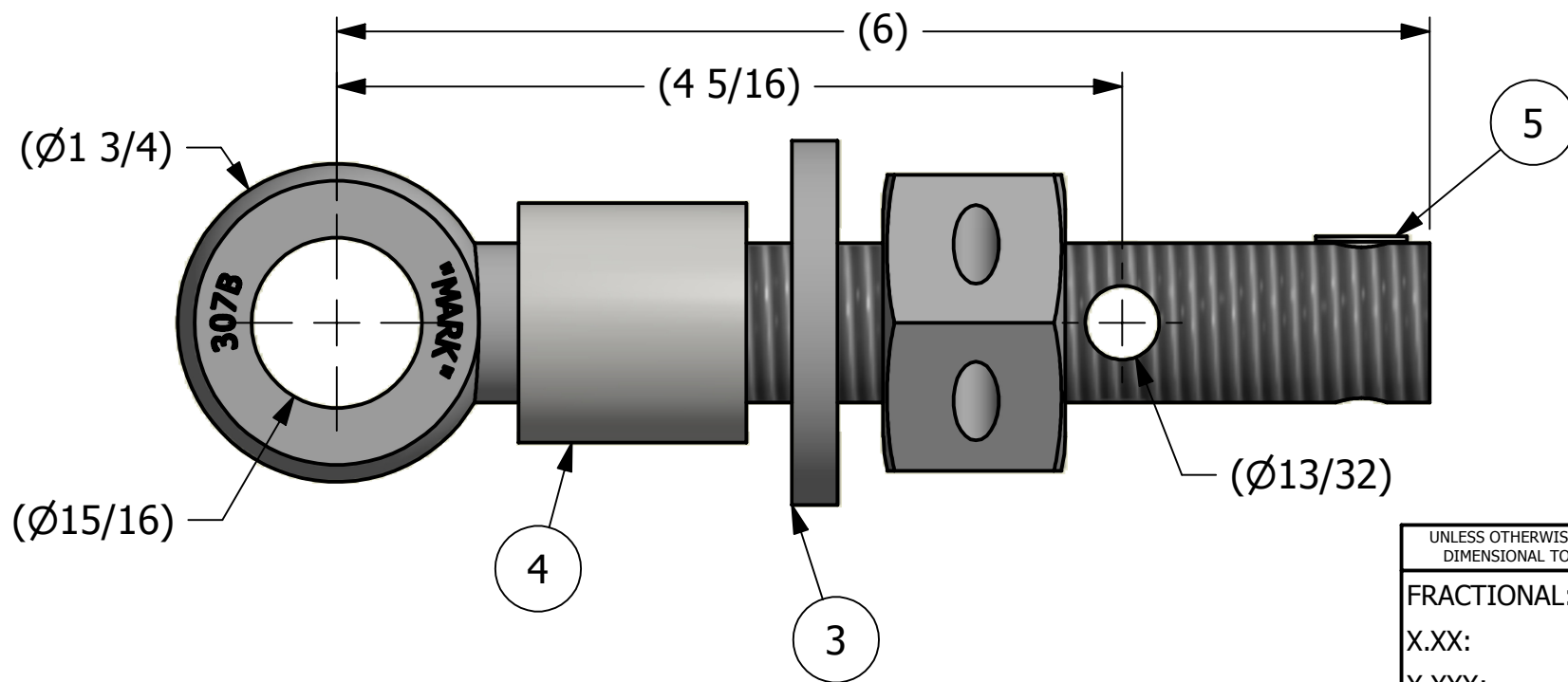
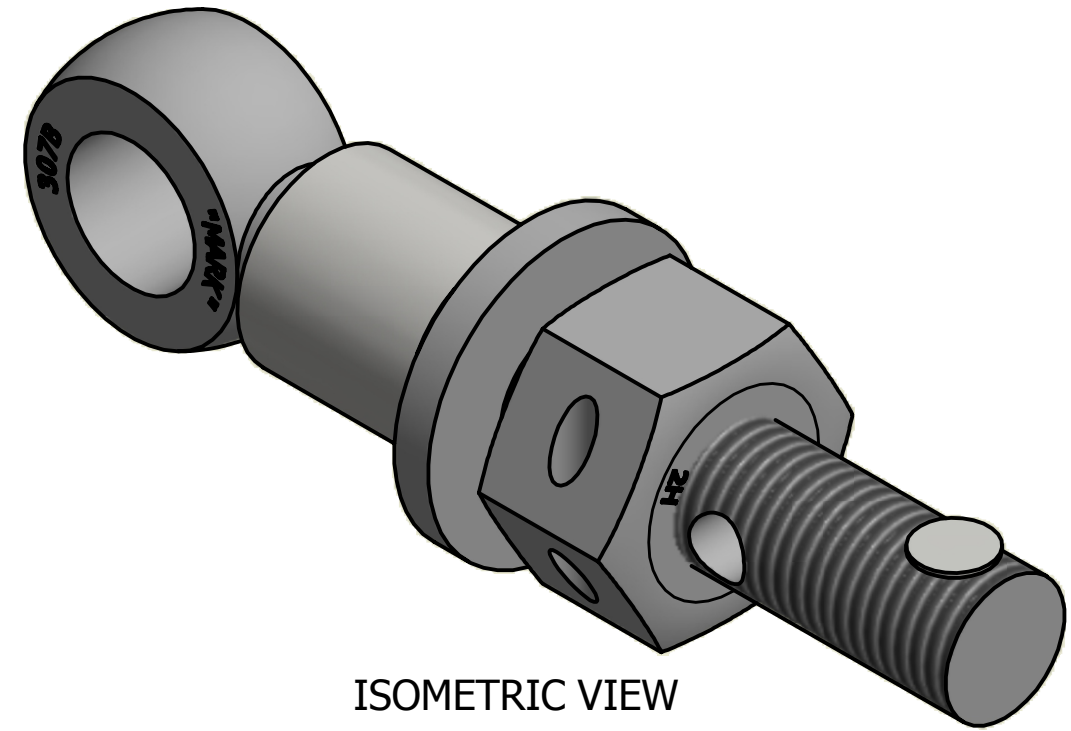
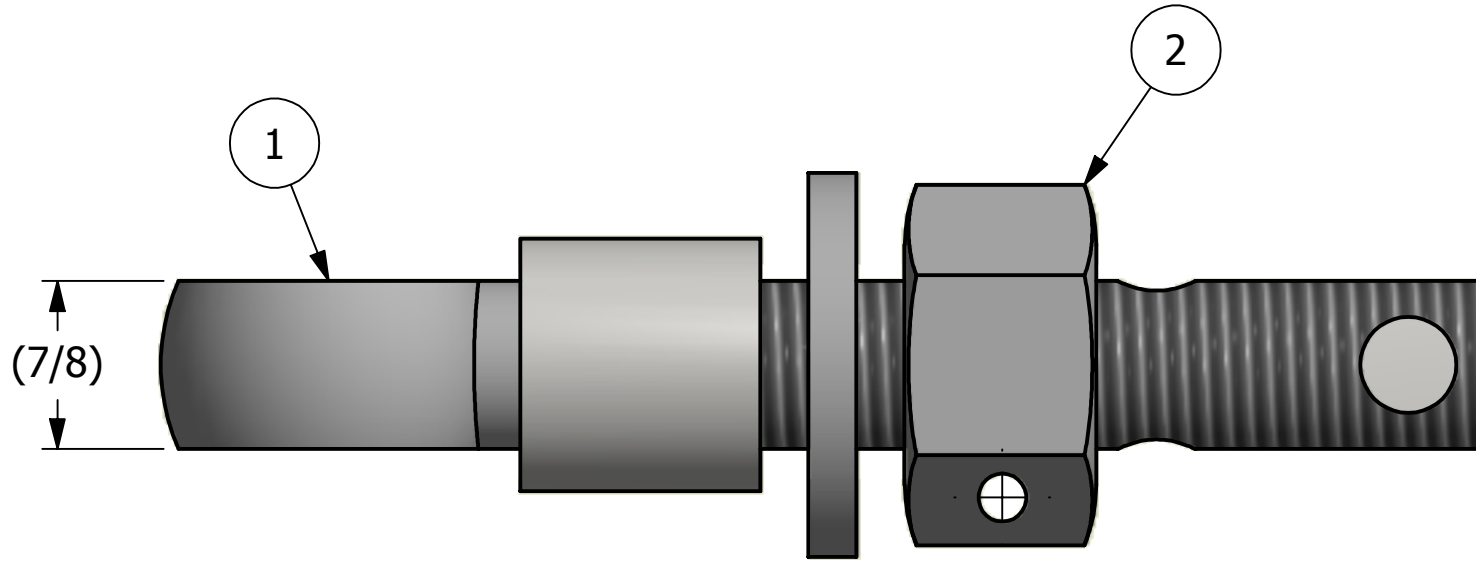


NO.	PART NAME	PART#	REQ'D	MATERIAL
1	EYEBOLT 7/8"X6"	EBR786HR	1	CARBON STEEL
2	HEAVY HEX NUT 7/8"-9	N78XSH	1	CARBON STEEL
3	FLAT WASHER 7/8"	WASH78T	1	CARBON STEEL
4	SAFETY COLLAR 1"	COLLAR1	1	CARBON STEEL
5	HUCK RIVET 1/4"X13/16"	A16204	1	304 SS



REV	BY	DATE	DESCRIPTION
B	BRG	12-22-08	UPDATED EYEBOLT MATERIAL
A	CHL	11-13-06	NEW PART ADDED TO SYSTEM

UNLESS OTHERWISE SPECIFIED DIMENSIONAL TOLERANCES		DRAWN BY:	CHL
FRACTIONAL:	±1/16	CHECKED BY:	ACC
X.XX:	±.03	PROTOTYPE BY:	CHL
X.XXX:	±.015	PROTOTYPE DATE:	4/26/2006
ANGULAR:	±1°	APPROVED FOR PRODUCTION BY:	ACC
THIS PRINT, PROPERTY OF SALCO PRODUCTS INC., CONTAINS PROPRIETARY INFORMATION AND MUST NOT BE COPIED, REPRODUCED, OR USED DETRIMENTALLY TO OUR INTEREST.		PRODUCTION DATE:	5/25/2006
THIRD ANGLE PROJECTION			

SALCO PRODUCTS, INC.		
PART NAME: EYEBOLT ASSEMBLY 7/8"X6"		
MATERIAL: SEE BOM		
PROJECT #:	WAG0318	SHEET #: 1 OF 1
DRAWING #:	B21869	PART #: EB786X2HHAC
SCALE: 1:1		