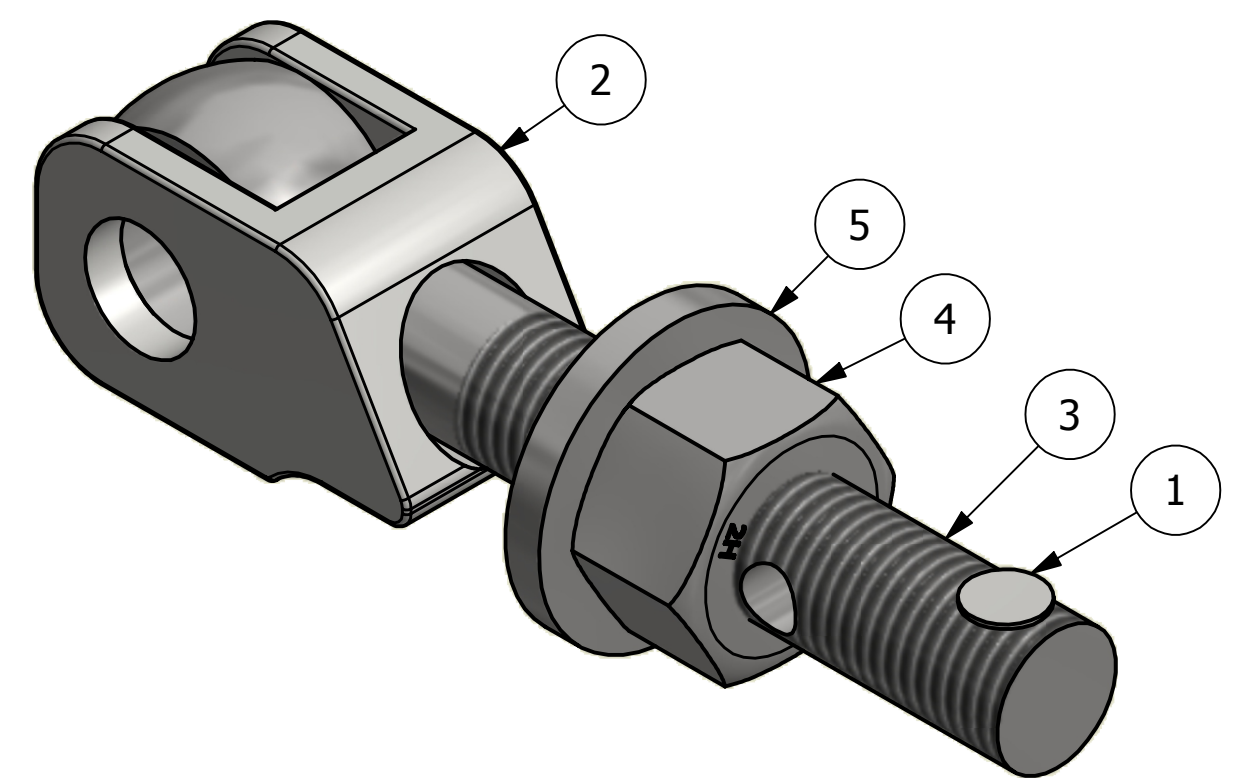


NO	PART NAME	PART#	REQ'D	MATERIAL
1	HUCK RIVET 1/4"X13/16"	A16204	1	304 SS
2	EYEBOLT SAFETY CATCH 7/8"	DEB275SC	1	316 SS
3	EYEBOLT 7/8"X6"	EBR786HR	1	CS
4	HEAVY HEX NUT 7/8"-9	N78X	1	CS
5	FLAT WASHER 7/8"	WASH78T	1	CS



ISOMETRIC VIEW

REV	BY	DATE	DESCRIPTION
B	JG	12-13-17	UPDATED TITLE BLOCK, DIMS, (Ø1 3/4) WAS (Ø2)
A	CHL	9-21-10	DRAWING ADDED TO NETWORK

UNLESS OTHERWISE SPECIFIED DIMENSIONAL TOLERANCES FRACTIONAL: ±1/16 X.XX: ±.03 X.XXX: ±.015 ANGULAR: ±1° DEBURR ALL SHARP EDGES. ALL MACHINED SURFACES TO HAVE A 125 RMS FINISH UNLESS NOTED OTHERWISE. THIRD ANGLE PROJECTION	DRAWN BY:	CHL
	CHECKED BY:	WRB
	PROTOTYPE BY:	CHL
	PROTOTYPE DATE:	12/11/2008
	APPROVED FOR PRODUCTION BY:	WRB
	PRODUCTION DATE:	9/21/2010

SALCO PRODUCTS, INC.		
PART NAME: EYEBOLT ASSEMBLY 7/8"X6"		
MATERIAL: SEE BOM		
PROJECT #: WAG0624	SHEET #: 1 OF 1	SCALE: 1:1
DRAWING #: B26318	PART #: EB786XHASC3	

THIS PRINT, PROPERTY OF SALCO PRODUCTS INC., CONTAINS PROPRIETARY INFORMATION AND MUST NOT BE COPIED, REPRODUCED, OR USED DETRIMENTALLY TO OUR INTEREST.