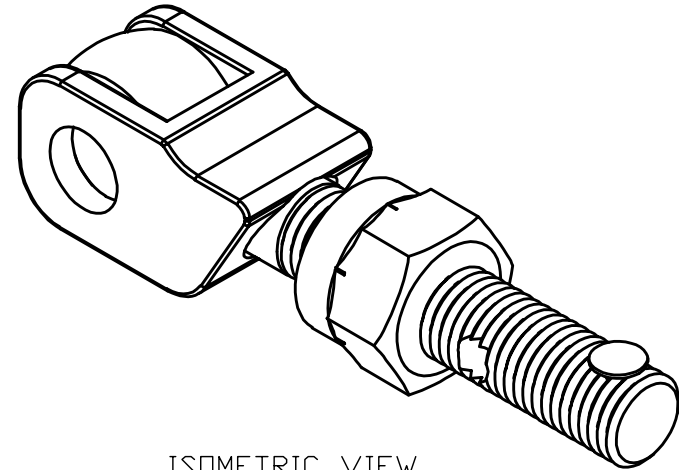
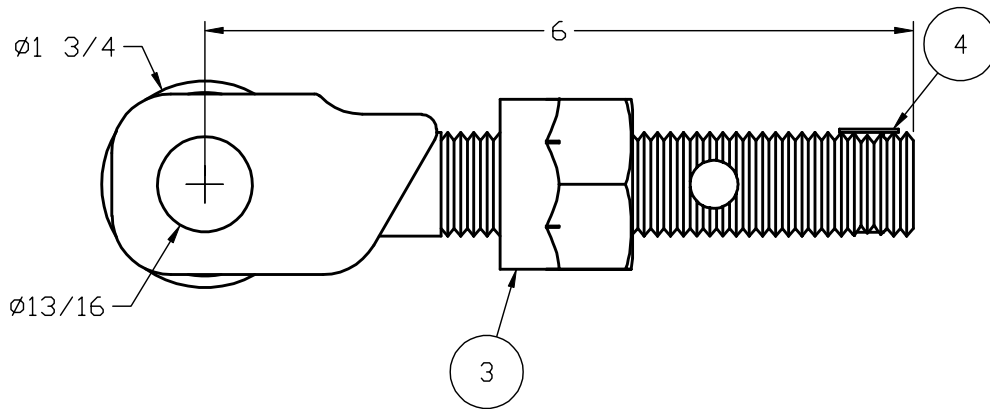
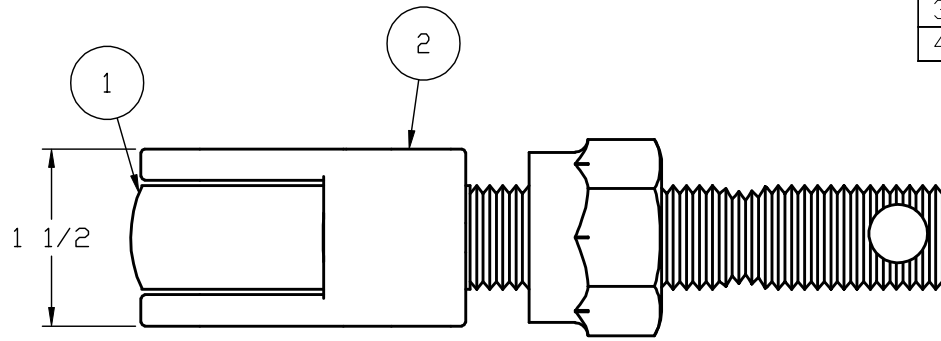




NO.	PART NAME	PART #	REQ'D	MATERIAL
1	EYEBOLT 7/8"X6"	EBR786HS6R	1	316 SS
2	SAFETY CATCH 2 3/4"	DEB275SC	1	316 SS
3	HEAVY HEX FERRULE NUT 7/8"-9	N78XSN	1	CARBON STEEL
4	HUCK RIVET 1/4"X13/16"	A16204	1	316 SS



ISOMETRIC VIEW

NOTE:  
PART NUMBER IS EBR786XSNHAS6SCCN.

A		CHL	7-7-04	NEW PART ADDED TO SYSTEM
REV	BY	DATE	DESCRIPTION	
 				
DRAWN BY: CHL		CHKD BY: ACC	SCALE: 1:1	APPROVAL DATE: 7-7-04
MATERIAL: SEE BOM				
PART NAME: EYEBOLT ASSEMBLY 7/8"X6"				
PROJECT #: WAG0146		PROTOTYPE AND DATE: CHL 6-9-04	APPROVED FOR PRODUCTION: ACC	
DRAWING #: B19277		PART #: SEE NOTE		

UNLESS OTHERWISE SPECIFIED DIMENSIONAL TOLERANCES	
FRACTIONAL	±1/16
X.XX	±0.03
X.XXX	±0.015
ANGULAR	±1°
THIS PRINT, PROPERTY OF SALCO PRODUCTS INC., CONTAINS PROPRIETARY INFORMATION AND MUST NOT BE COPIED, REPRODUCED, OR USED IN WHOLE OR IN PART WITHOUT THE WRITTEN CONSENT OF SALCO PRODUCTS INC.	
THIRD ANGLE PROJECTION	