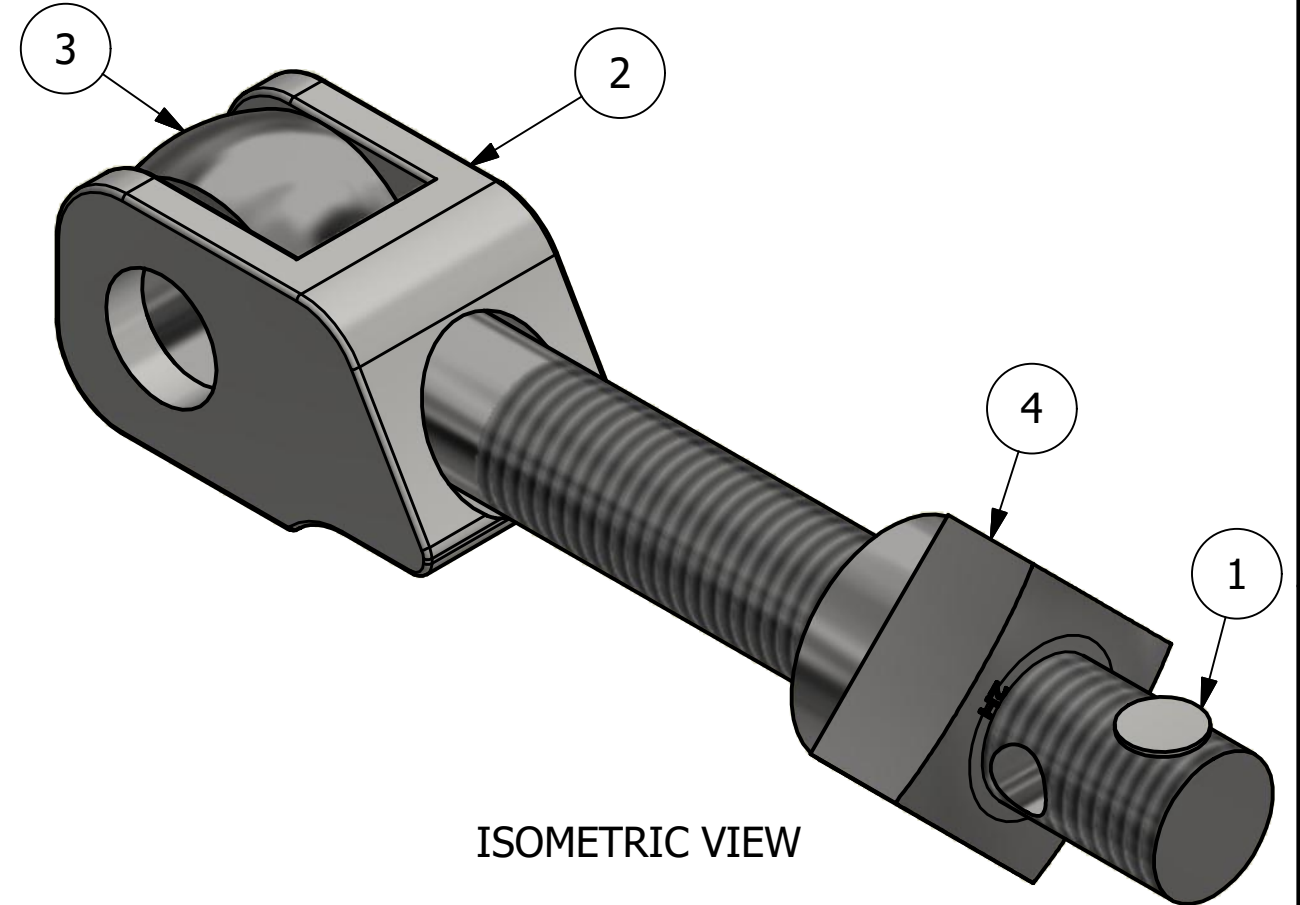
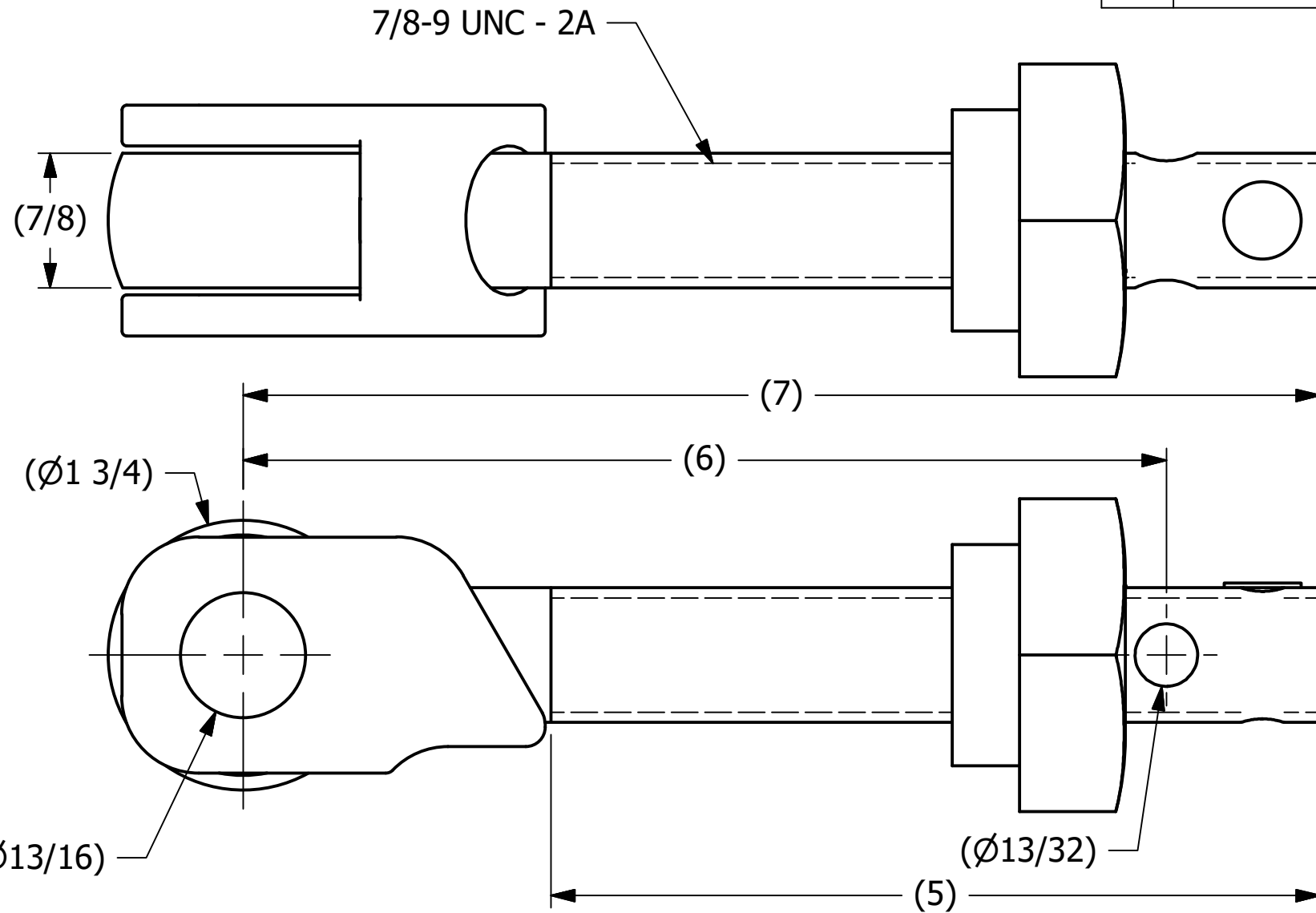


NO	PART NAME	PART#	REQ'D	MATERIAL
1	HUCK RIVET 1/4"X13/16"	A16204	1	304 SS
2	EYEBOLT SAFETY CATCH 7/8"	DEB275SC	1	316 SS
3	EYEBOLT 7/8"X7"	EBR787HS6R	1	316 SS
4	HEAVY SQUARE FERRULE NUT 7/8"-9	N78SN	1	CS



ISOMETRIC VIEW

REV	BY	DATE	DESCRIPTION
A	WEB	11/27/19	UPDATED TO CURRENT STANDARDS; (Ø13/16) WAS (Ø15/16); (7) WAS 7.000; (6) WAS 6.000; REMOVED WELD STOP AND NOTE

<small>UNLESS OTHERWISE SPECIFIED DIMENSIONAL TOLERANCES</small> FRACTIONAL: ±1/16 X.XX: ±.03 X.XXX: ±.015 ANGULAR: ±1° <small>DEBURR ALL SHARP EDGES. ALL MACHINED SURFACES TO HAVE A 125 RMS FINISH UNLESS NOTED OTHERWISE.</small> <small>THIRD ANGLE PROJECTION</small>	DRAWN BY:	CHL
	CHECKED BY:	ACC
	PROTOTYPE DATE:	
	APPROVED FOR PRODUCTION BY:	ACC
	PRODUCTION DATE:	1/10/2003
	SIZE:	B
	DRAWING #:	17538

SALCO PRODUCTS, INC.

PART NAME: **EYEBOLT ASSEMBLY 7/8"X7"**

MATERIAL: **SEE BOM**

PROJECT #: _____ SHEET #: **1 OF 1** SCALE: **1:1**

PART #: **EB787HAS6SC**