

APPLICATION FOR RENEWAL OF APPROVAL FOR PRESSURE RELIEF DEVICES, VALVES, CLOSURES, AND FITTINGS

1. AAR APPROVAL No. E202141
 2. Date of Application 10/01/2019
 3. Previous AAR Approval E-099034
4. Applicant: Salco Products Inc.
 5. Address: 1385 101st Street, Suite A, Lemont IL 60439
 6. Drawing No. D13087 7. Latest rev. Q 8. Date of latest rev. 02/08/2018
 9. Description of device: Vacuum Relief Valve 2 12" 10. Device ID No. VVN25S41XXA

CERTIFICATION: The subject device is **unchanged** from the previous approval, and conforms with the latest revision of AAR Specifications for Tank Cars, Appendix A. The device conforms with drawing listed above.

11. By: _____ Title: _____

If device is **changed** since latest approval, fill in the following blanks

12. Reference Previous Drawing	New Drawing	If on Service Trial
No. <u>VVN25S41XXA</u> Rev. <u>H</u> Date <u>9/12/08</u>	No. <u>VVN25S41XXA</u> Rev. <u>Q</u> Date <u>2/8/18</u>	S.T. No. _____
No. _____ Rev. _____ Date _____	No. _____ Rev. _____ Date _____	S.T. No. _____
No. _____ Rev. _____ Date _____	No. _____ Rev. _____ Date _____	S.T. No. _____

13. New drawing supersedes previous one or does not obsolete it

CHANGES

REASONS FOR CHANGES

- | | |
|--|--|
| 14. a. <u>Updated notes, and added charts, updated AAR #</u>
b. _____
c. _____
d. _____
(if needed use supplemental sheet) | a. <u>Reorganized old drawing into a new chart</u>
b. <u>drawing.</u>
c. _____
d. _____ |
|--|--|

15. Normal operational effect of changes of device: None - These are clerical updates to the drawing structure and notes.

16. Drawing submitted with this application: VVN25S41XXA

CERTIFICATION: The above data is correct and conforms with AAR Specifications for Tank Cars, Appendix A. The device conforms with drawing listed above.

17. By: _____ Title: _____

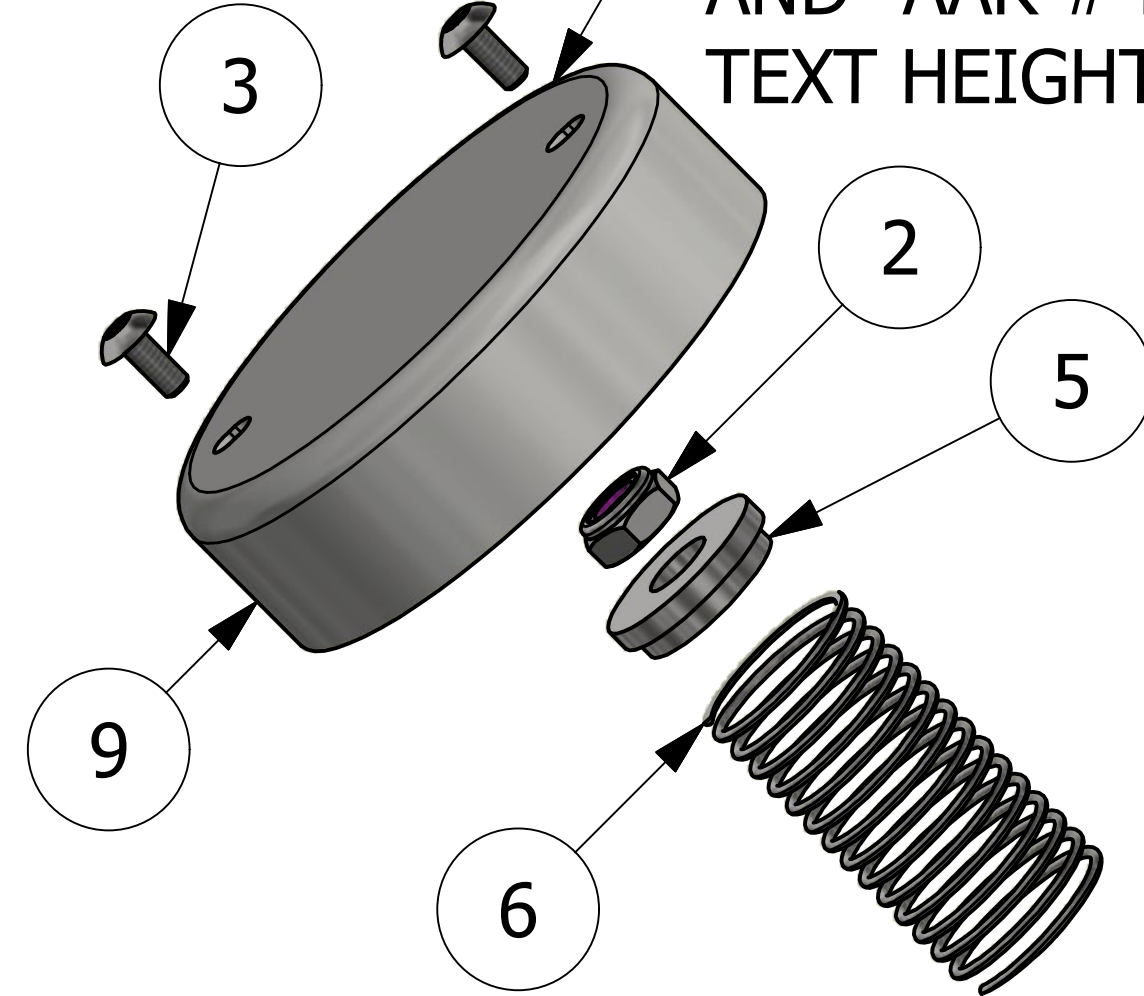
APPROVAL AAR Tank Car Committee:

Date Approved: 8/11/2020



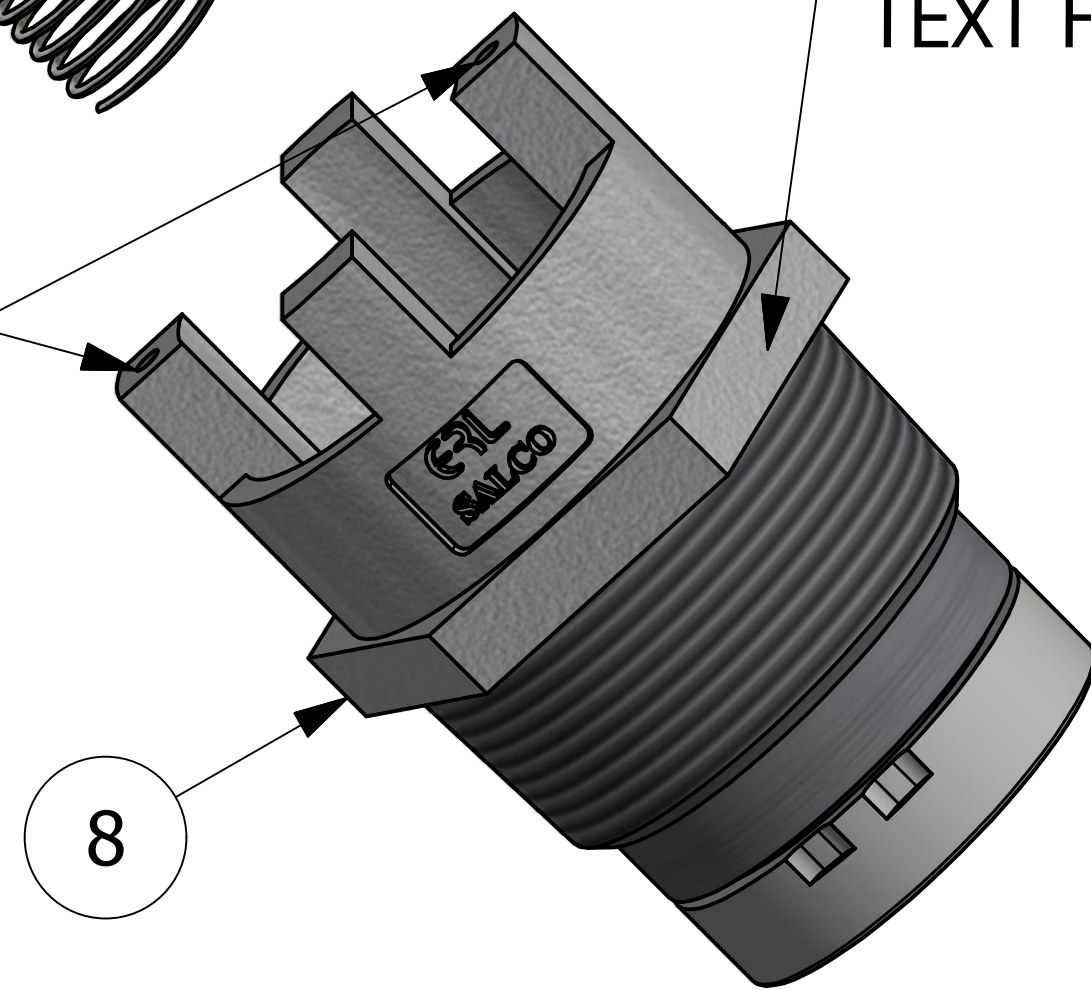
(Signature) on behalf of Committee

AFFIX LABEL ON TOP OF CAP
ENGRAVE "SET VACUUM 3/4 PSIG",
"VVN25S41XXA", "NITRILE",
AND "AAR # E-202141" TO TOP OF CAP
TEXT HEIGHT .1" MINIMUM



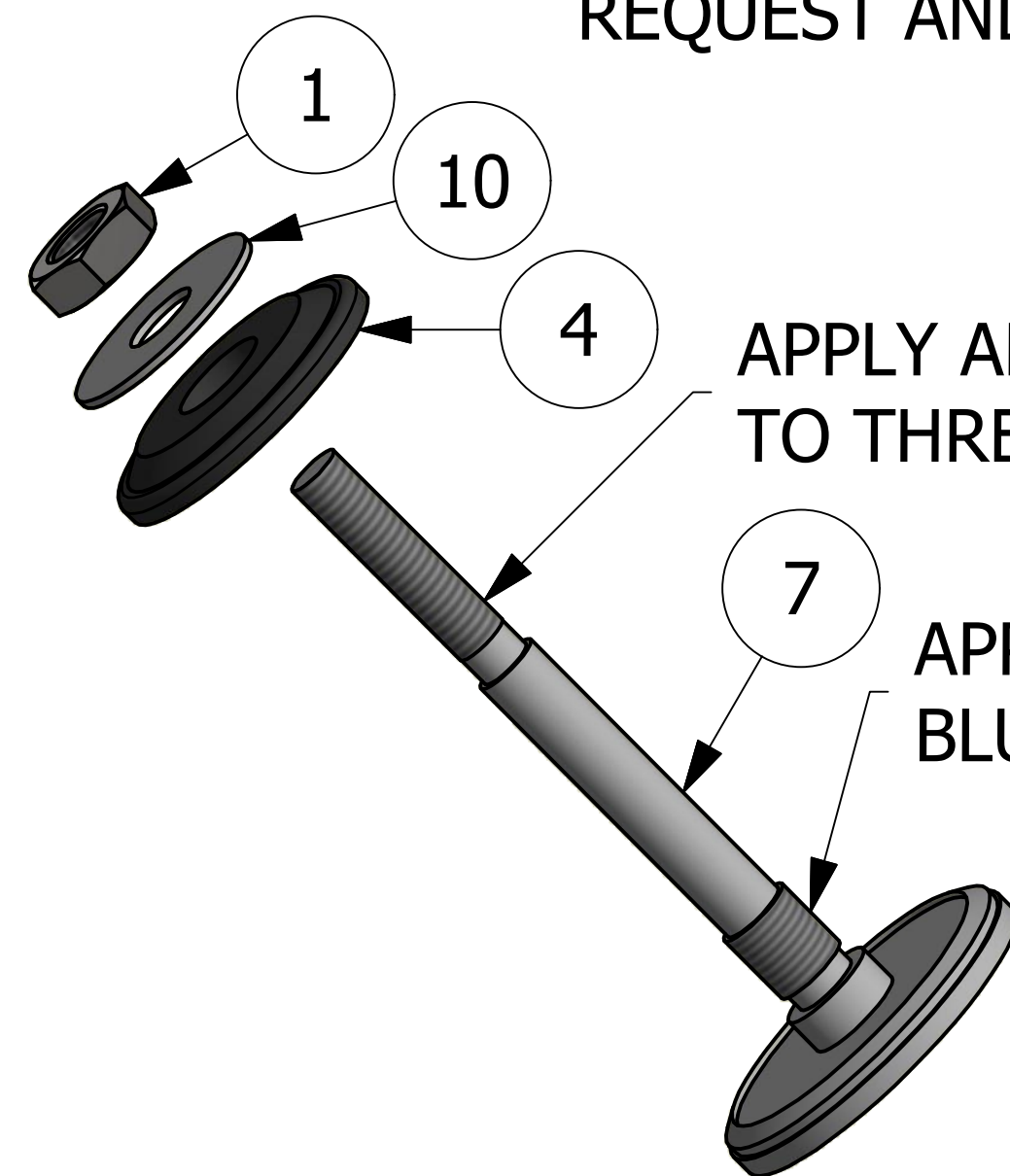
MARK PER Q-2.14
TEXT HEIGHT .1" MINIMUM

APPLY ANTI-SEIZE
TO THREADS



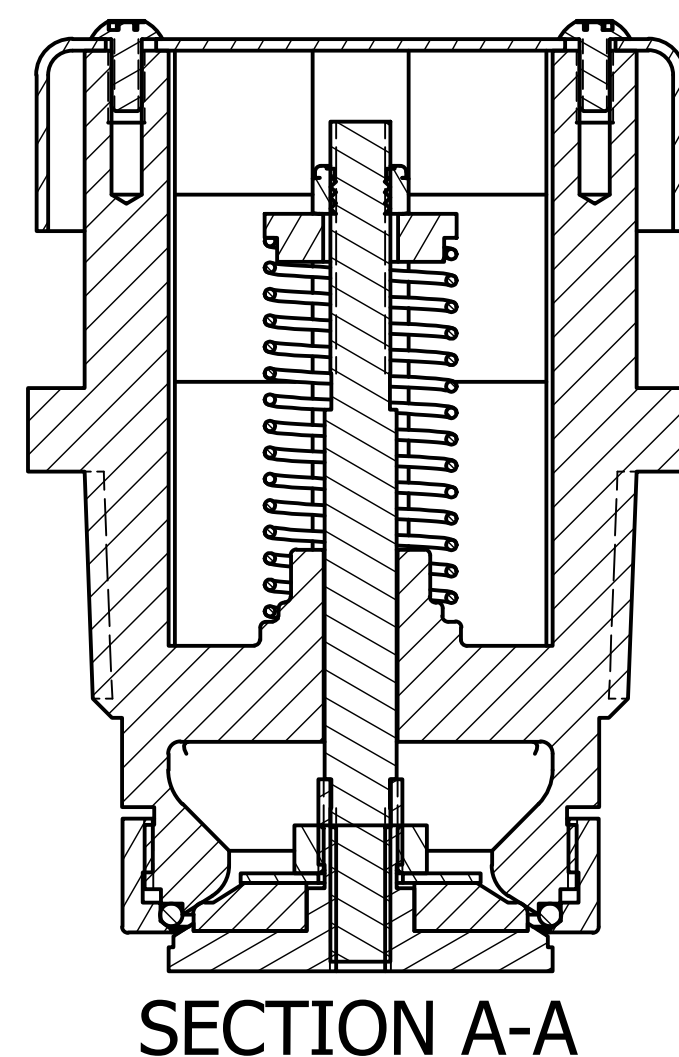
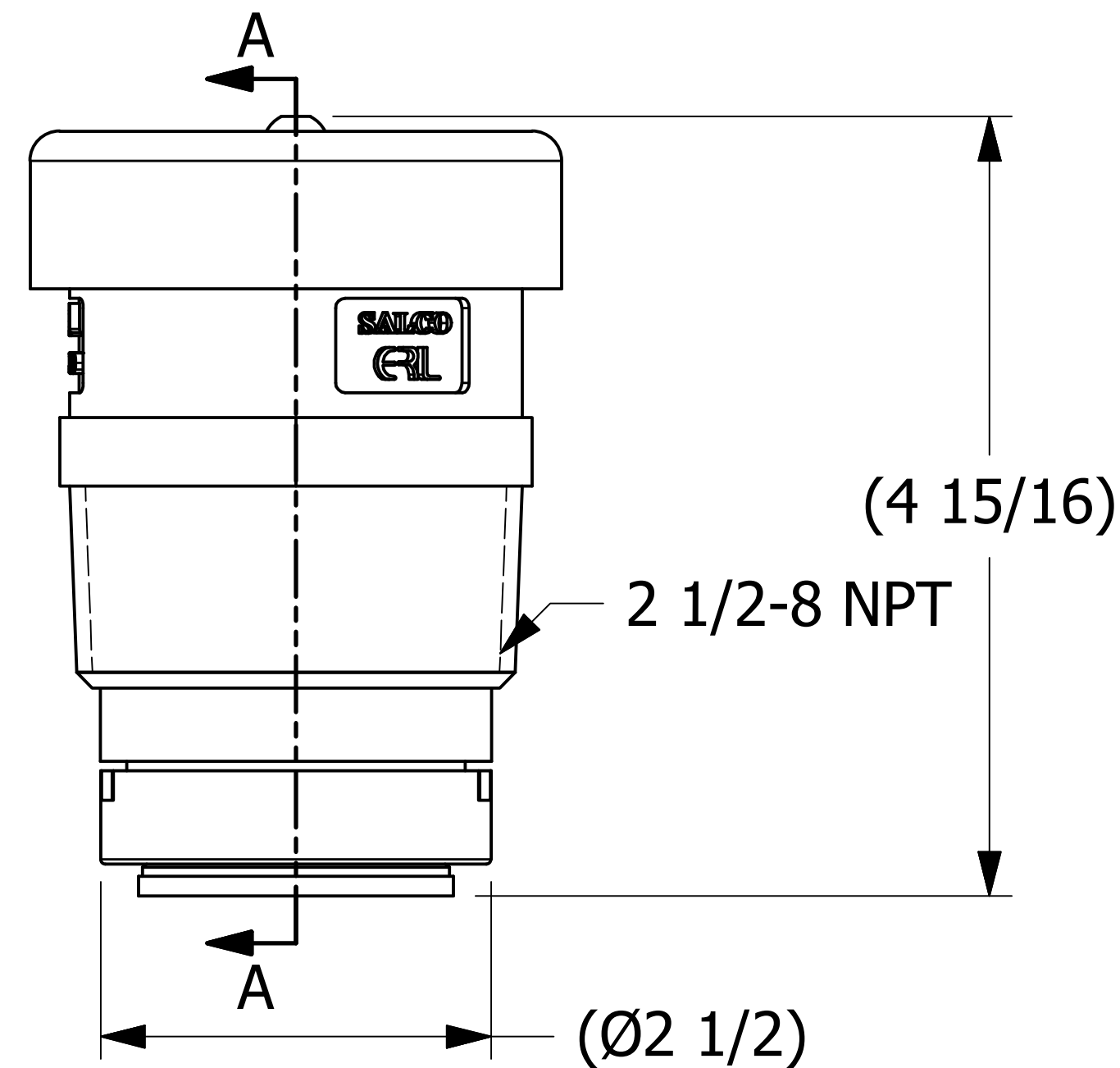
NOTES:

1. VALVE BODY IS 304 SS WITH TEFLON ENCAPSULATED SILICONE O-RING.
2. VACUUM RATING IS 1.53" OF Hg (-.75 PSI) PER APPENDIX A, SECTION 4.10 OF AAR TANK CAR MANUAL.
3. AAR APPROVAL # E-202141.
4. TEST PER Q-2.15.7.
5. SEE DOCUMENT Q-2.14 FOR MARKING PROCEDURE.
6. GASKET MATERIAL (XX) IS BASED ON CUSTOMER REQUEST AND CHEMICAL COMPATIBILITY.



APPLY ANTI-SEIZE
TO THREADS

APPLY DROP OF
BLUE THREADLOCKER



PART NUMBER
VVN25S41XXXA
VVN25S41XXXFA
VVN25S41XXXFTA
VVN25S41XXXTA
VVN25S43XXXA
VVN25S43XXXFA
VVN25S44XXXFA
VVN25S45XXXA
VVN25S45XXXTA

NO.	PART NAME	PART #	REQ'D	MATERIAL
1	HEX JAM NUT 7/16"-20	N716S	1	18-8 SS
2	HEX LOCK NUT 5/16"-18	R20ANS	1	18-8 SS
3	TAMPER RESISTANT SCREW 10-32 X 3/8"	TRS1032SS	2	302 SS
4	VACUUM RELIEF VALVE GASKET 2 1/2"	VV2501G	1	BLACK NITRILE
5	VACUUM RELIEF VALVE BUSHING 2 1/2"	VV25S41SB	1	303 SS
6	SPRING 1" X 3 1/2"	VV25S41SP	1	18-8 SS
7	VACUUM RELIEF VALVE STEM 2 1/2"	VVN25S4SA	1	304 SS
8	VACUUM RELIEF VALVE BODY ASSEMBLY 2 1/2"	VVN25S4VBA	1	304 SS
9	VACUUM RELIEF VALVE CAP	VVNS4TC	1	304 SS
10	FLAT WASHER 7/16"	WASH716S	1	18-8 SS
11	LABEL (NOT SHOWN)	VVNLBL	1	VINYL

R	CHL	8/18/20	AAR APPROVAL # WAS E-099034, UPDATE TITLEBLOCK
Q	CHL	2/8/18	Q-2.14 WAS QAP5A-1; Q-2.15.7 WAS QAP4C-1, ADDED SHEET 2, CHART
P	RJP	8/5/14	TRS1032SS WAS BHCS73742
O	WEB	2/6/14	CHANGED "VVN25" TO PART NUMBER
N	RJP	1/10/14	UPDATED TITLE BLOCK
M	WRB	11/29/12	ADDED TEXT SIZE & "NITRILE" MARKING TO CAP
L	GS	11/26/12	ADDED MARK PER QAP5A-1 NOTE & NEW TITLE BLOCK
K	TAJ	2/28/12	ADDED SERIAL # NOTE
J	BG	5/7/12	UPDATED VVN25S4VBA & REPLACED BHCS1034S W/BHCS73742
I	CHL	1/29/10	AAR APPROVAL # WAS E-999001
H	WRB	9/12/08	UPDATED TO CURRENT 3D STANDARDS, ADDED NOTESREMOVED WASH316S AND CORRECTED BOM ERRORS
G	ACC	3/24/05	ADDED HEX TO BODY, REMOVED CHARTADDED STAMPING NOTE & ADDED VV2501G TO BOM
F	ACC	2/6/04	ADDED VVN25S4125A TO CHART
E	ACC	5/2/03	ADDED LABEL TO BOM
D	CHL	11/14/02	ADDED VVN25S4112A TO CHART
C	CHL	1/11/00	ADDED SUBASSEMBLIES & GASKET PART NUMBERS
B	ACC	3/30/99	REMOVED CROSS BAR
A	ACC	2/23/99	ADDED AAR APPLICATION
REV	BY	DATE	DESCRIPTION

UNLESS OTHERWISE SPECIFIED DIMENSIONAL TOLERANCES	DRAWN BY:	ACC
FRACTIONAL: ±1/16	CHECKED BY:	AVD
X.XX: ±.03	PROTOTYPE DATE:	1/18/1999
X.XXX: ±.015	APPROVED FOR PRODUCTION BY:	ACC
ANGULAR: ±1°	PRODUCTION DATE:	1/21/1999
DEBURR ALL SHARP EDGES. ALL MACHINED SURFACES TO HAVE A 125 RMS FINISH. UNLESS NOTED OTHERWISE. THIRD ANGLE PROJECTION	SIZE:	D
	DRAWING #:	13087

SALCO PRODUCTS, INC.

PART NAME: **VACUUM RELIEF VALVE 2 1/2" THREADED**

MATERIAL: **SEE BOM**

PROJECT #: **970312**

SHEET #: **1 OF 2**

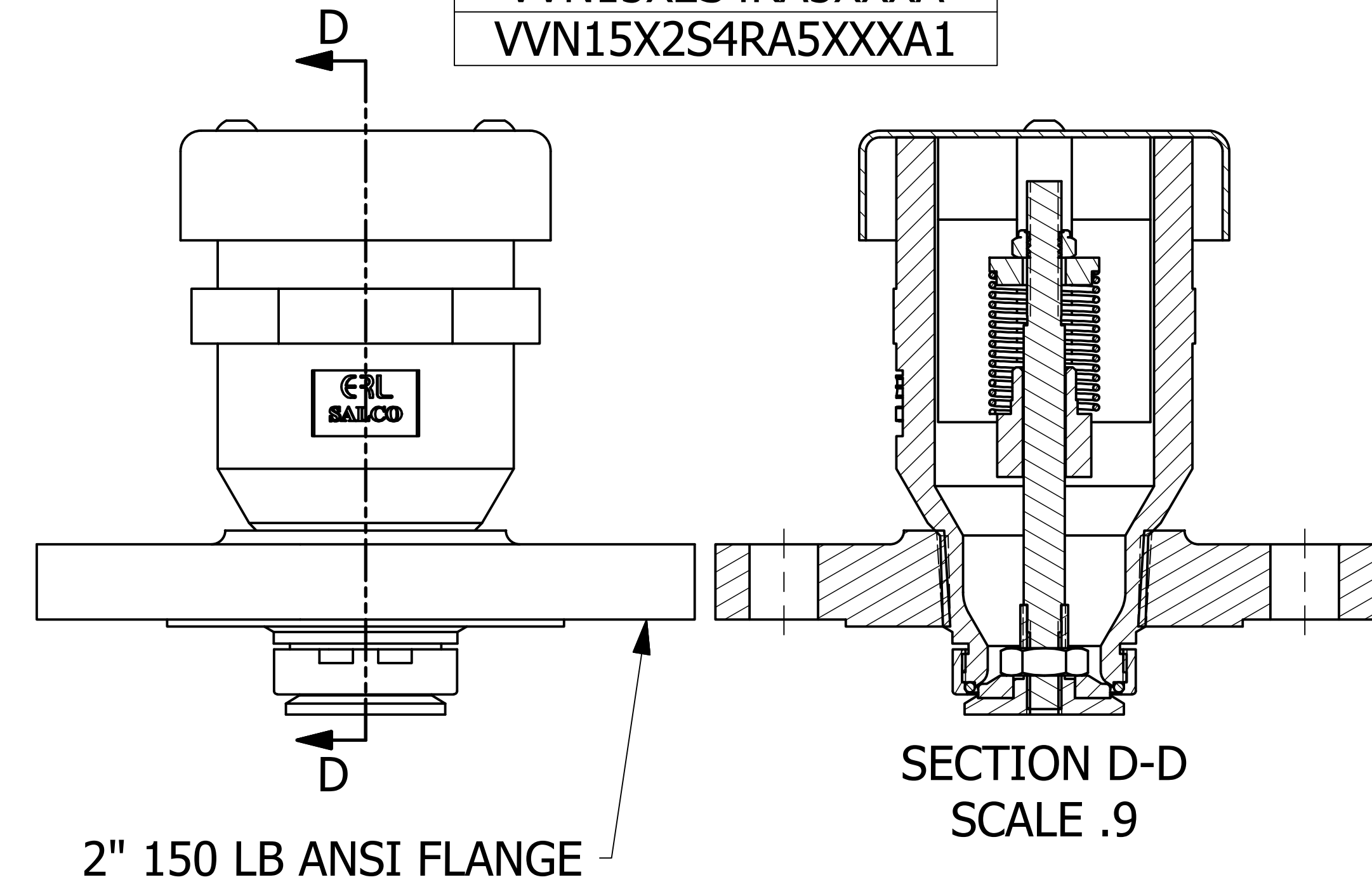
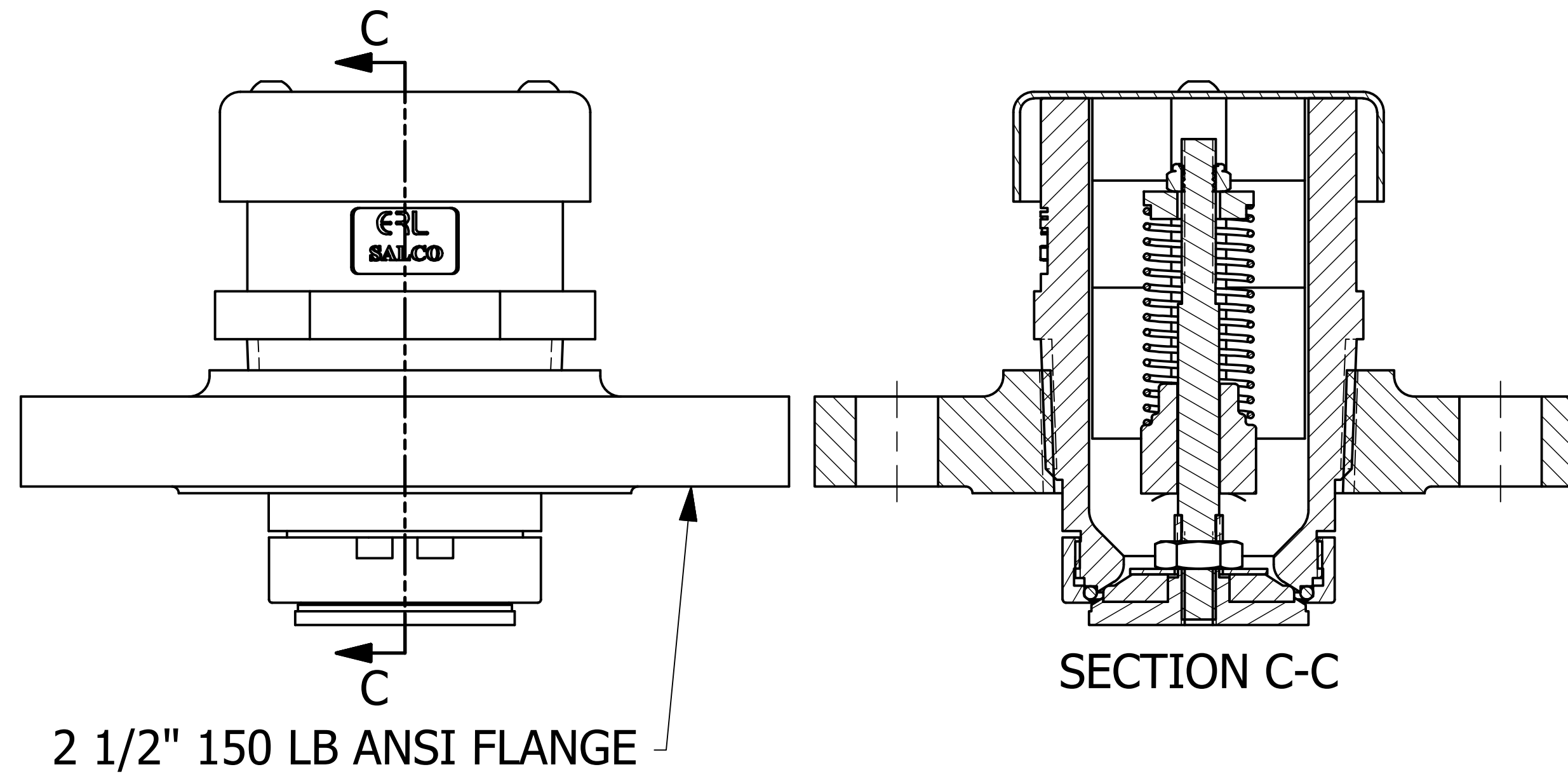
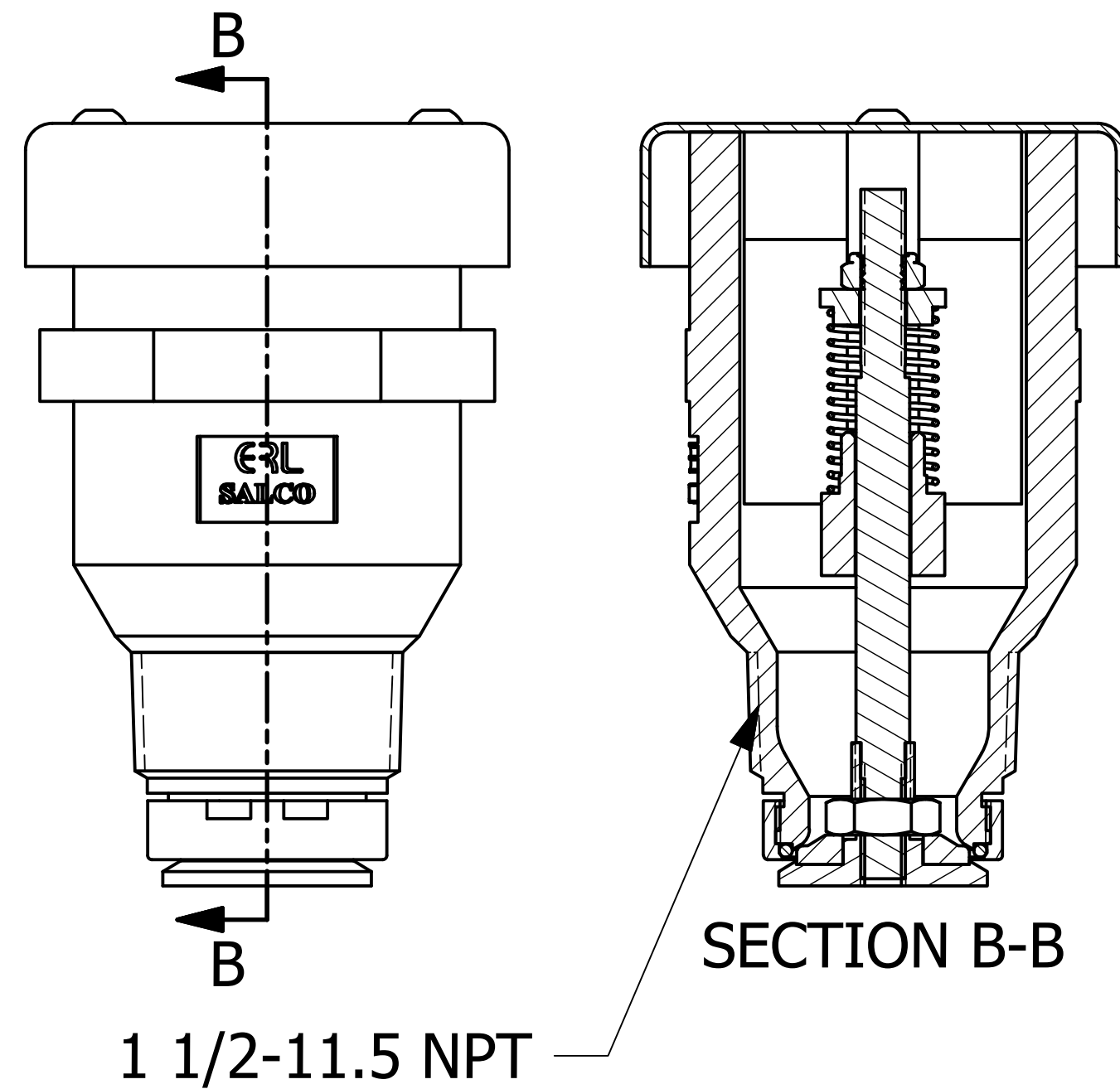
SCALE: **1 : 1**

PART #: **VVN25S41XXA**

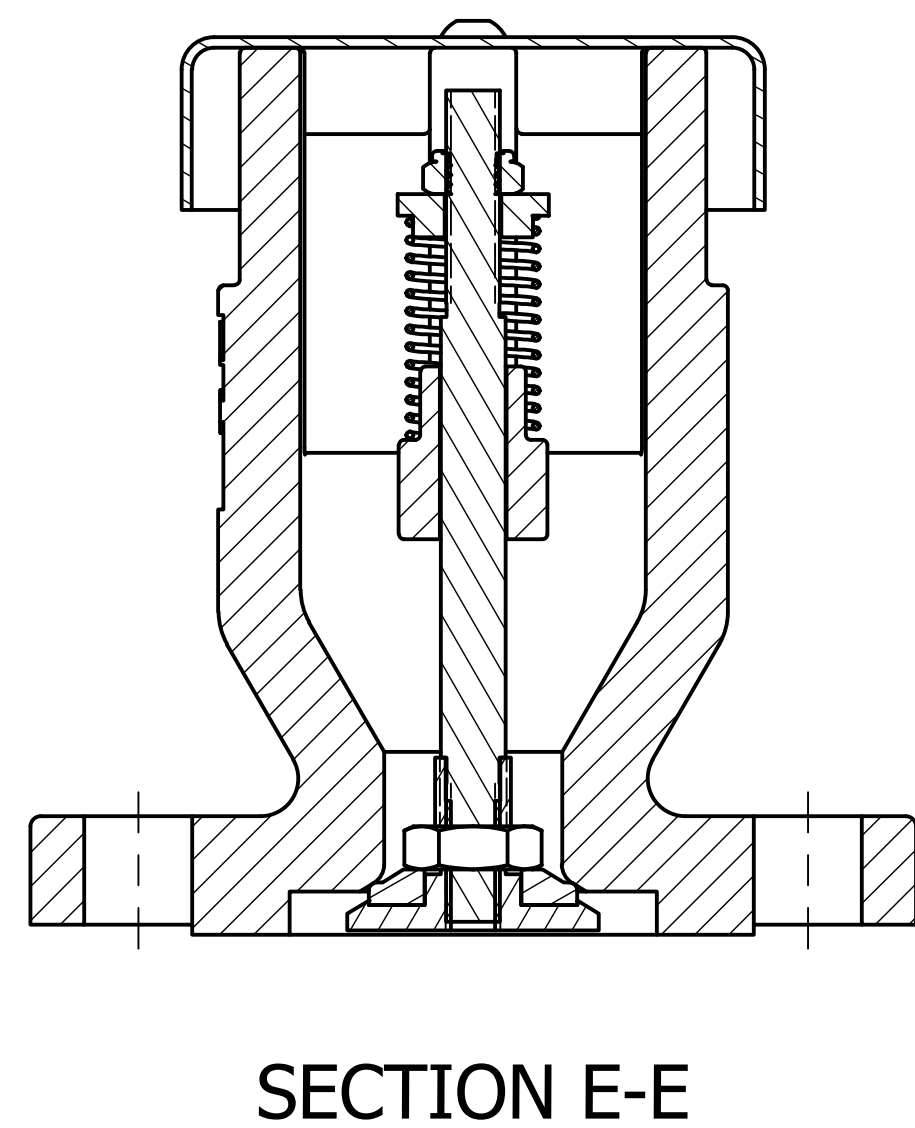
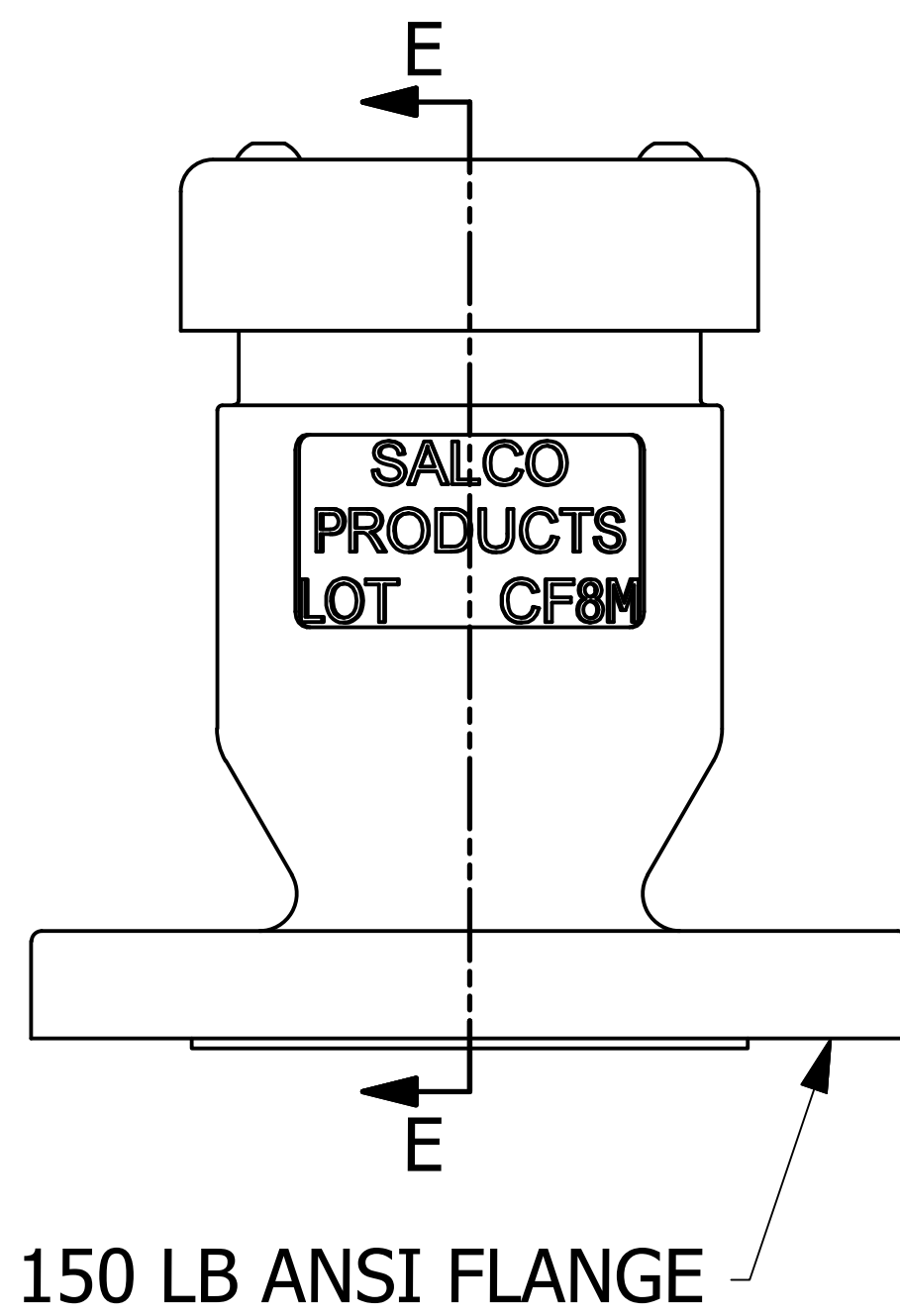
1 1/2" THREADED VRV
 PART NUMBER
 VVN15S41XXXA
 VVN15S41XXXTA
 VVN15S41XXXFA
 VVN15S45XXXA

2 1/2" FLANGED VRV
 PART NUMBER
 VVN25S4RA1XXXA
 VVN25S4RA5XXXA

1 1/2" X 2" FLANGED VRV
 PART NUMBER
 VVN15X2S4RA3XXXA
 VVN15X2S4RA3XXXA1
 VVN15X2S4RA5XXXA
 VVN15X2S4RA5XXXA1



1 1/2" FLANGED VRV



PART NUMBER	PART NUMBER	PART NUMBER	PART NUMBER
VVN15S6FA1XXXA	VVN15S6FA6XXXA	VVN15S6RA3XXXA	VVN15S6RA8XXXA
VVN15S6FA1XXXFA	VVN15S6FA6XXXFA	VVN15S6RA3XXXFA	VVN15S6RA8XXXFA
VVN15S6FA1XXXTA	VVN15S6FA6XXXTA	VVN15S6RA3XXXTA	VVN15S6RA8XXXTA
VVN15S6FA1XXXFTA	VVN15S6FA6XXXFTA	VVN15S6RA3XXXFTA	VVN15S6RA8XXXFTA
VVN15S6FA2XXXA	VVN15S6FA7XXXA	VVN15S6RA4XXXA	
VVN15S6FA2XXXFA	VVN15S6FA7XXXFA	VVN15S6RA4XXXFA	
VVN15S6FA2XXXTA	VVN15S6FA7XXXTA	VVN15S6RA4XXXTA	
VVN15S6FA2XXXFTA	VVN15S6FA7XXXFTA	VVN15S6RA4XXXFTA	
VVN15S6FA3XXXA	VVN15S6FA8XXXA	VVN15S6RA5XXXA	
VVN15S6FA3XXXFA	VVN15S6FA8XXXFA	VVN15S6RA5XXXFA	
VVN15S6FA3XXXTA	VVN15S6FA8XXXTA	VVN15S6RA5XXXTA	
VVN15S6FA3XXXFTA	VVN15S6FA8XXXFTA	VVN15S6RA5XXXFTA	
VVN15S6FA4XXXA	VVN15S6RA1XXXA	VVN15S6RA6XXXA	
VVN15S6FA4XXXFA	VVN15S6RA1XXXFA	VVN15S6RA6XXXFA	
VVN15S6FA4XXXTA	VVN15S6RA1XXXTA	VVN15S6RA6XXXTA	
VVN15S6FA4XXXFTA	VVN15S6RA1XXXFTA	VVN15S6RA6XXXFTA	
VVN15S6FA5XXXA	VVN15S6RA2XXXA	VVN15S6RA7XXXA	
VVN15S6FA5XXXFA	VVN15S6RA2XXXFA	VVN15S6RA7XXXFA	
VVN15S6FA5XXXTA	VVN15S6RA2XXXTA	VVN15S6RA7XXXTA	
VVN15S6FA5XXXFTA	VVN15S6RA2XXXFTA	VVN15S6RA7XXXFTA	