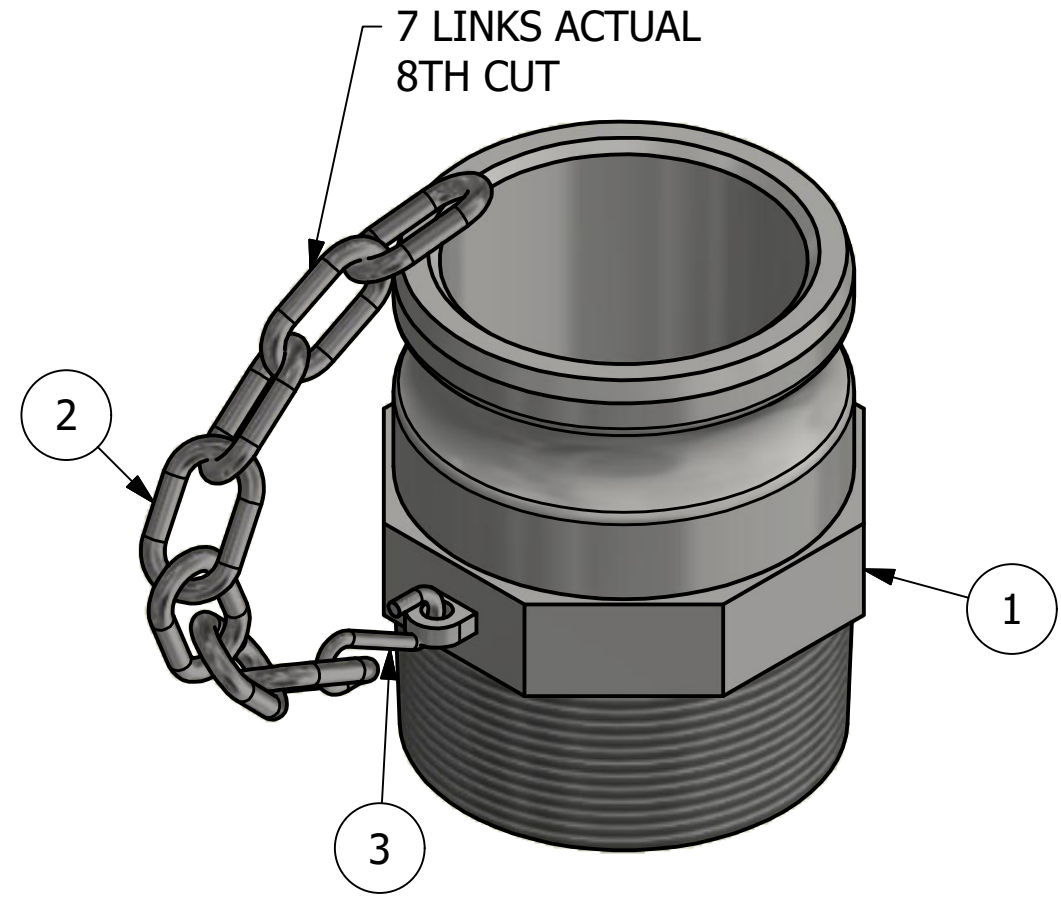


NO.	PART NAME	PART #	REQ'D	MATERIAL
1	ADAPTER 3"	K3SMP	1	316 SS
2	CHAIN LINK 3/16"	SC28SS	8	18-8 SS
3	S-HOOK 1/8"X1 3/8"	SH74612	1	316 SS



REV	BY	DATE	DESCRIPTION
C	WEB	10/6/22	REPLACED SC316SHS W/ SH74612; UPDATED TITLE BLOCK
B	CHL	6/26/14	REPLACED SCA115R4A & SC25SHS W/SH316SHS
A	JRS	9/15/11	DRAWING ADDED TO NETWORK

<small>UNLESS OTHERWISE SPECIFIED DIMENSIONAL TOLERANCES</small> FRACTIONAL: $\pm 1/16$ X.XX: $\pm .03$ X.XXX: $\pm .015$ ANGULAR: $\pm 1^\circ$ <small>DEBURR ALL SHARP EDGES. ALL MACHINED SURFACES TO HAVE A 125 RMS FINISH UNLESS NOTED OTHERWISE.</small>	DRAWN BY:	CHL
	CHECKED BY:	VD
	PROTOTYPE DATE:	5/18/2011
	APPROVED FOR PRODUCTION BY:	VD
	PRODUCTION DATE:	9/15/2011
	SIZE:	B
THIRD ANGLE PROJECTION	DRAWING #:	30828

SALCO PRODUCTS, INC.

PART NAME: **ADAPTER 3"**

MATERIAL: **SEE BOM**

PROJECT #: **WAG0733** SHEET #: **1 OF 1** SCALE: **2:3**

PART #: **K3SMPA**