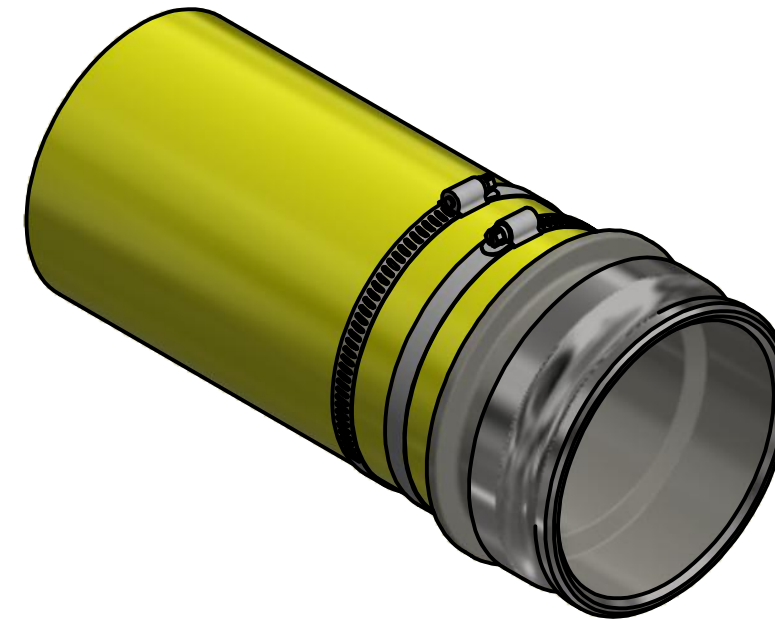
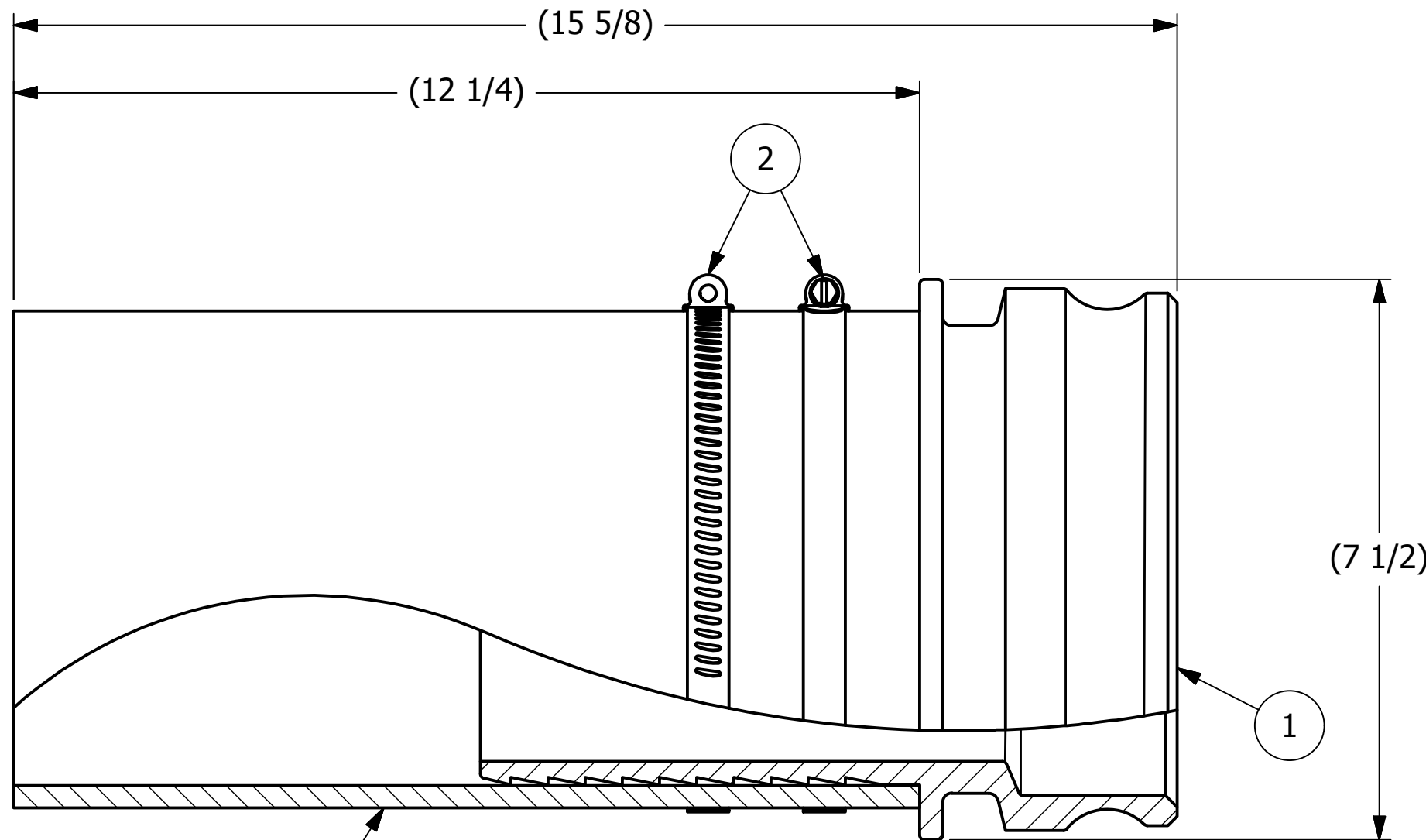


NO.	PART NAME	PART #	REQ'D	MATERIAL
1	MALE 6" HOSE ADAPTER	UN6AHA	1	ALUMINUM
2	WORM DRIVE CLAMP 5 5/8" - 8 1/2"	UN6CL	2	316 SS
3	UNLOAD COUPLING	UN12P6	1	POLYURETHANE



ISOMETRIC VIEW

REV	BY	DATE	DESCRIPTION
D	RS	10/14/22	UPDATED DRAWING FOR INVENTOR
C	FOD	8/24/99	UPDATE DRAWING WITH NEW DIMS FOR UN6AHA, NEW TITLEBOLCK
B	ACC	3/21/96	UPDATED BOM
A	DRW	2/14/95	RELEASED FOR PRODUCTION

UNLESS OTHERWISE SPECIFIED DIMENSIONAL TOLERANCES		DRAWN BY:	RS
FRACTIONAL:	±1/16	CHECKED BY:	GMB
X.XX:	±.03	PROTOTYPE DATE:	10/7/2022
X.XXX:	±.015	APPROVED FOR PRODUCTION BY:	GMB
ANGULAR:	±1°	PRODUCTION DATE:	10/11/2022
DEBURR ALL SHARP EDGES. ALL MACHINED SURFACES TO HAVE A 125 RMS FINISH UNLESS NOTED OTHERWISE.		SIZE:	B
THIRD ANGLE PROJECTION		DRAWING #:	7234

SALCO PRODUCTS, INC.

PART NAME:
6" MALE HOSE COUPLER ASSEMBLY

MATERIAL: **SEE BOM**

PROJECT #: **C220101T** SHEET #: **1 OF 1** SCALE: **1:4**

PART #:
UC6A