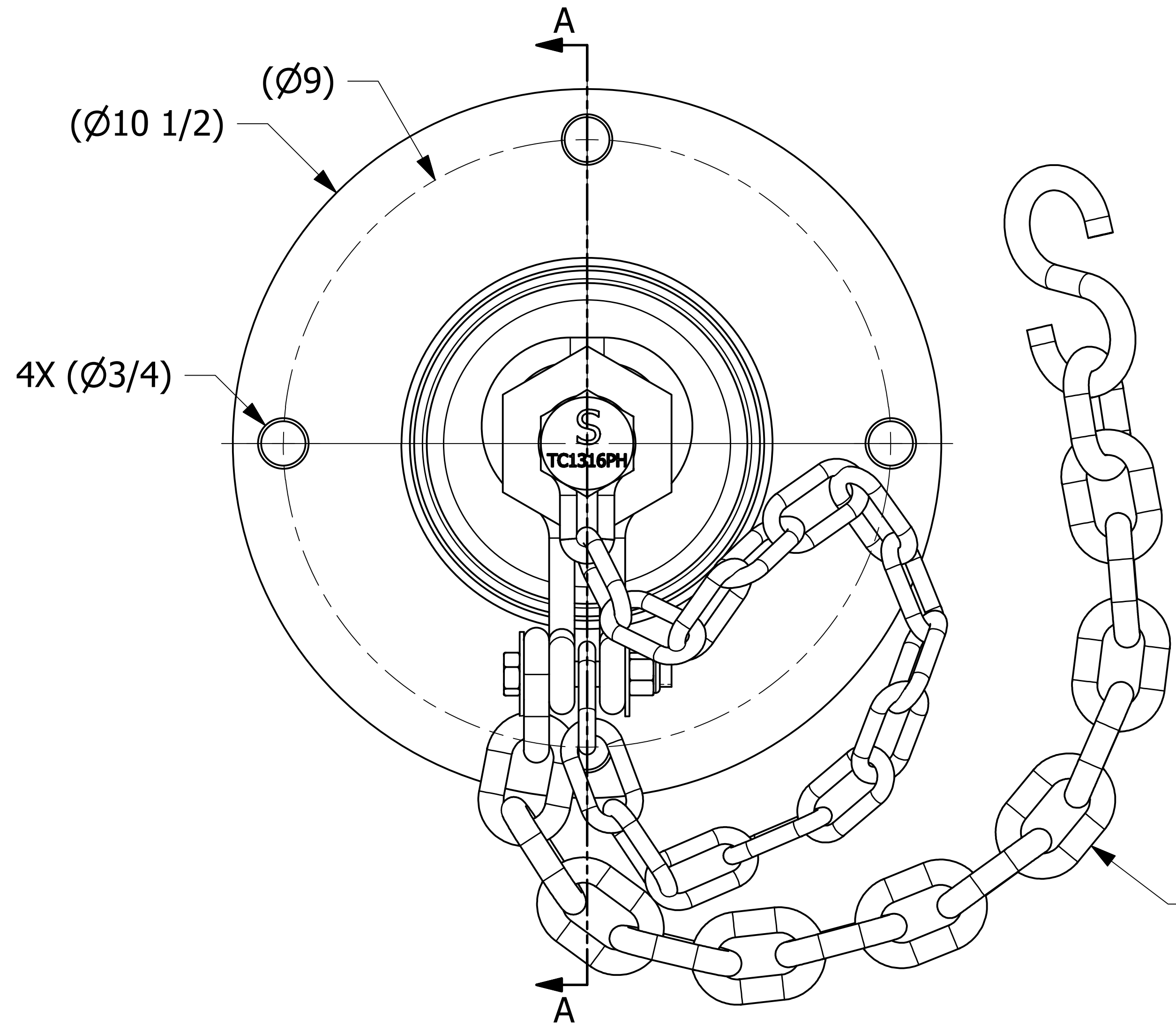
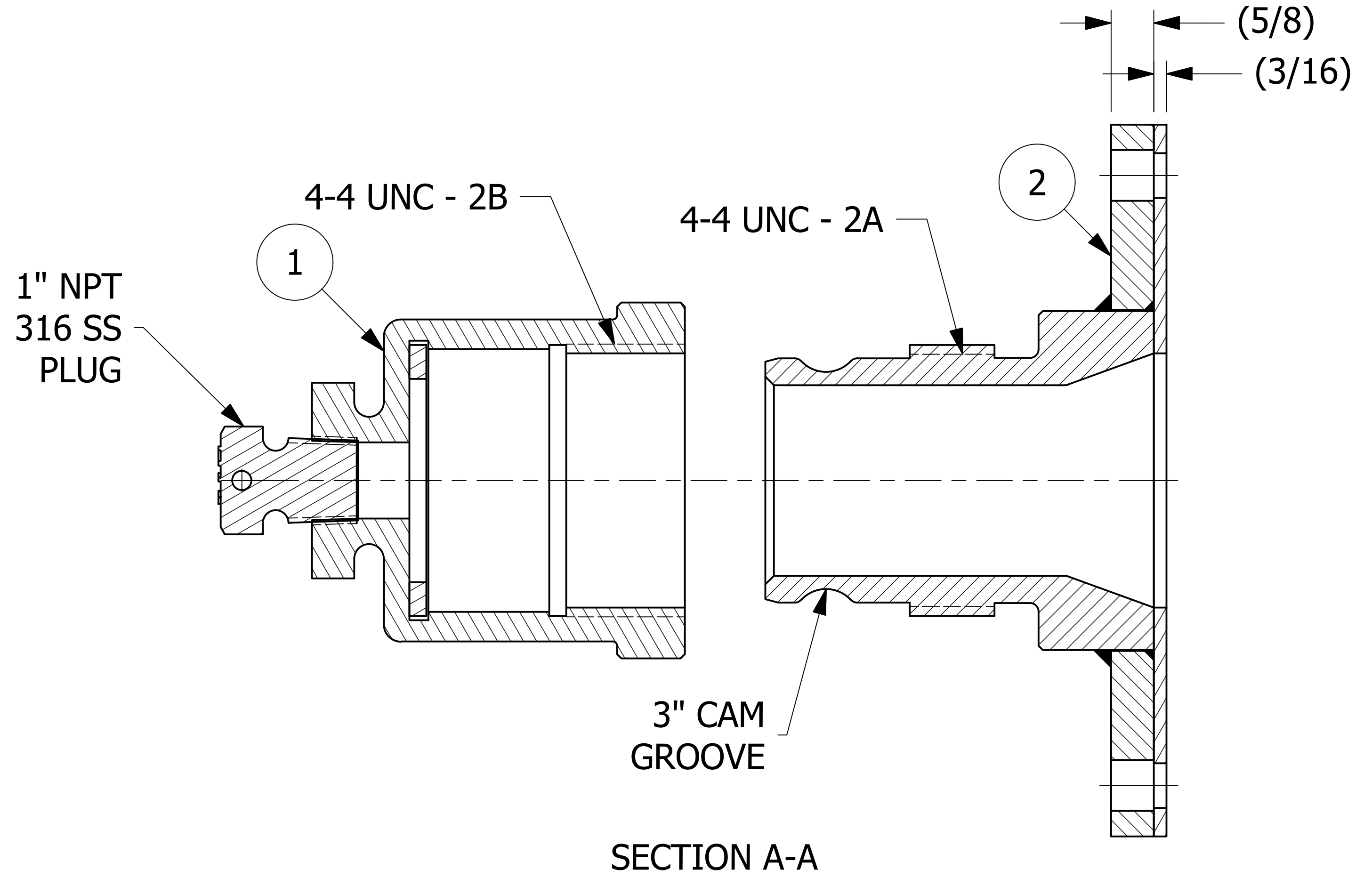


NO.	PART NAME	PART#	REQ'D	MATERIAL
1	QUICK CONNECT CAP 3" THREADED	TE3S416DC7A	1	416 SS
2	QUICK CONNECT ADAPTER 3" FLANGED	TE4X3SF7	1	316 SS



15 LINKS OF 3/8" 18-8 SS CHAIN
APPROXIMATE LENGTH IS 21"



NOTES:

1. AAR APPROVAL# E-149523.
2. GASKETS MATERIAL: BLACK VITON B.
3. FITS JAMESBURY 4" BALL VALVE (9.00" BC).
4. APPROXIMATE HEIGHT = 9".
5. THIS ASSEMBLY IS AAR AND DOT APPROVED.
6. QUICK CONNECT MEETS A-A-59326D.

B	RJP	6-8-18	UPDATED TE3S416DC7A GEOMETRY
A	WEB	3-17-15	RELEASED FOR PRODUCTION
REV	BY	DATE	DESCRIPTION

UNLESS OTHERWISE SPECIFIED DIMENSIONAL TOLERANCES	DRAWN BY:	CHL
FRACTIONAL: ±1/16	CHECKED BY:	VD
X.XX: ±.03	PROTOTYPE BY:	CHL
X.XXX: ±.015	PROTOTYPE DATE:	7/18/2011
ANGULAR: ±1°	APPROVED FOR PRODUCTION BY:	WEB
DEBURR ALL SHARP EDGES. ALL MACHINED SURFACES TO HAVE A 125 RMS FINISH UNLESS NOTED OTHERWISE.	PRODUCTION DATE:	3/17/2015
THIRD ANGLE PROJECTION		

SALCO PRODUCTS, INC.

QUICK CONNECT 3" FLANGED

MATERIAL: **SEE BOM**

PROJECT #: **110718** SHEET #: **1 OF 1** SCALE: **3:4**

DRAWING #: **D31080** PART #: **TE4X3S416SF7A**