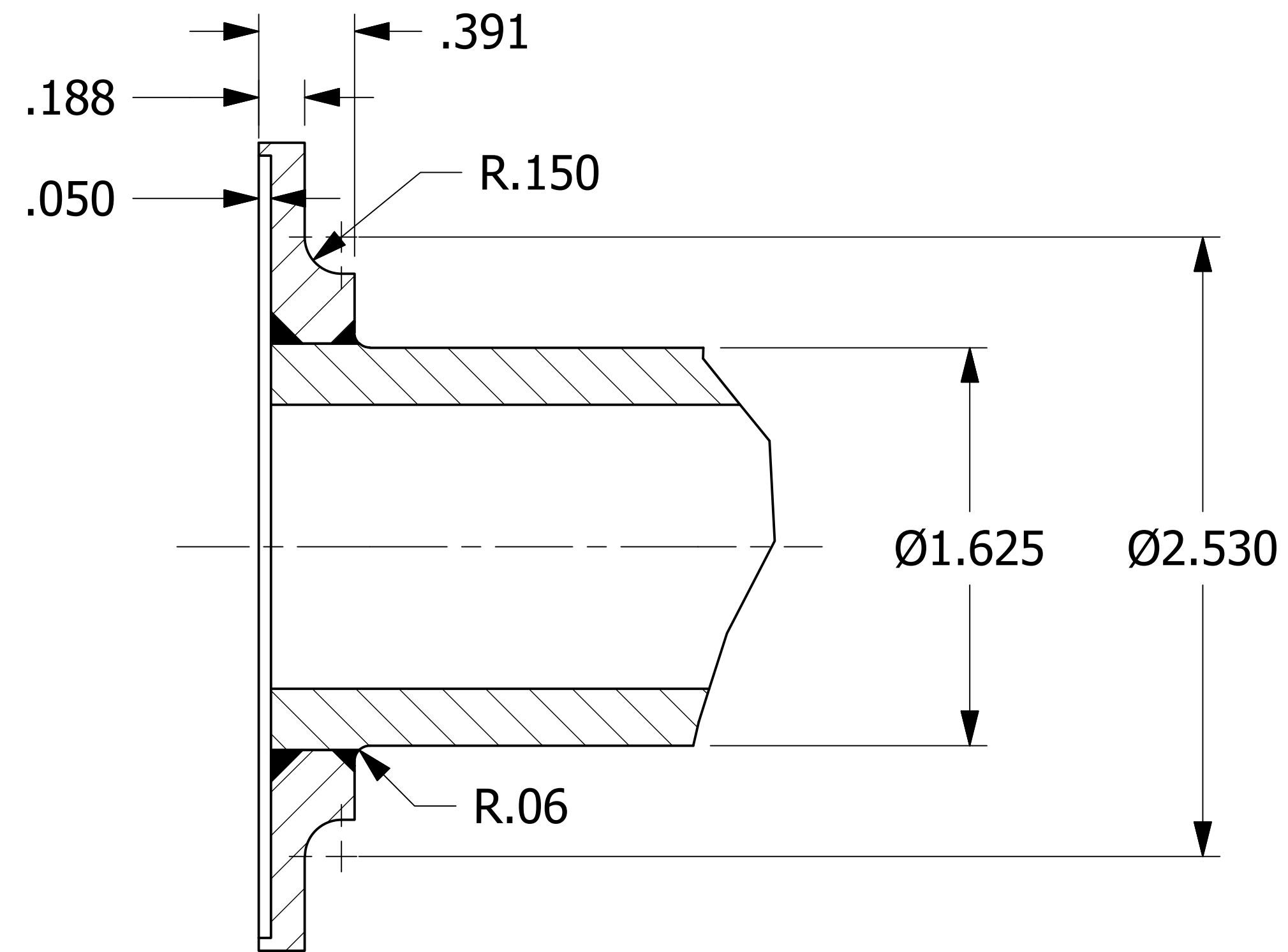
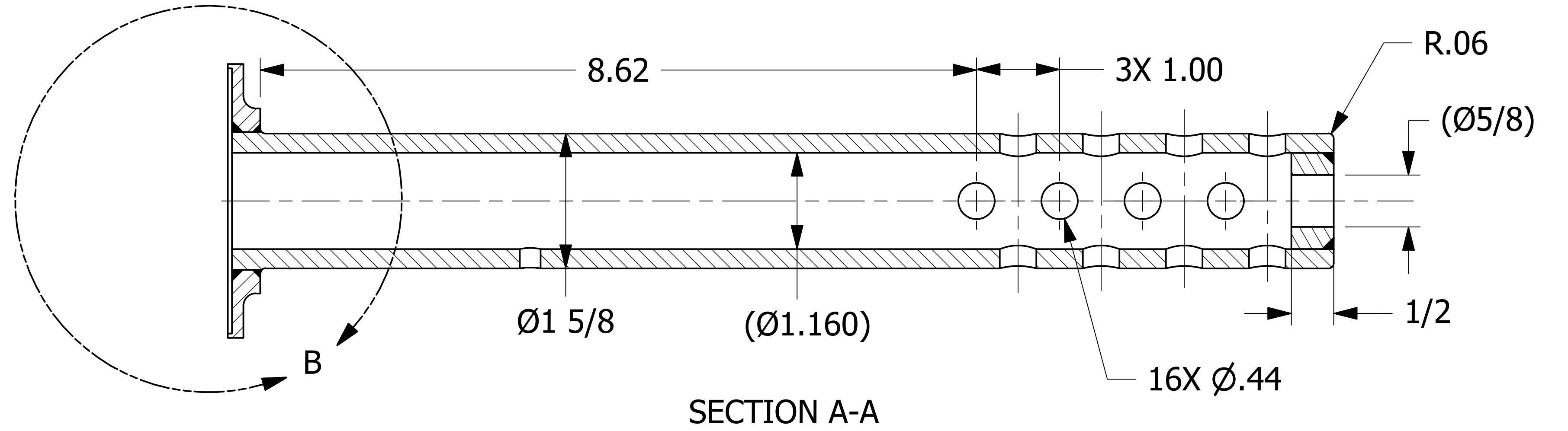


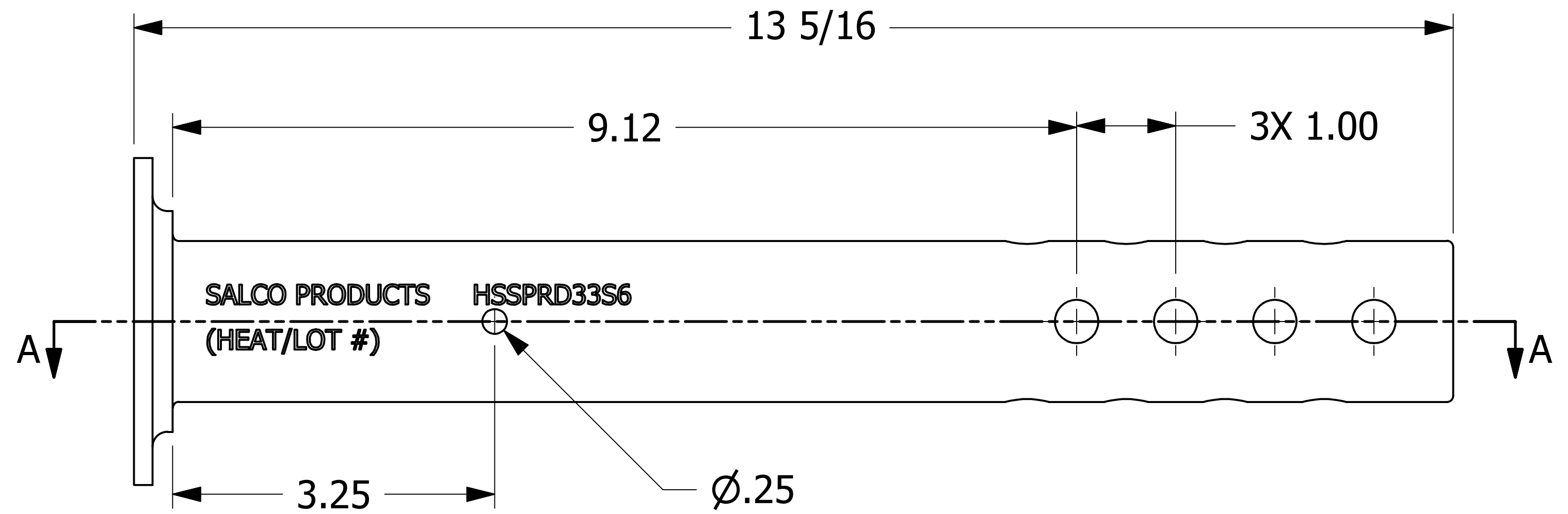
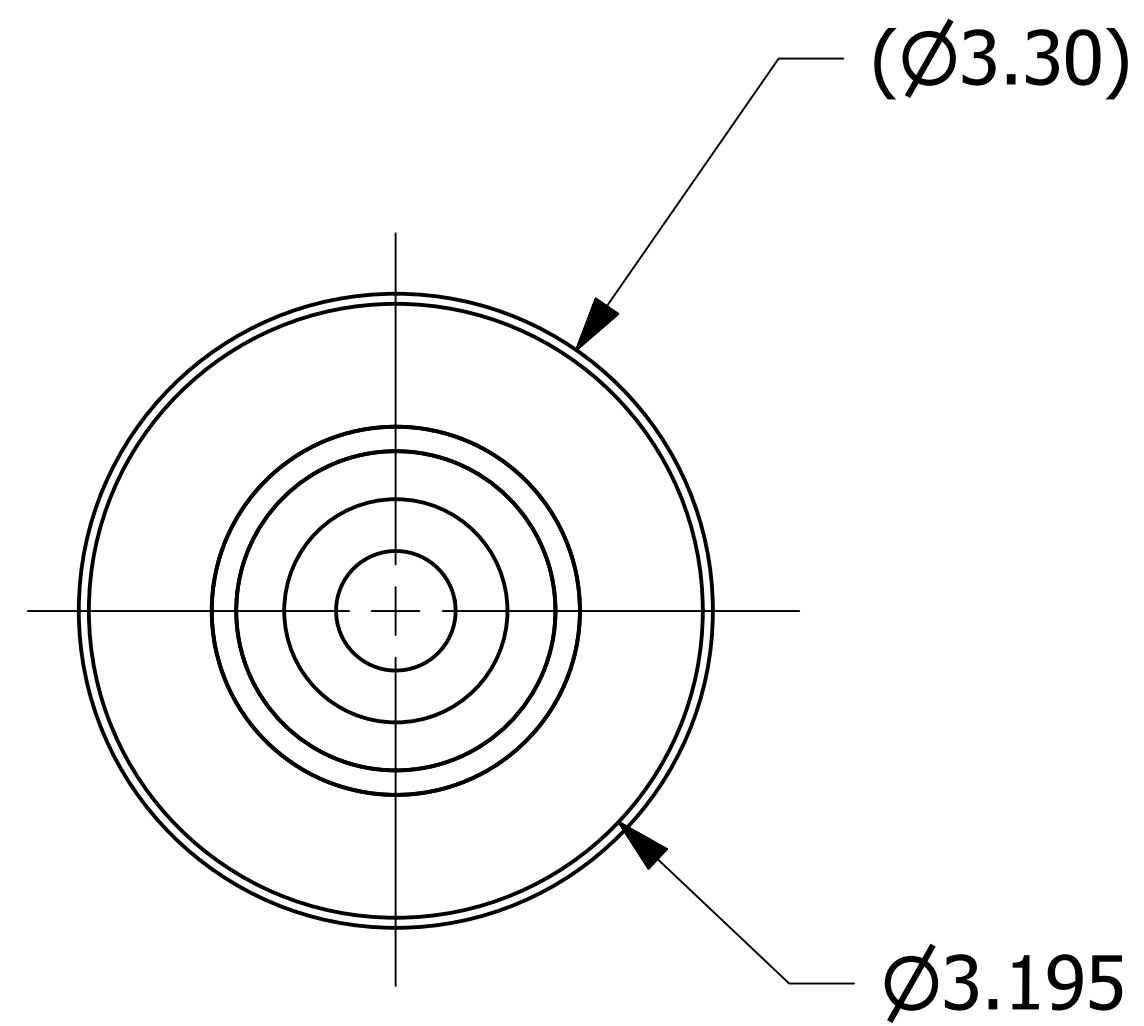
NO.	PART NAME	PART#	REQ'D	MATERIAL
1	SURGE PROTECTOR	B30191	1	316L SS



DETAIL B
SCALE 2 : 1



SECTION A-A



- NOTES:
 1. ENGRAVED TEXT HEIGHT 3/16" MIN.
 2. VENDOR TO ASSIGN APPROPRIATE HEAT/LOT #.

B	WEB	8-22-18	UPDATED TITLEBLOCK AND BOM MATERIAL
A	VD	03-08-11	ADDED PART TO SYSTEM.
REV	BY	DATE	DESCRIPTION

UNLESS OTHERWISE SPECIFIED DIMENSIONAL TOLERANCES	DRAWN BY:	VD
FRACTIONAL: ±1/16	CHECKED BY:	AJB
X.XX: ±.03	PROTOTYPE BY:	VD
X.XXX: ±.015	PROTOTYPE DATE:	2/7/2011
ANGULAR: ±1°	APPROVED FOR PRODUCTION BY:	
DEBURR ALL SHARP EDGES. ALL MACHINED SURFACES TO HAVE A 125 RMS FINISH UNLESS NOTED OTHERWISE.	PRODUCTION DATE:	
THIRD ANGLE PROJECTION		

SALCO PRODUCTS, INC.

SURGE PROTECTOR

SEE BOM

PROJECT #: 110204

SHEET #: 1 OF 1

SCALE: 1:1

DRAWING #:

D30192

PART #:

HSSPRD33S6