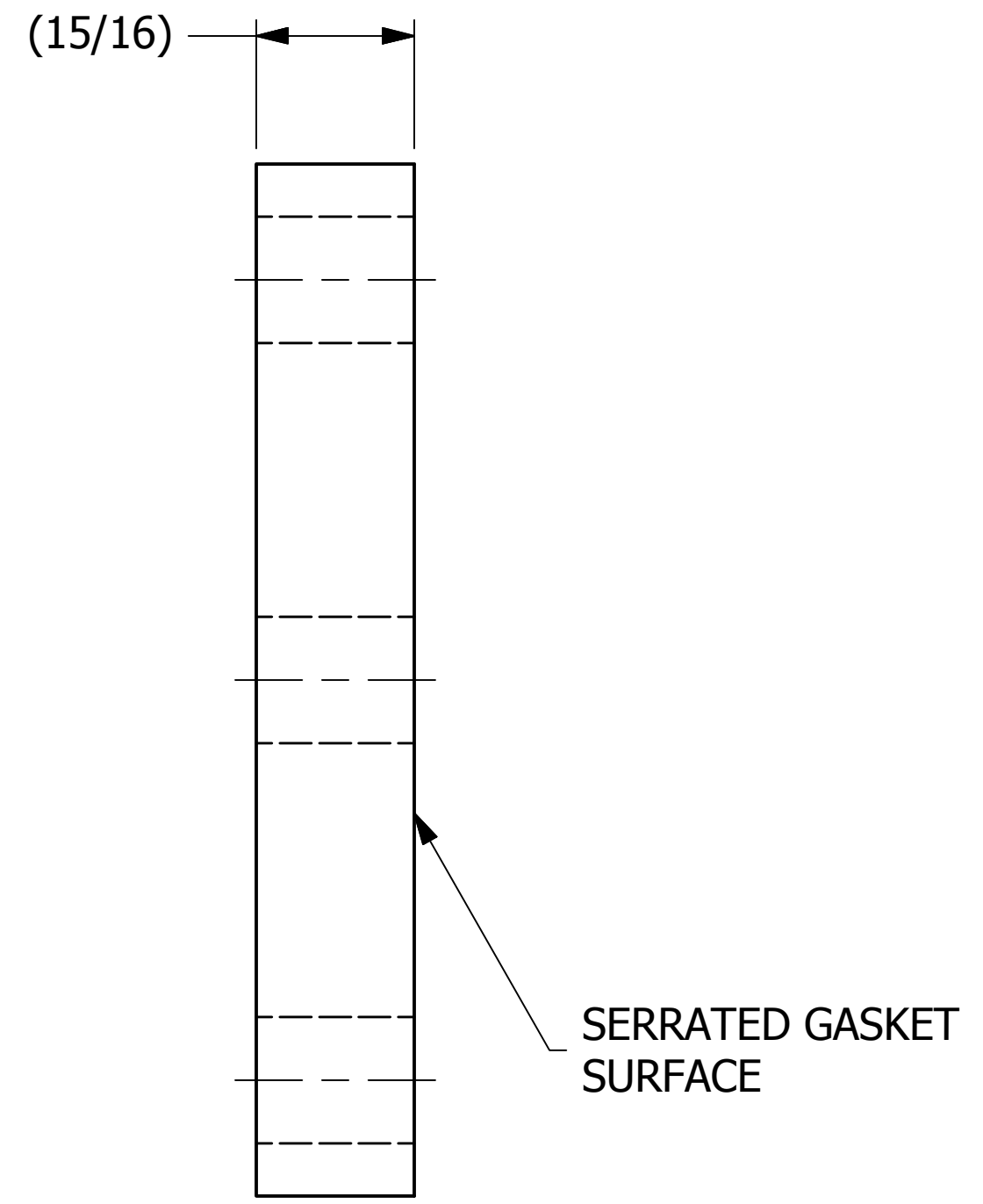
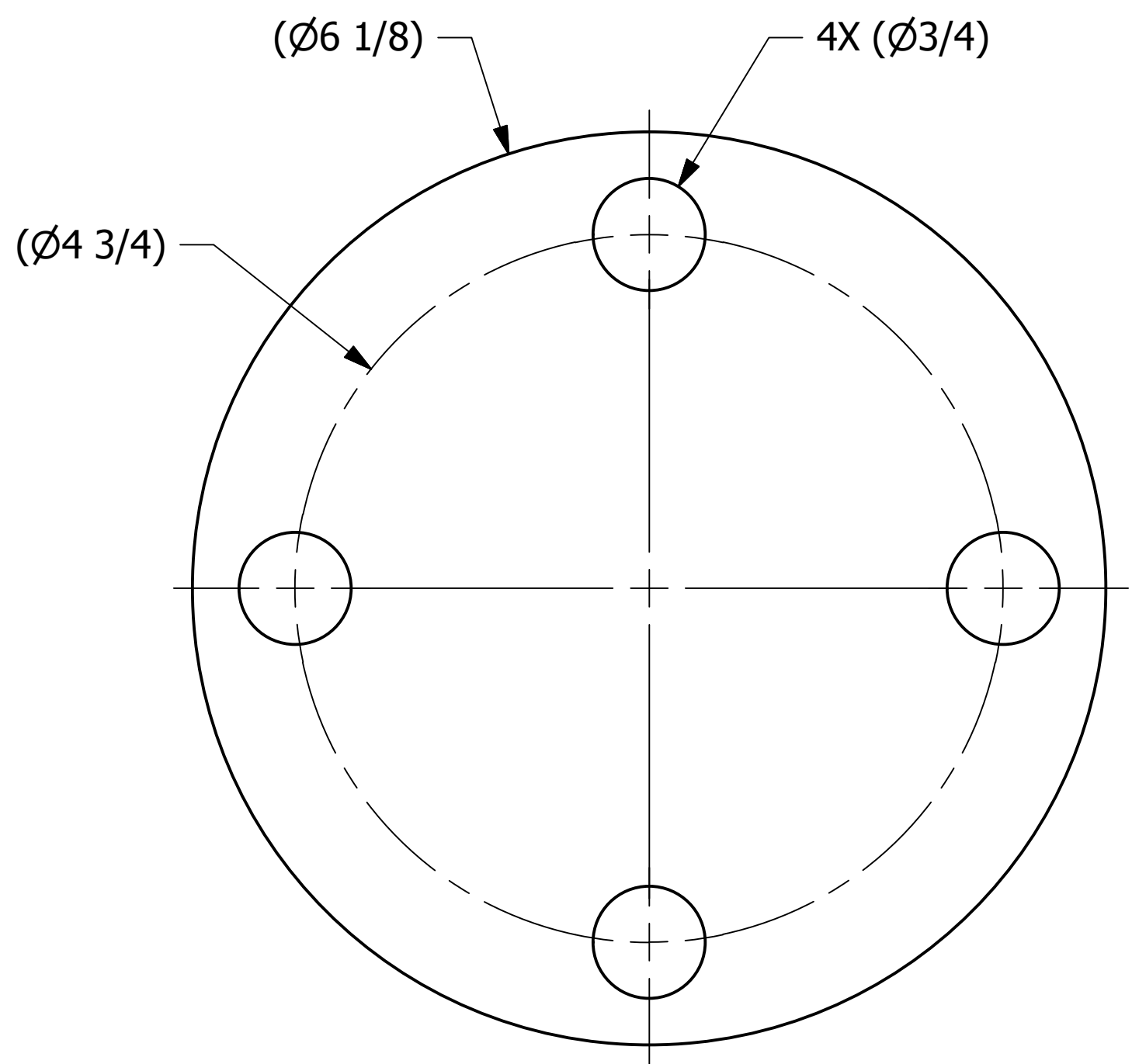


SALES DRAWING SALES DRAWING

SALES DRAWING SALES DRAWING



UNLESS OTHERWISE SPECIFIED DIMENSIONAL TOLERANCES FRACTIONAL: $\pm 1/16$ X.XX: $\pm .03$ X.XXX: $\pm .015$ ANGLE: $\pm 1^\circ$ DEBURR ALL SHARP EDGES. ALL MACHINED SURFACES TO HAVE A 125 RMS FINISH UNLESS NOTED OTHERWISE.	DRAWN BY:	CHL
	CHECKED BY:	ACC
	PROTOTYPE BY:	CHL
	PROTOTYPE DATE:	12/16/2003
	APPROVED FOR PRODUCTION BY:	ACC
THIRD ANGLE PROJECTION	PRODUCTION DATE:	12/16/2003

A	TAK	8-22-18	UPDATED TITLE BLOCK, NOTES, BOM, & LEADERS
REV	BY	DATE	DESCRIPTION

PART NAME: BLIND FLANGE 2" 150 LB			
MATERIAL: SALCO PE			
PROJECT #:	030708	SHEET #:	1 OF 1
DRAWING #:	C18604	PART #:	HS2150BFP
		SCALE:	1:1

THIS PRINT, PROPERTY OF SALCO PRODUCTS INC., CONTAINS PROPRIETARY INFORMATION AND MUST NOT BE COPIED, REPRODUCED, OR USED DETRIMENTALLY TO OUR INTEREST.