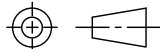



NOTES:  
 1. MATERIAL IS WHITE NEOPRENE DURO:  
 60±5 SHORE A.  
 2. MUST FOLLOW Q-2.14.1.

B	WEB	8/6/21	ADDED Q-2.14.1 NOTE; UPDATED TITLE BLOCK; SCALE WAS 1:1
A	REH	3/2/10	ADJUSTED TOLERANCES
REV	BY	DATE	DESCRIPTION

UNLESS OTHERWISE SPECIFIED DIMENSIONAL TOLERANCES FRACTIONAL: ±1/16 X.XX: ±.03 X.XXX: ±.015 ANGULAR: ±1° DEBURR ALL SHARP EDGES. ALL MACHINED SURFACES TO HAVE A 125 RMS FINISH UNLESS NOTED OTHERWISE. THIRD ANGLE PROJECTION 	DRAWN BY:	ACC
	CHECKED BY:	
	PROTOTYPE DATE:	3/10/2003
	APPROVED FOR PRODUCTION BY:	ACC
	PRODUCTION DATE:	3/10/2003
	SIZE:	A
	DRAWING #:	17781

		
PART NAME: <b>BOTTOM OUTLET CAP GASKET 4"</b>		
MATERIAL: <b>SEE NOTE</b>		
PROJECT #:	SHEET #: <b>1 OF 1</b>	SCALE: <b>3:4</b>
PART #: <b>BCG358</b>		