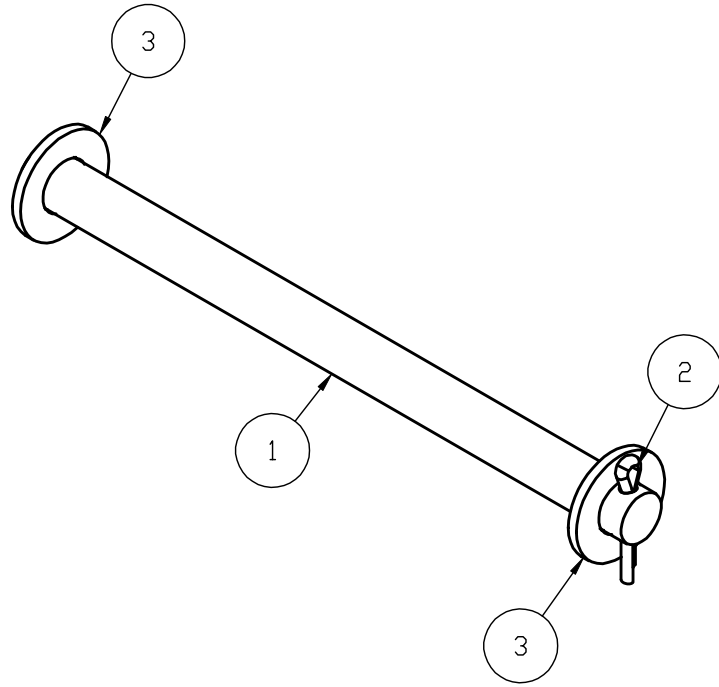




NO.	PART NAME	PART #	REQ'D	MATERIAL
1	HINGE PIN 1/2"X7"	CL127CZ	1	CARBON STEEL
2	COTTER PIN 1/8"X3/4"	RF16271	1	18-8 SS
3	FLAT WASHER 1/2"	A20W	2	CS Z/P



REV	BY	DATE	DESCRIPTION
 			
DRAWN BY: CHL		CHKD BY: ACC	SCALE: 1:1
MATERIAL: SEE BOM			
PART NAME: HINGE PIN ASSEMBLY			
PROJECT #:	010808	PROTOTYPE AND DATE:	CHL 8-3-04
DRAWING #:	B19447	PART #:	CLP127CA
APPROVED FOR PRODUCTION:			

UNLESS OTHERWISE SPECIFIED  
DIMENSIONAL TOLERANCES

FRACTIONAL	±1/16
X.XX	±0.03
X.XXX	±0.015
ANGULAR	±1°

THIS PRINT, PROPERTY OF SALCO PRODUCTS INC.,  
CONTAINS PROPRIETARY INFORMATION AND MUST  
NOT BE COPIED, REPRODUCED, OR USED  
DETREMENTALLY TO OUR INTEREST.

THIRD ANGLE PROJECTION

