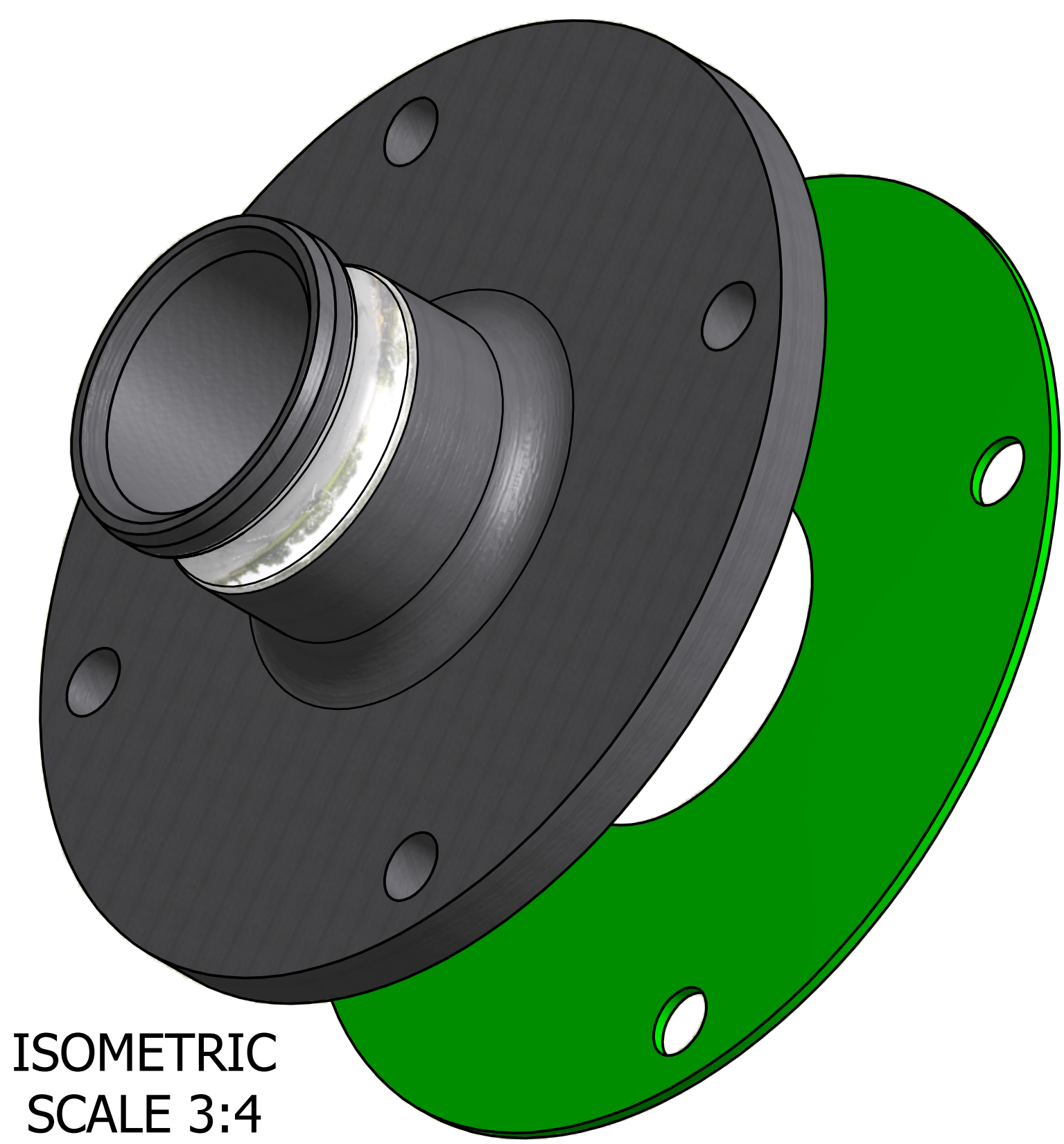
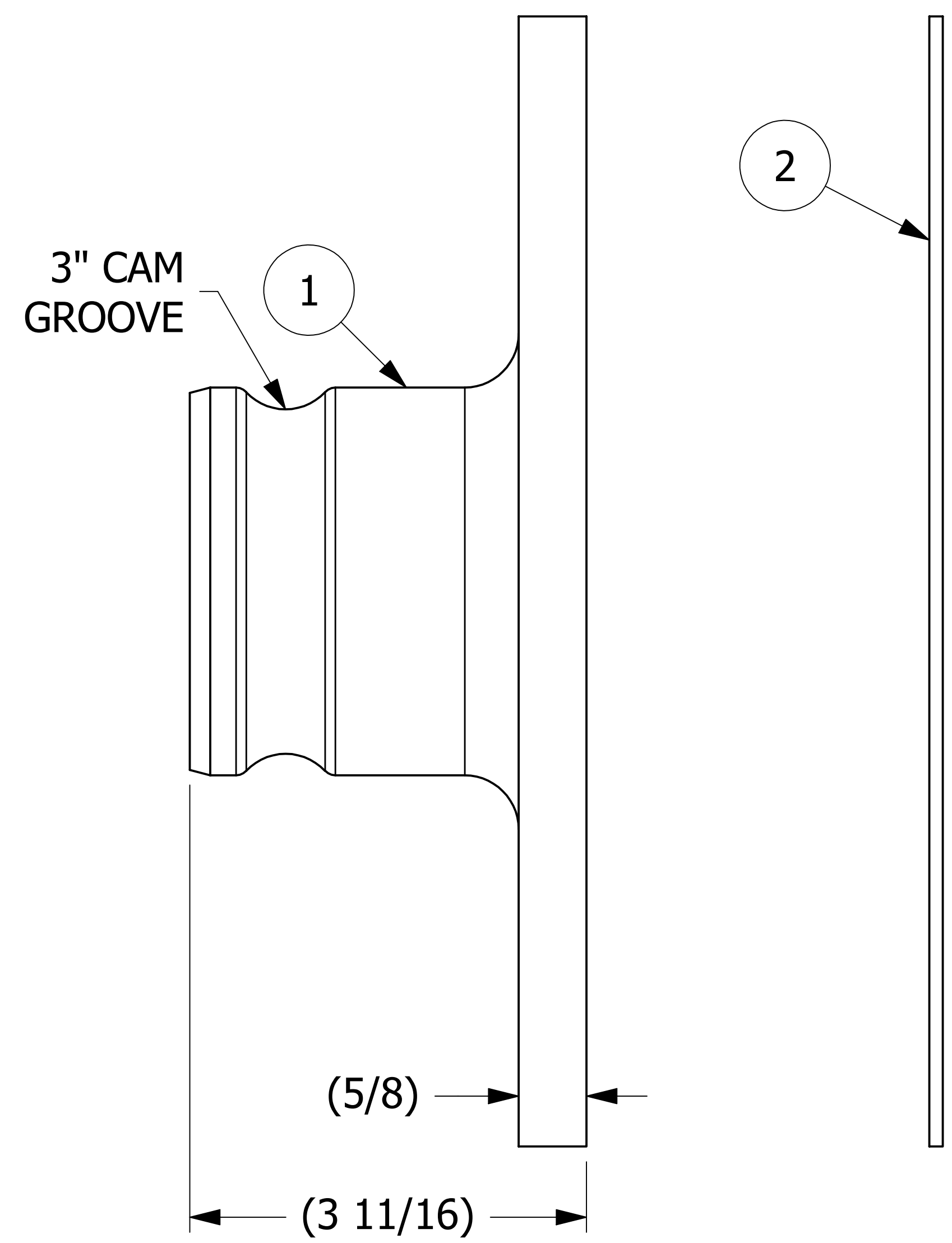
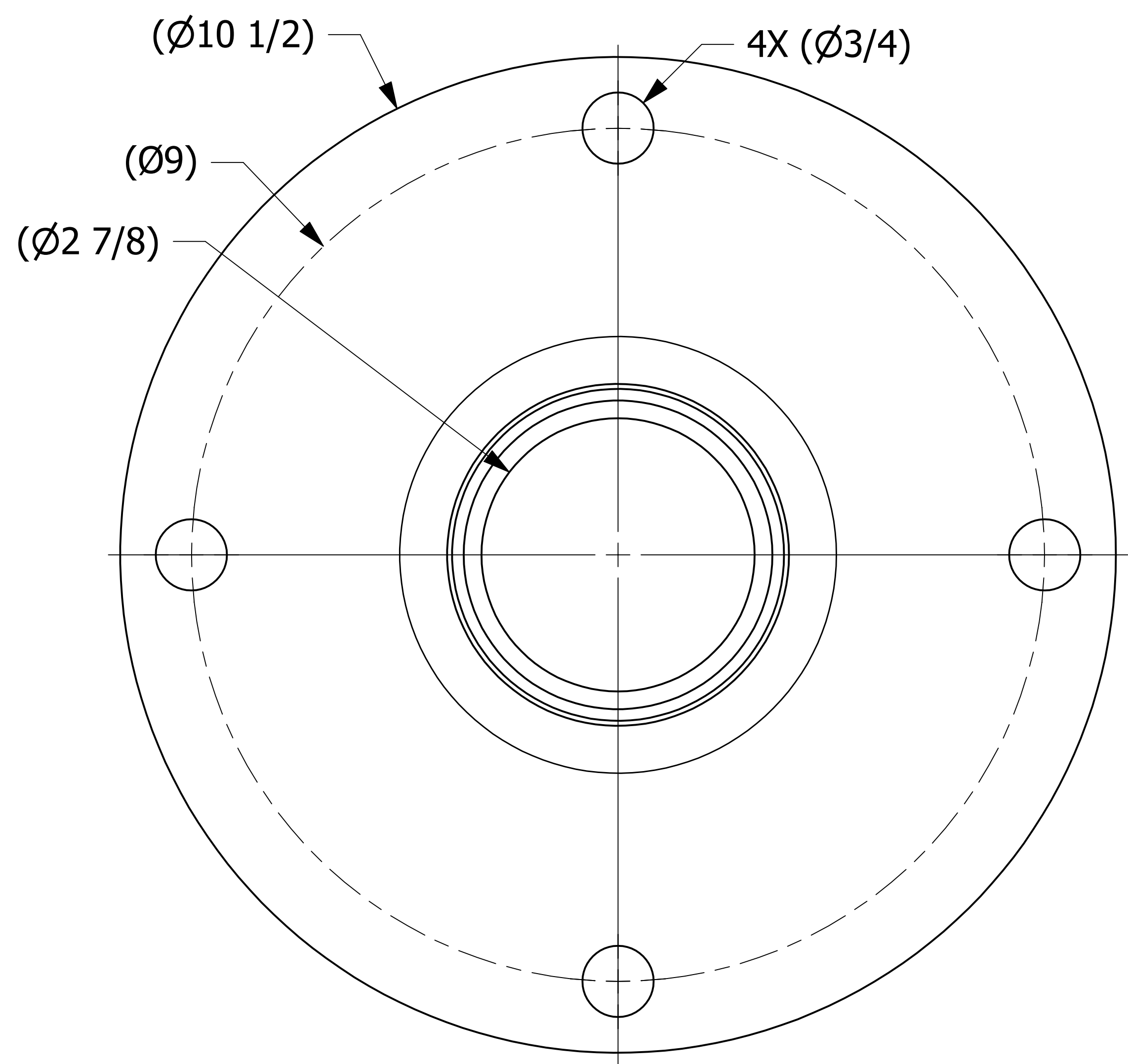


NO.	PART NAME	PART #	REQ'D	MATERIAL
1	QUICK CONNECT ADAPTER 3" FLANGED	K3SBF	1	316 SS
2	FLANGE GASKET 3"	TE3FG94	1	GREEN DURLON 8500



- NOTES:**
1. THIS ASSEMBLY IS NOT DOT APPROVED AND CAN BE USED ONLY ON AAR STENCILED CARS.
 2. QUICK DISCONNECT MEETS A-A-59326D.
 3. FLANGE IS 316 SS GRADE CF-8M ASTM# A743.
 4. FITS JAMESBURY 4" BALL VALVE (9.00" B.C.).
 5. AAR APPROVAL # E-139514.

ISOMETRIC
SCALE 3:4

<small>UNLESS OTHERWISE SPECIFIED DIMENSIONAL TOLERANCES</small> FRACTIONAL: ±1/16 X.XX: ±.03 X.XXX: ±.015 ANGULAR: ±1° <small>THIS PRINT, PROPERTY OF SALCO PRODUCTS INC, CONTAINS PROPRIETARY INFORMATION AND MUST NOT BE COPIED, REPRODUCED, OR USED DETRIMENTALLY TO OUR INTEREST.</small> THIRD ANGLE PROJECTION	DRAWN BY:	CHL
	CHECKED BY:	ACC
	PROTOTYPE BY:	CHL
	PROTOTYPE DATE:	2/10/2004
	APPROVED FOR PRODUCTION BY:	ACC
	PRODUCTION DATE:	2/10/2004

A	RJP	12-20-13	AAR APPROVAL WAS # E-039015, MIL SPEC WAS MIL-C-27487G	
REV	BY	DATE	DESCRIPTION	
PART NAME: QUICK CONNECT ADAPTER 3" FLANGED				
MATERIAL: SEE BOM				
PROJECT #:		SHEET #:		SCALE:
WAG0108		1 OF 1		1:1
DRAWING #:		PART #:		
D18785		K3SBF94		