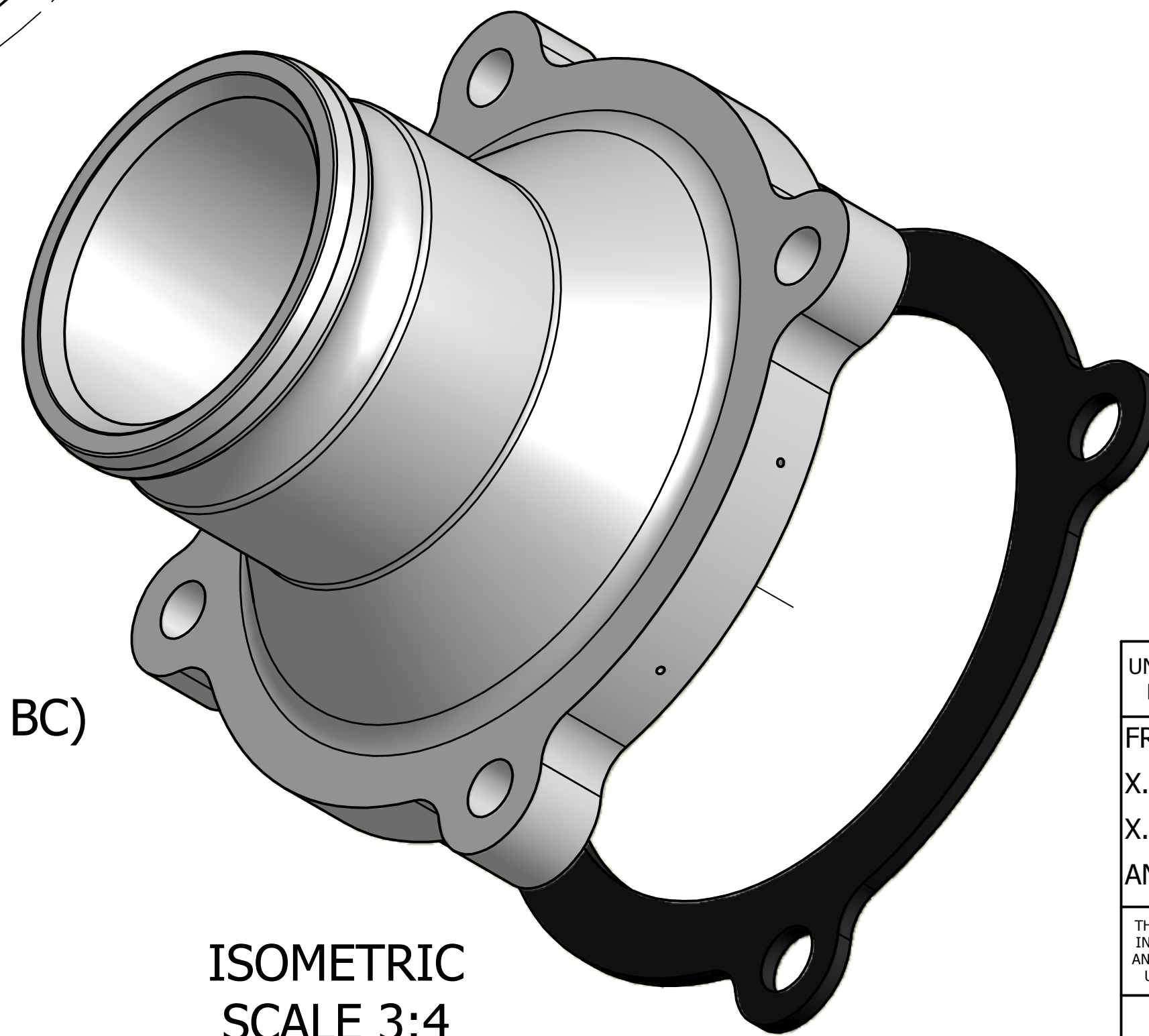
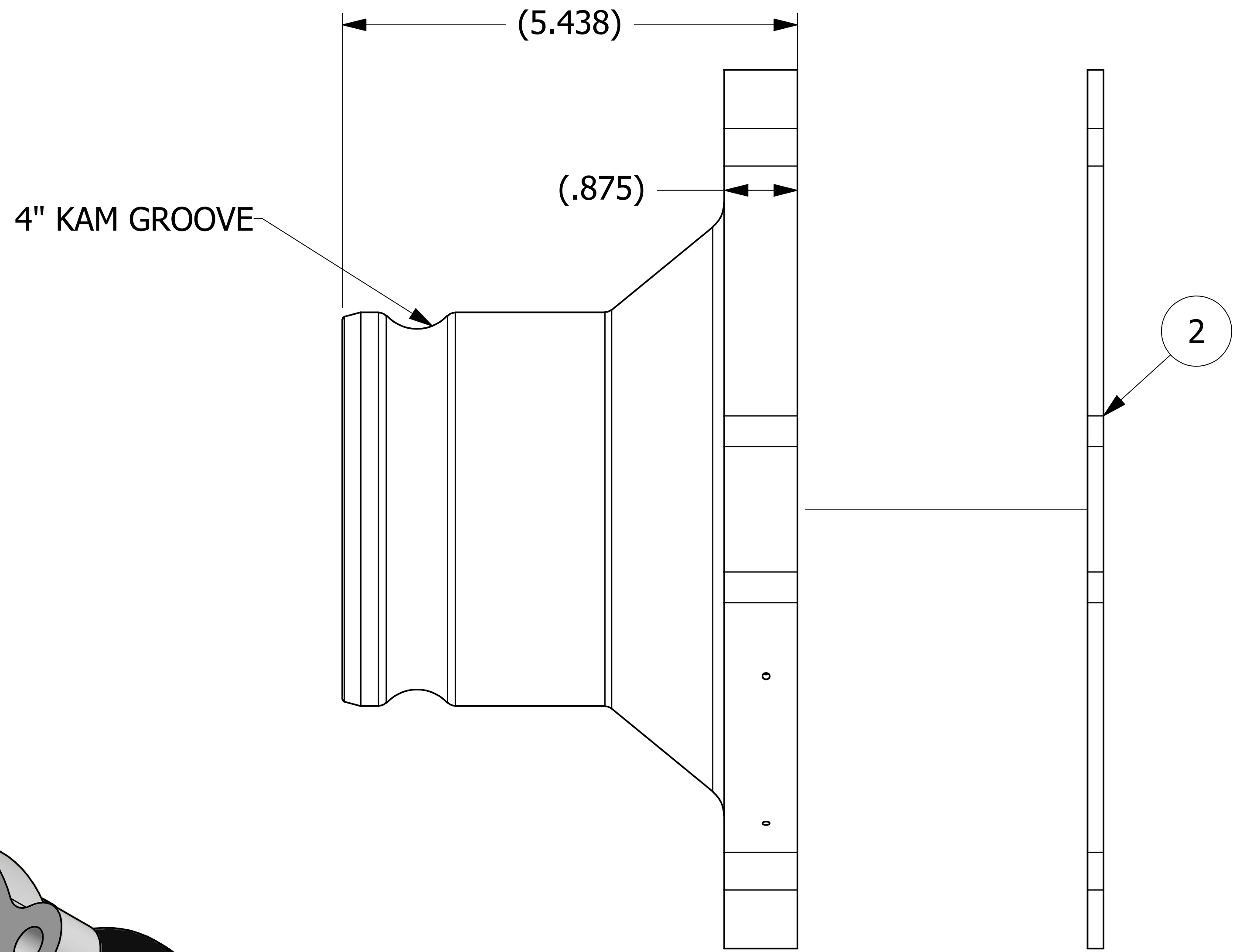
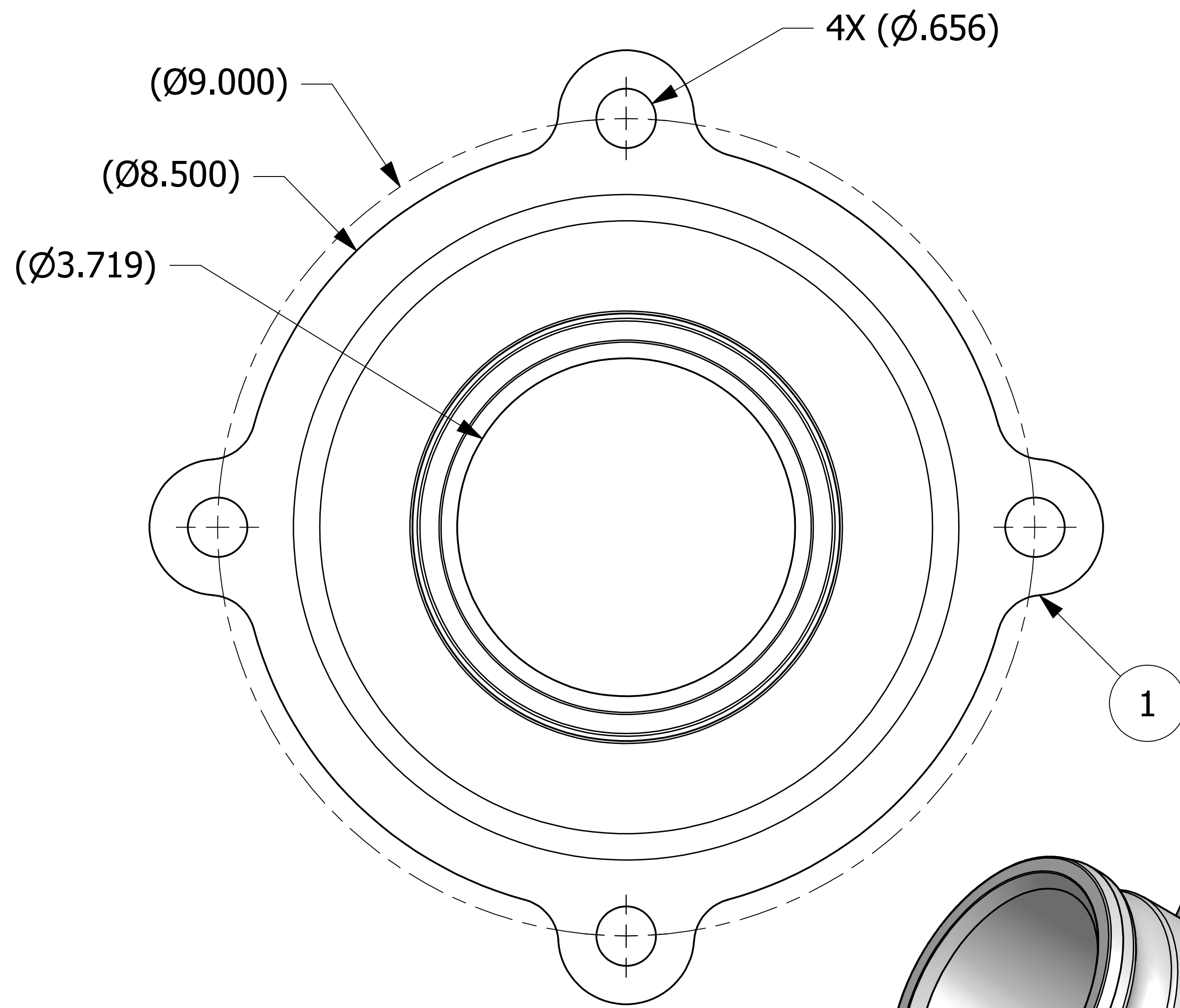


NO.	PART NAME	PART #	REQ	MATERIAL
1	QUICK DISCONNECT ADAPTER 4" FLANGED	K4SWF	1	316 SS
2	FLANGE GASKET 4"	K4WFG3	1	BLACK EPDM



ISOMETRIC
SCALE 3:4

NOTES:

1. THIS ASSEMBLY IS NOT DOT APPROVED AND CAN BE USED ONLY ON AAR STENCILED CARS.
2. QUICK DISCONNECT MEETS MIL-C-27487G SPECS.
3. FLANGE IS 316 SS GRADE CF-8M ASTM# A743.
4. FITS JAMESBURY 6" WAFER SPHERE VALVE (9.00" BC)
5. AAR APPROVAL # E-039015.

UNLESS OTHERWISE SPECIFIED DIMENSIONAL TOLERANCES	DRAWN BY:	WRB		
	FRACTIONAL: ±1/16	CHECKED BY:		
X.XX: ±.03	PROTOTYPE BY:	WRB	PART NAME: QUICK CONNECT ADAPTER 4" FLANGED	
X.XXX: ±.015	PROTOTYPE DATE:	12/12/2006	MATERIAL: SEE BOM	
ANGULAR: ±1°	APPROVED FOR PRODUCTION BY:	ACC	PROJECT #: WAG0382	SHEET #: 1 OF 1
THIS PRINT, PROPERTY OF SALCO PRODUCTS INC, CONTAINS PROPRIETARY INFORMATION AND MUST NOT BE COPIED, REPRODUCED, OR USED DETRIMENTALLY TO OUR INTEREST.	PRODUCTION DATE:	12/12/2006	DRAWING #: D22934	SCALE: 1:1
THIRD ANGLE PROJECTION			PART #: K4SWF3	