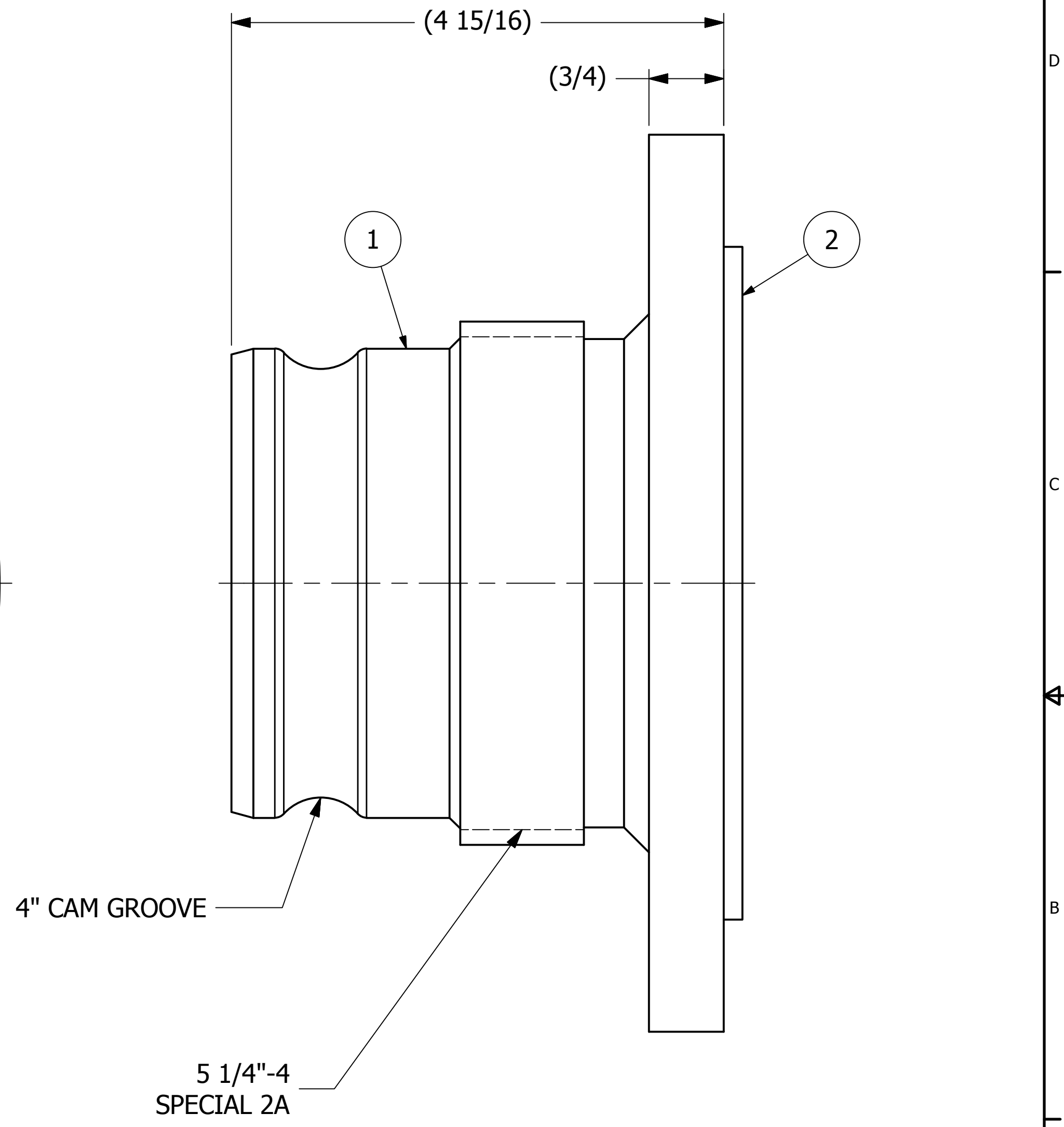
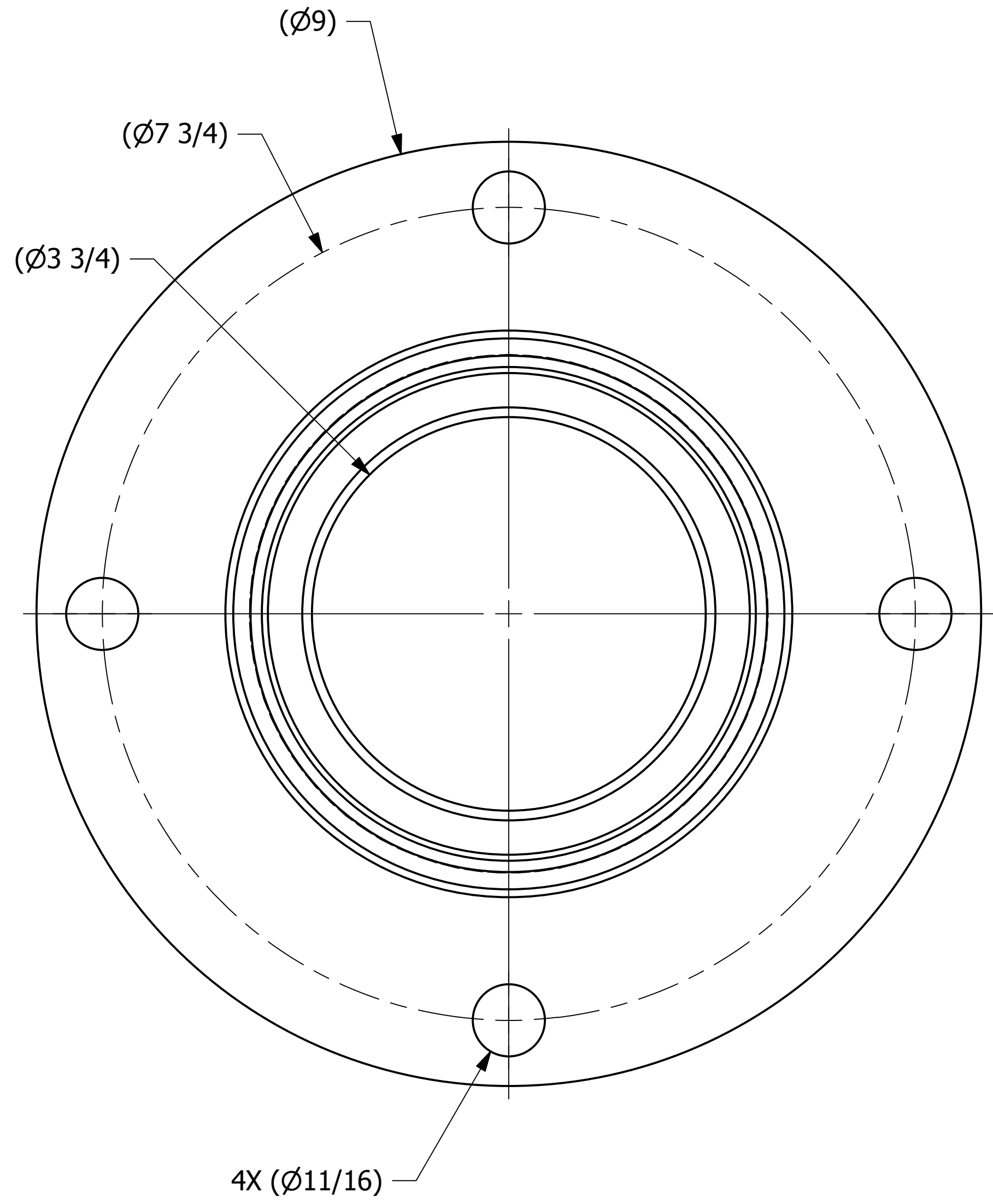


NO.	PART NAME	PART#	REQ'D	MATERIAL
1	QUICK CONNECT ADAPTER 4" FLANGED	TE4SUTF	1	316 SS
2	GASKET 3/16"X4"X6 3/4"	FG467506	1	BLACK VITON A



- NOTES:
1. FITS 7.75" BOLT CIRCLE.
 2. AAR APPROVAL # E-149523.
 3. THIS ASSEMBLY IS AAR AND DOT APPROVED.
 4. QUICK DISCONNECT MEETS A-A-59326D.
 5. CASTINGS ARE 316 SS AND MEET ASTM# A743 GRADE CF-8M REQUIREMENTS.

REV	BY	DATE	DESCRIPTION
C	WEB	12-28-18	ADDED NOTES
B	RJP	5-6-14	UPDATED GEOMETRY OF TE4SUTF
A	MAW	8-12-09	UPDATED TO INVENTOR

<small>UNLESS OTHERWISE SPECIFIED DIMENSIONAL TOLERANCES FRACTIONAL: $\pm 1/16$ X.XX: $\pm .03$ X.XXX: $\pm .015$ ANGLE: $\pm 1^\circ$ DEBURR ALL SHARP EDGES. ALL MACHINED SURFACES TO HAVE A 125 RMS FINISH UNLESS NOTED OTHERWISE.</small>	DRAWN BY:	ACC
	CHECKED BY:	CHL
	PROTOTYPE BY:	ACC
	PROTOTYPE DATE:	5/5/1999
	APPROVED FOR PRODUCTION BY:	ACC
THIRD ANGLE PROJECTION	PRODUCTION DATE:	5/5/1999

SALCO PRODUCTS, INC.
 PART NAME:
QUICK CONNECT ADAPTER 4" FLANGED
 MATERIAL: SEE BOM
 PROJECT #: 990227 SHEET #: 1 OF 1 SCALE: 1:1
 DRAWING #: C20095 PART #: TE4SUTF6