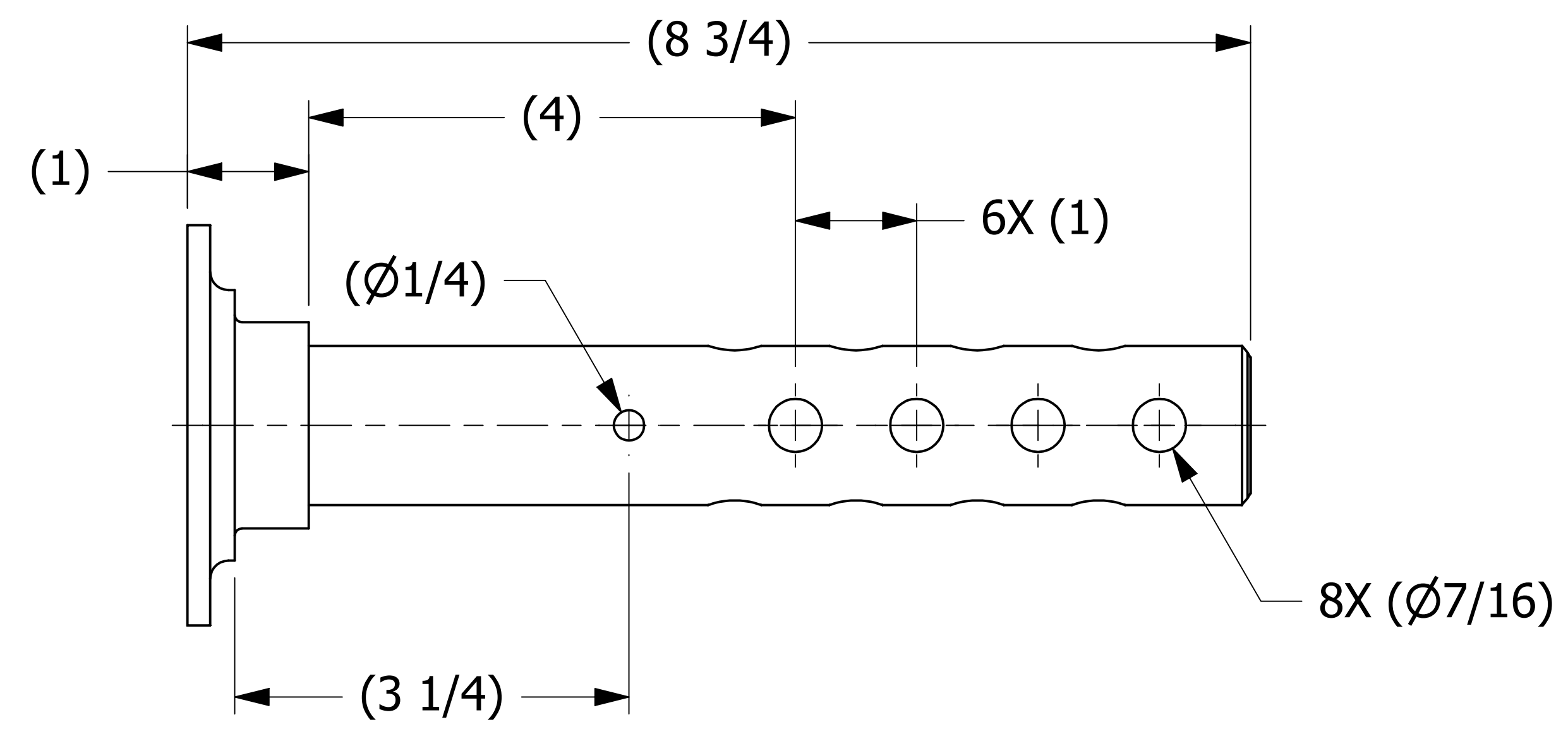
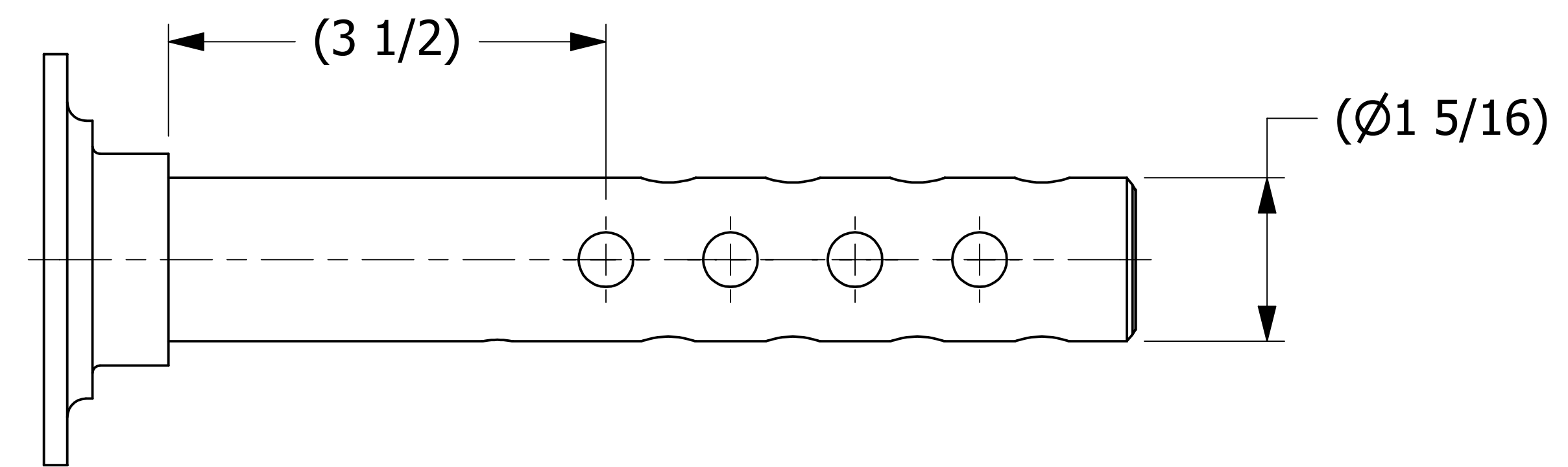
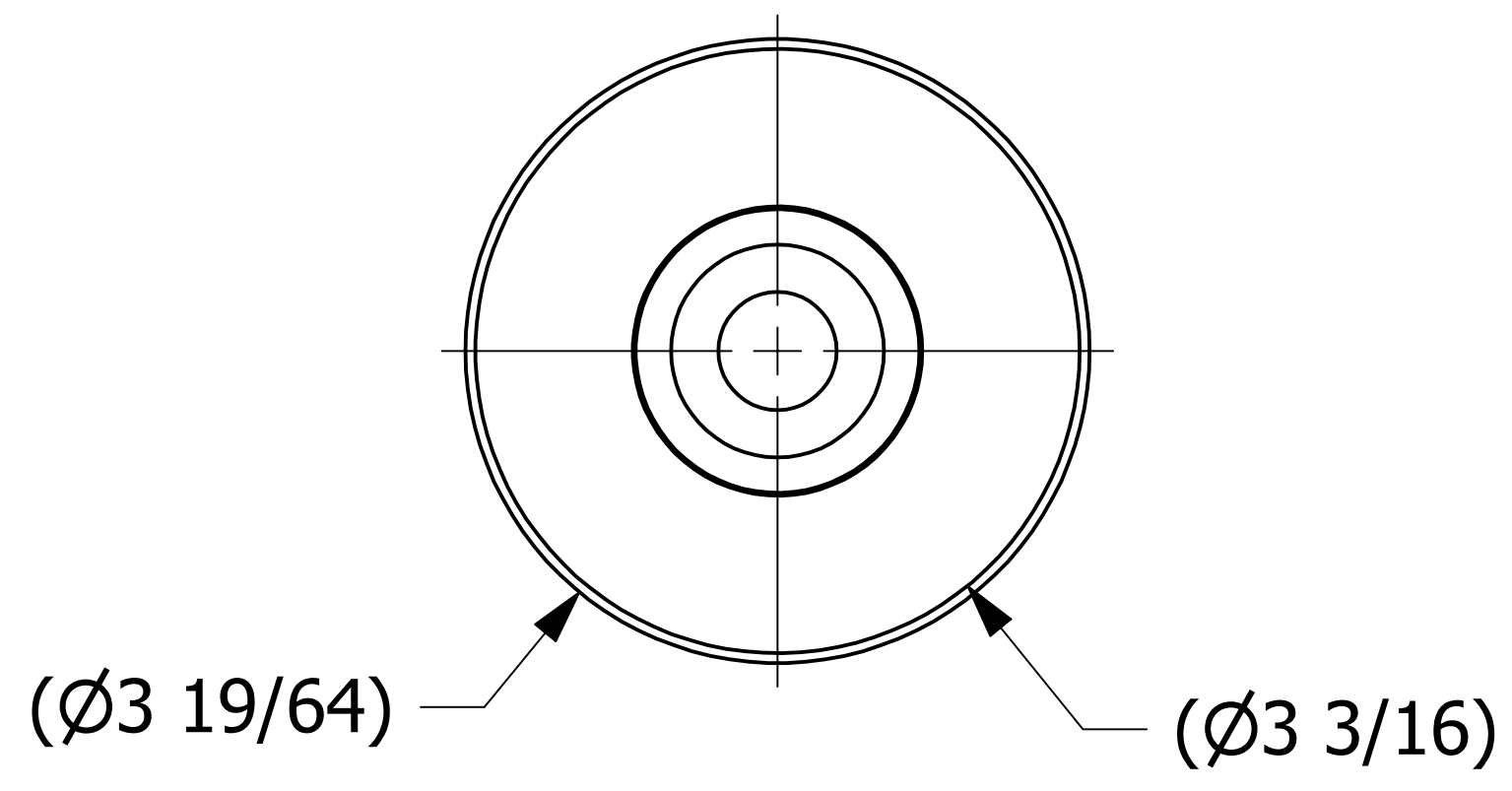


SALES DRAWING SALES DRAWING

SALES DRAWING SALES DRAWING



NOTE:
AAR APPROVAL NUMBER IS E-119002.

A	RJP	11-24-15	RELEASED FOR PRODUCTION
REV	BY	DATE	DESCRIPTION
SALCO PRODUCTS, INC.			
PART NAME: SURGE PROTECTOR			
MATERIAL: SALCO PE		PROJECT #: H151120F	SHEET #: 1 OF 1
APPROVED FOR PRODUCTION BY: JRO		PRODUCTION DATE: 11/24/2015	SCALE: 1:1
DRAWING #: D42789		PART #: HSSPRD3302MT	

UNLESS OTHERWISE SPECIFIED DIMENSIONAL TOLERANCES	DRAWN BY:	RJP
FRACTIONAL: ±1/16	CHECKED BY:	CHL
X.XX: ±.03	PROTOTYPE BY:	RJP
X.XXX: ±.015	PROTOTYPE DATE:	11/20/2015
ANGULAR: ±1°	APPROVED FOR PRODUCTION BY:	JRO
DEBURR ALL SHARP EDGES. ALL MACHINED SURFACES TO HAVE A 125 RMS FINISH UNLESS NOTED OTHERWISE.	PRODUCTION DATE:	11/24/2015
THIRD ANGLE PROJECTION		

THIS PRINT, PROPERTY OF SALCO PRODUCTS INC. CONTAINS PROPRIETARY INFORMATION AND MUST NOT BE COPIED, REPRODUCED, OR USED DETRIMENTALLY TO OUR INTEREST.