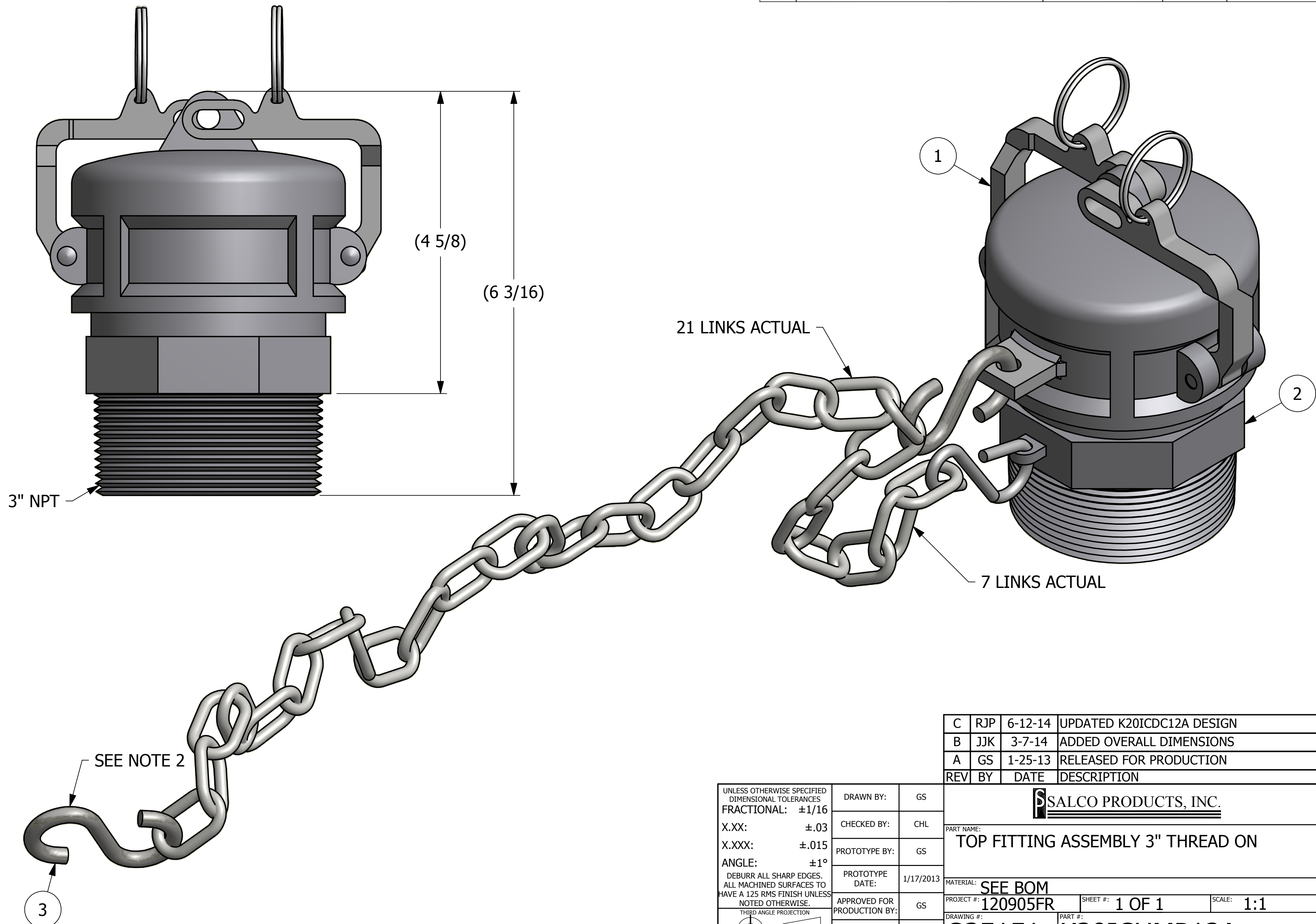


NOTES:

- 1. GASKET IS VITON GF-600S.
- 2. SHIP ADAPTER S-HOOK LOOSE.

NO.	PART NAME	PART#	REQ'D	MATERIAL
1	DUST CAP ASSEMBLY 3"	K30ICDC12A	1	DI
2	QUICK CONNECT ADAPTER 3"	K3IMPA	1	DI
3	S-HOOK 1/4"	SC25SH	1	CS Z/P



REV	BY	DATE	DESCRIPTION
C	RJP	6-12-14	UPDATED K20ICDC12A DESIGN
B	JJK	3-7-14	ADDED OVERALL DIMENSIONS
A	GS	1-25-13	RELEASED FOR PRODUCTION

<small>UNLESS OTHERWISE SPECIFIED DIMENSIONAL TOLERANCES FRACTIONAL: ±1/16 X.XX: ±.03 X.XXX: ±.015 ANGLE: ±1° DEBURR ALL SHARP EDGES. ALL MACHINED SURFACES TO HAVE A 125 RMS FINISH UNLESS NOTED OTHERWISE.</small>	DRAWN BY:	GS
	CHECKED BY:	CHL
	PROTOTYPE BY:	GS
	PROTOTYPE DATE:	1/17/2013
	APPROVED FOR PRODUCTION BY:	GS
	PRODUCTION DATE:	1/25/2013

SALCO PRODUCTS, INC.

PART NAME: **TOP FITTING ASSEMBLY 3" THREAD ON**

MATERIAL: **SEE BOM**

PROJECT #: **120905FR** SHEET #: **1 OF 1** SCALE: **1:1**

DRAWING #: **C35151** PART #: **K30ICUMP12A**