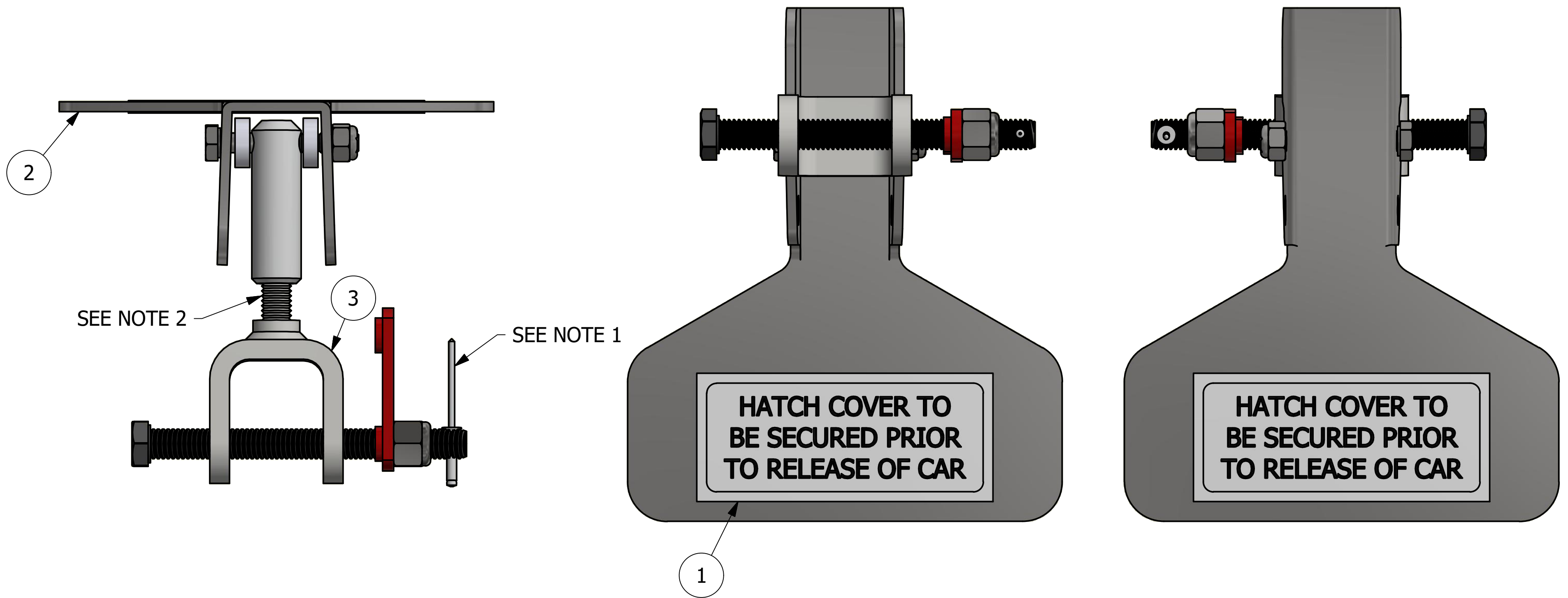


NO.	PART NAME	PART#	REQ'D	MATERIAL
1	FOOT LATCH LABEL	LAL20L	2	WHITE VINYL
2	HATCH COVER LATCH	LAL20LP	1	SS
3	HATCH COVER U-BRACKET ASSEMBLY 20"	TE20TUAE	1	SS



ISOMETRIC VIEW

- NOTES:
1. RIVETS ARE TO BE SHIPPED LOOSE.
 2. APPLY JET-LUBE WHITE KNIGHT ANTI-SEIZE DURING ASSEMBLY.

REV	BY	DATE	DESCRIPTION
D	WEB	10/20/22	ADDED 2X LAL20L; UPDATED TITLE BLOCK
C	WEB	9/17/18	UPDATED NOTE 2
B	WEB	2/6/18	ADDED NOTE 2
A	WEB	6/8/15	RELEASED FOR PRODUCTION

<small>UNLESS OTHERWISE SPECIFIED DIMENSIONAL TOLERANCES FRACTIONAL: ±1/16 X.XX: ±.03 X.XXX: ±.015 ANGLE: ±1° DEBURR ALL SHARP EDGES. ALL MACHINED SURFACES TO HAVE A 125 RMS FINISH UNLESS NOTED OTHERWISE. THIRD ANGLE PROJECTION</small>	DRAWN BY:	WEB
	CHECKED BY:	CHL
	PROTOTYPE DATE:	12/18/2014
	APPROVED FOR PRODUCTION BY:	WEB
	PRODUCTION DATE:	6/8/2015
	SIZE:	C
DRAWING #:	40498	

SALCO PRODUCTS, INC.		
PART NAME: HATCH COVER LATCH ASSEMBLY 20"		
MATERIAL: SEE BOM		
PROJECT #:	R141217	SHEET #: 1 OF 1 SCALE: 1:1
PART #: LAL20TRAE		