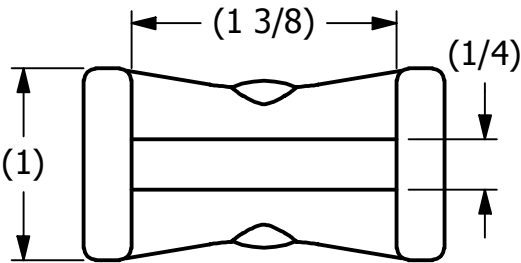
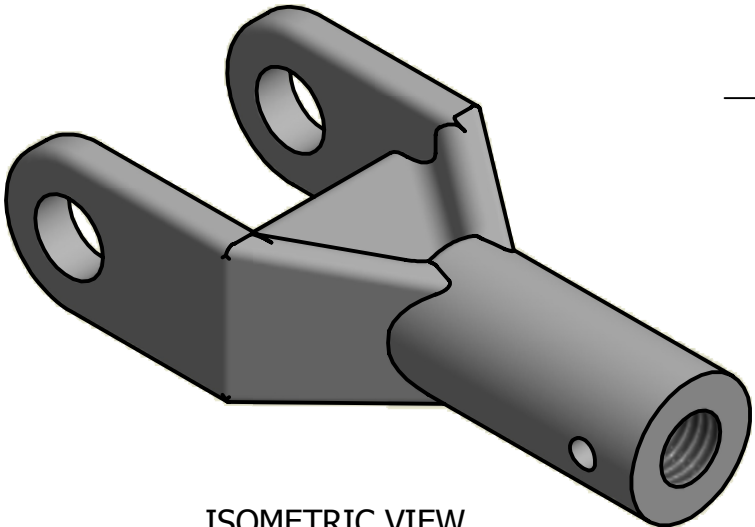
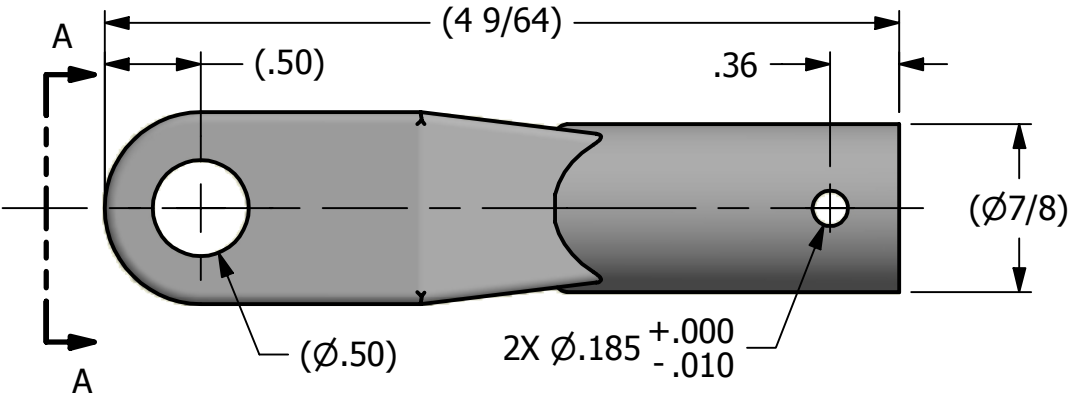
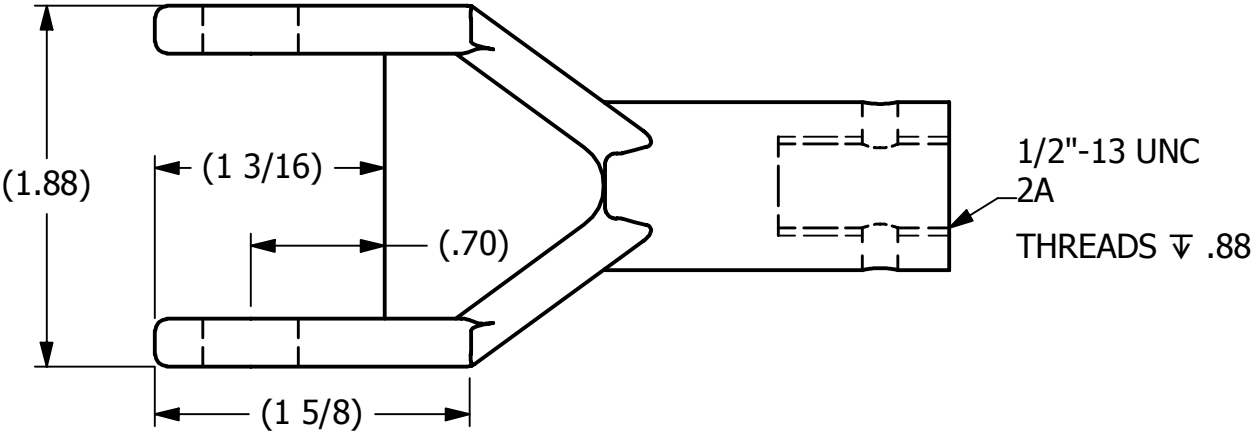


NO.	PART NAME	PART #	REQ'D	MATERIAL
1	SIDE LINK	SLEN20C	1	ALUMINUM



VIEW A-A



ISOMETRIC VIEW

NOTE:  
DEBURR ALL HOLES AND ROUND ALL CORNERS.

REV	BY	DATE	DESCRIPTION
B	BG	8-13-13	SPRING PIN HOLE WAS .19
A	BG	8-8-13	DRAWING RELEASED FOR PRODUCTION

UNLESS OTHERWISE SPECIFIED DIMENSIONAL TOLERANCES	DRAWN BY:	BG
FRACTIONAL: ±1/16	CHECKED BY:	CHL
X.XX: ±.03	PROTOTYPE BY:	BG
X.XXX: ±.015	PROTOTYPE DATE:	8/6/2008
ANGULAR: ±1°	APPROVED FOR PRODUCTION BY:	BG
THIRD ANGLE PROJECTION	PRODUCTION DATE:	8/8/2013

**SALCO PRODUCTS, INC.**

PART NAME: **SIDE LINK**

MATERIAL: **SEE BOM**

PROJECT #: **080514** SHEET #: **1 OF 1** SCALE: **1:1**

DRAWING #: **A25737** PART #: **SLEN20**