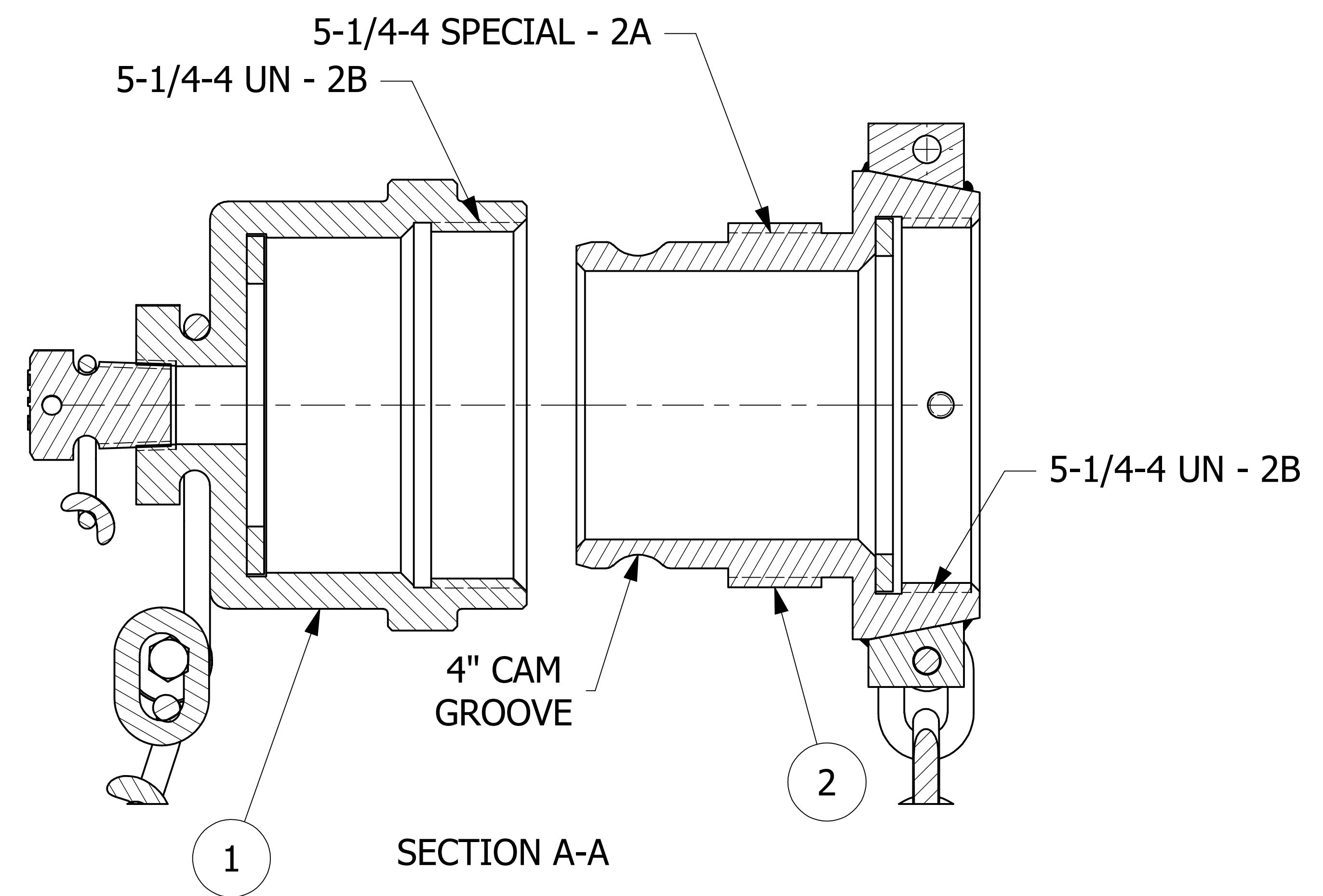
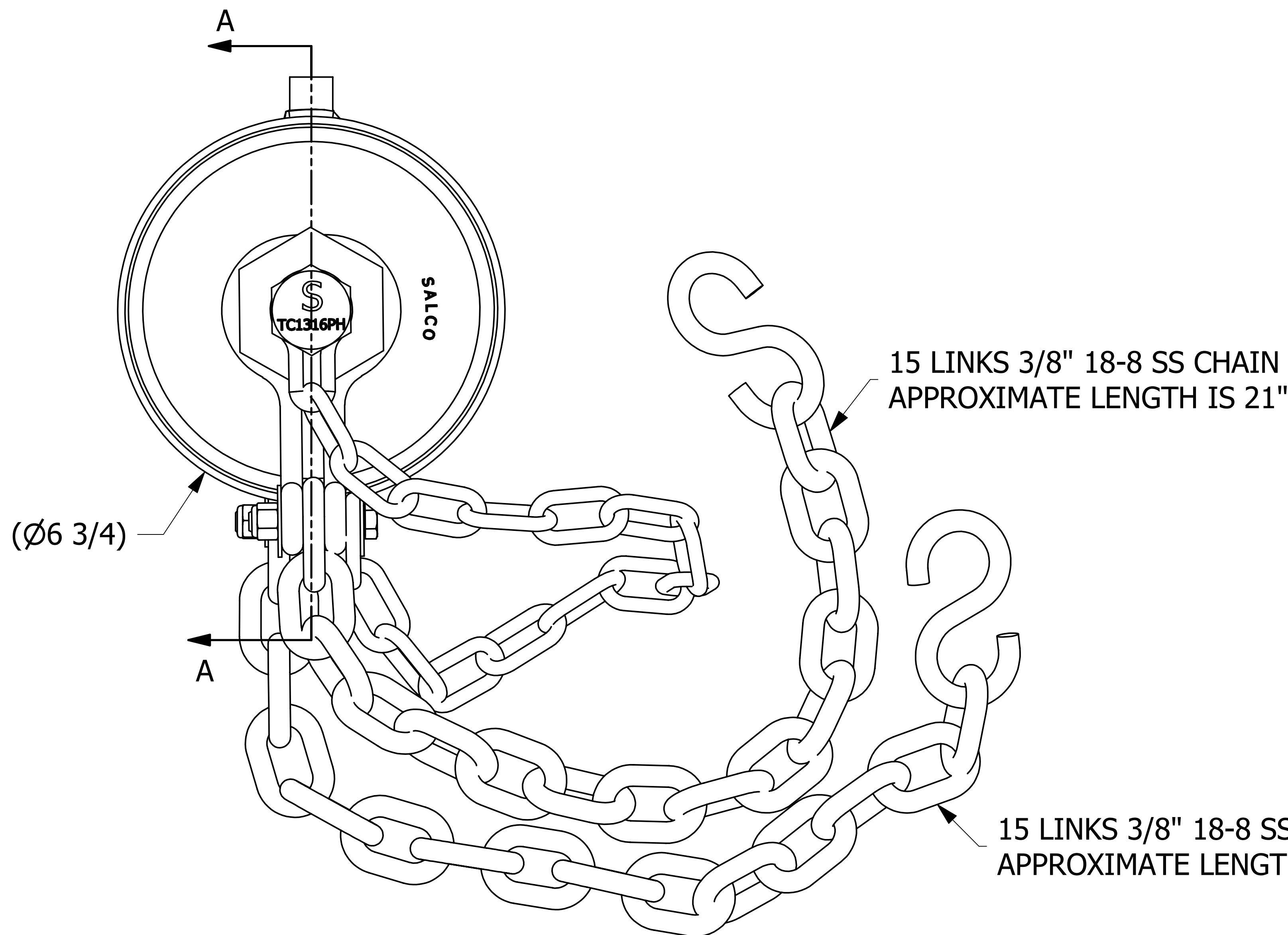


NO	PART NAME	PART#	REQ'D	MATERIAL
1	QUICK CONNECT CAP 4" THREADED	TE4S416DC29A	1	416 SS
2	QUICK CONNECT ADAPTER 4" THREAD ON	TE4SA29A	1	316 SS



- NOTE:**
1. UNLOADING ASSEMBLY IS DOT AND AAR APPROVED.
 2. AAR APPROVAL # IS E-149523.
 3. QUICK CONNECT MEETS A-A-59326D.
 4. APPROXIMATE HEIGHT IS 9".
 5. GASKETS ARE PEROXIDE BLACK EPDM.

UNLESS OTHERWISE SPECIFIED DIMENSIONAL TOLERANCES FRACTIONAL: ±1/16 X.XX: ±.03 X.XXX: ±.015 ANGULAR: ±1° DEBURR ALL SHARP EDGES. ALL MACHINED SURFACES TO HAVE A 125 RMS FINISH UNLESS NOTED OTHERWISE. THIRD ANGLE PROJECTION	DRAWN BY:	DGP
	CHECKED BY:	JRO
	PROTOTYPE BY:	DGP
	PROTOTYPE DATE:	7/2/2015
	APPROVED FOR PRODUCTION BY:	CHL
	PRODUCTION DATE:	7/13/2015

B	WEB	1-5-18	UPDATED VIEW OF TE4S416DC
A	RJP	7-13-15	RELEASED FOR PRODUCTION
REV	BY	DATE	DESCRIPTION
SALCO PRODUCTS, INC.			
PART NAME: QUICK CONNECT 4" THREAD ON			
MATERIAL: SEE BOM/NOTE			
PROJECT #:	R150701F	SHEET #:	1 OF 1
DRAWING #:	D41778	PART #:	TE4S416SU29A
SCALE: 3:4			