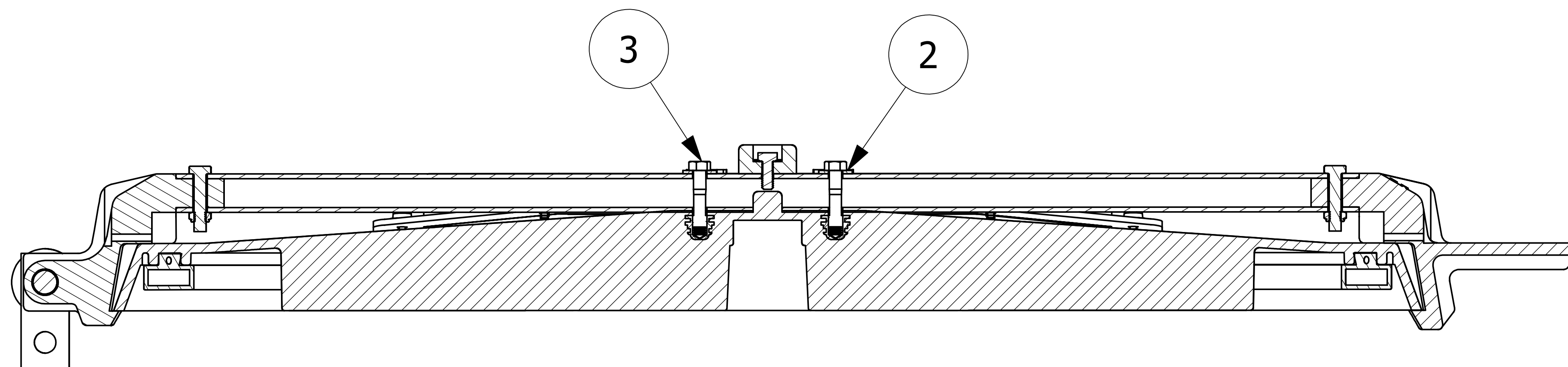
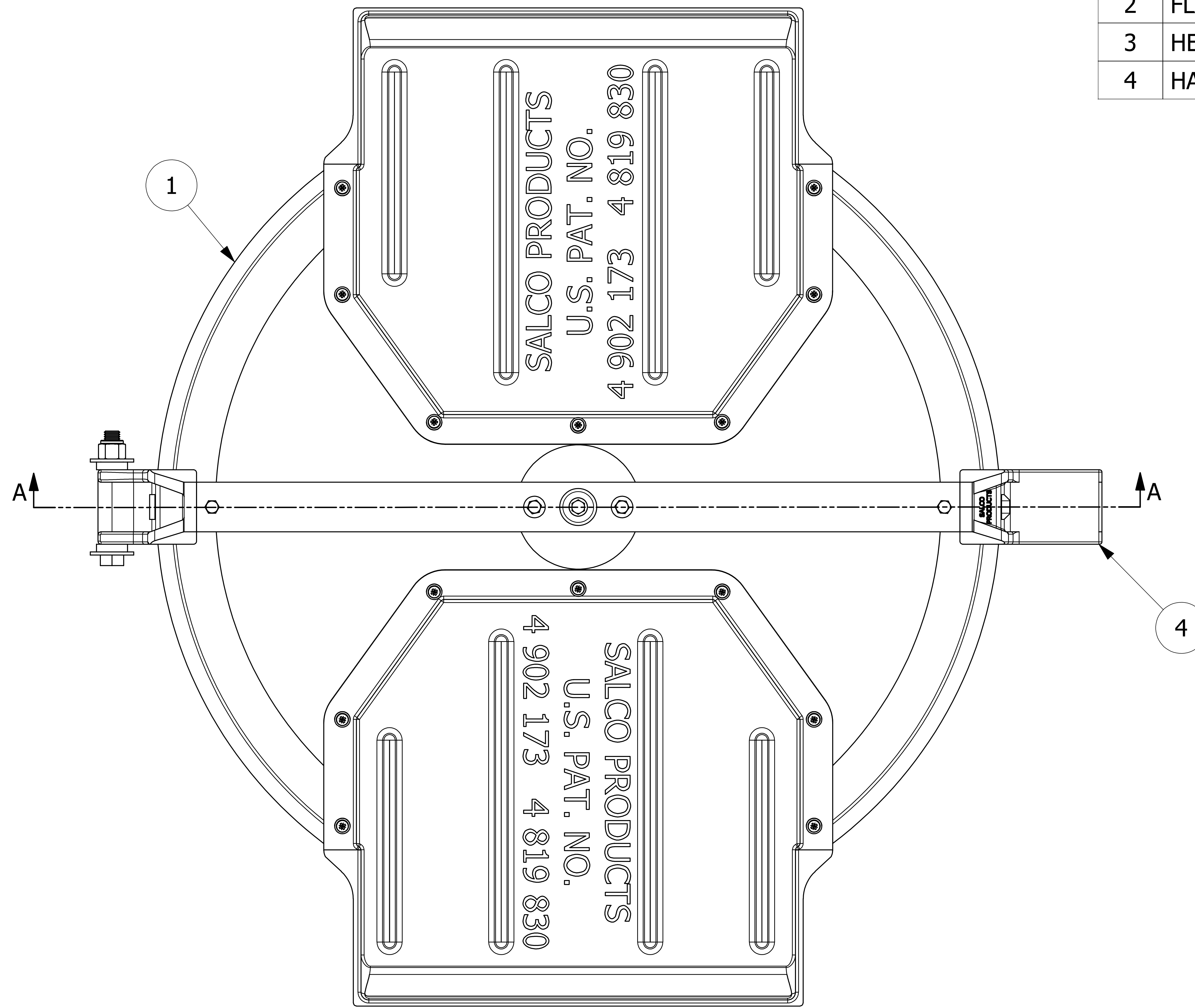


NO.	PART NAME	PART#	REQ'D	MATERIAL
1	VENTED HATCH COVER 30"	VPHC3007AS	1	SEE DWG
2	FLAT WASHER 5/16" USS	WASH516SS	2	18-8 SS
3	HEX BOLT 5/16"-18X1 1/2"	HB51615SS	2	18-8 SS
4	HATCH COVER ARM ASSEMBLY 30"	AE3007ACA	1	SEE DWG



SECTION A-A

A	BG	1/30/14	DRAWING RELEASED FOR PRODUCTION
REV	BY	DATE	DESCRIPTION

UNLESS OTHERWISE SPECIFIED DIMENSIONAL TOLERANCES	DRAWN BY:	BG
FRACTIONAL: ±1/16	CHECKED BY:	PJG
X.XX: ±.03	PROTOTYPE BY:	BG
X.XXX: ±.015	PROTOTYPE DATE:	11/28/2007
ANGULAR: ±1°	APPROVED FOR PRODUCTION BY:	BG
THIRD ANGLE PROJECTION	PRODUCTION DATE:	1/30/2014

SALCO PRODUCTS, INC.		
PART NAME: HATCH COVER 30"		
MATERIAL: SEE BOM		
PROJECT #:	SHEET #:	SCALE:
060314	1 OF 1	1/2
DRAWING #:	PART #:	
E24506	VPHC3007ACA	