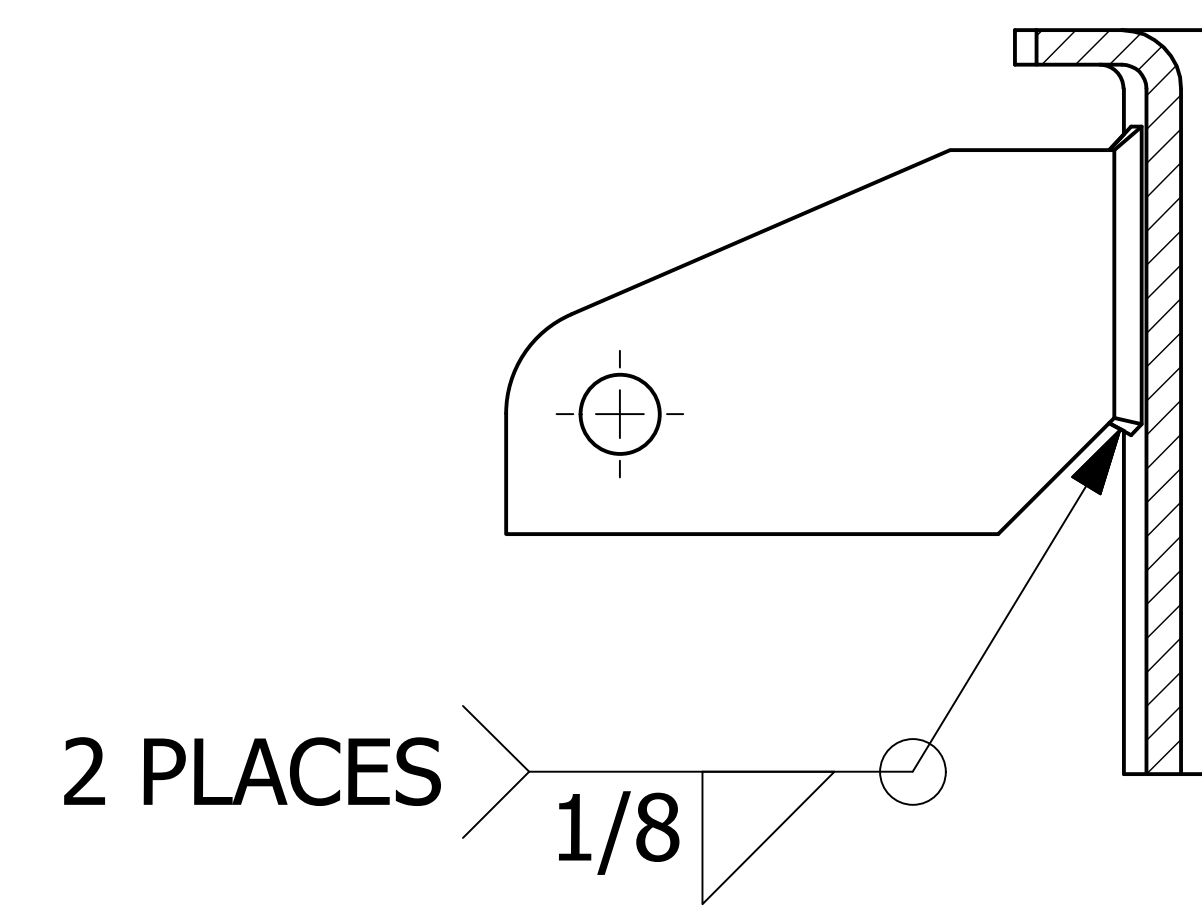
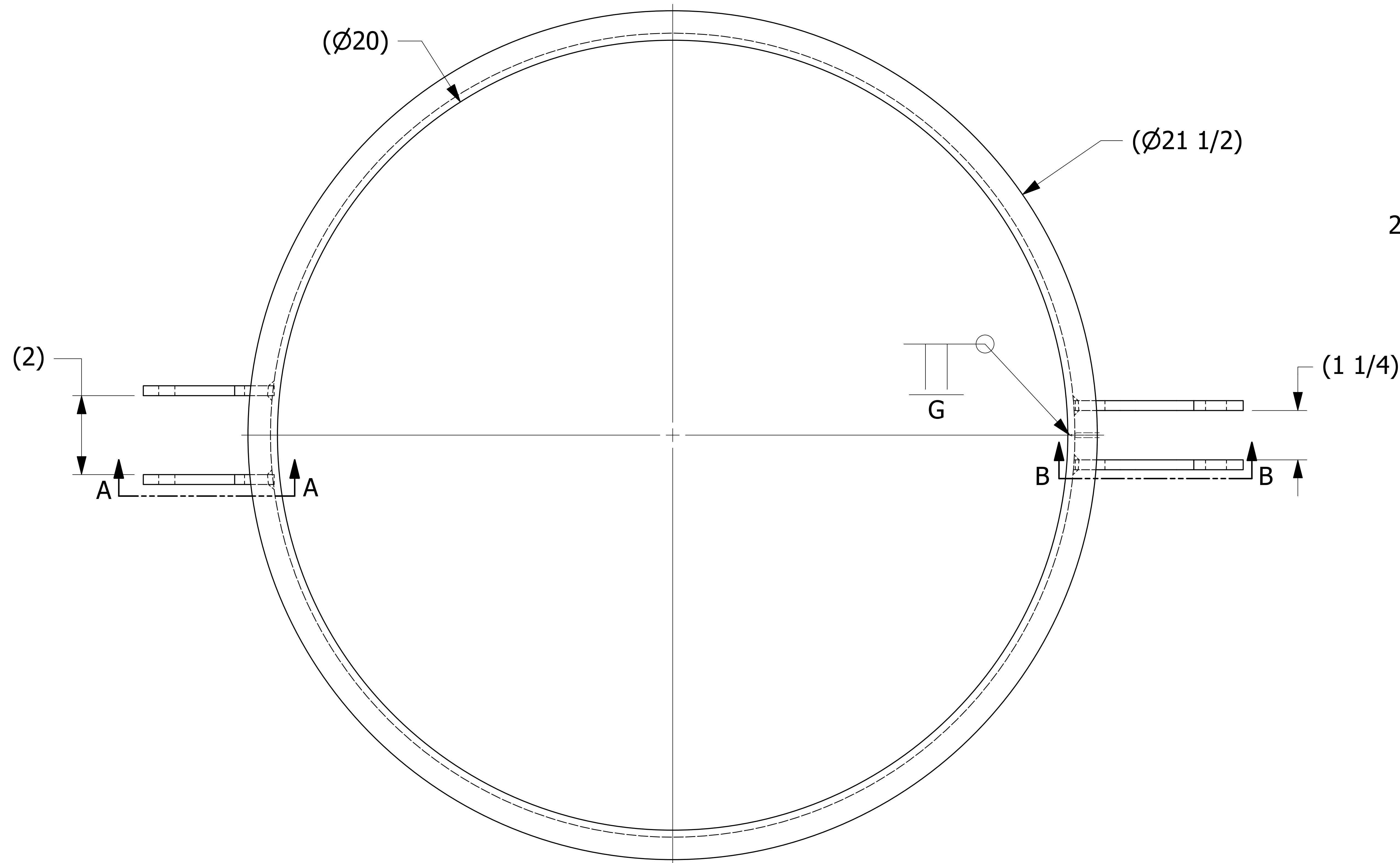
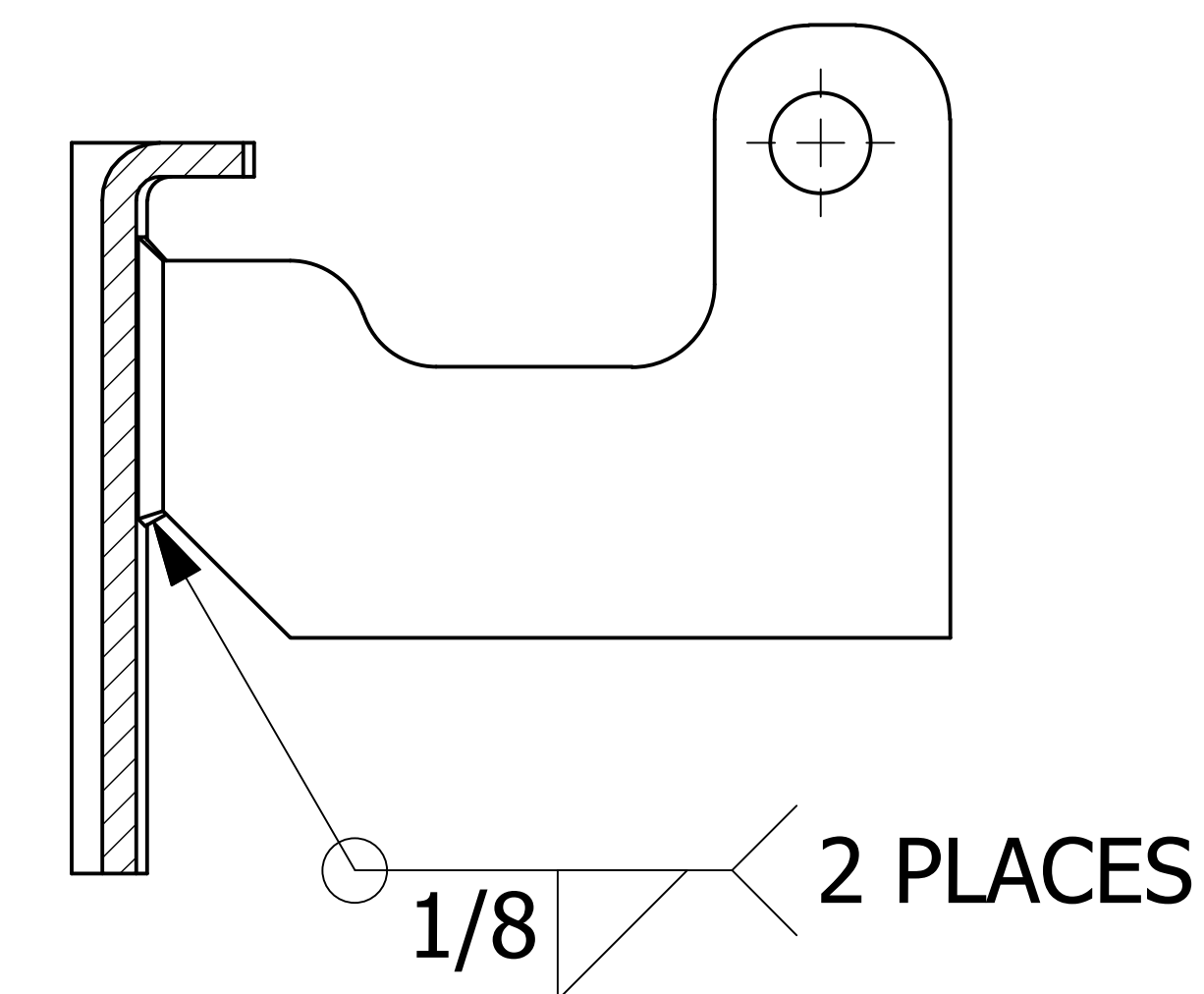


SALES DRAWING SALES DRAWING SALES DRAWING

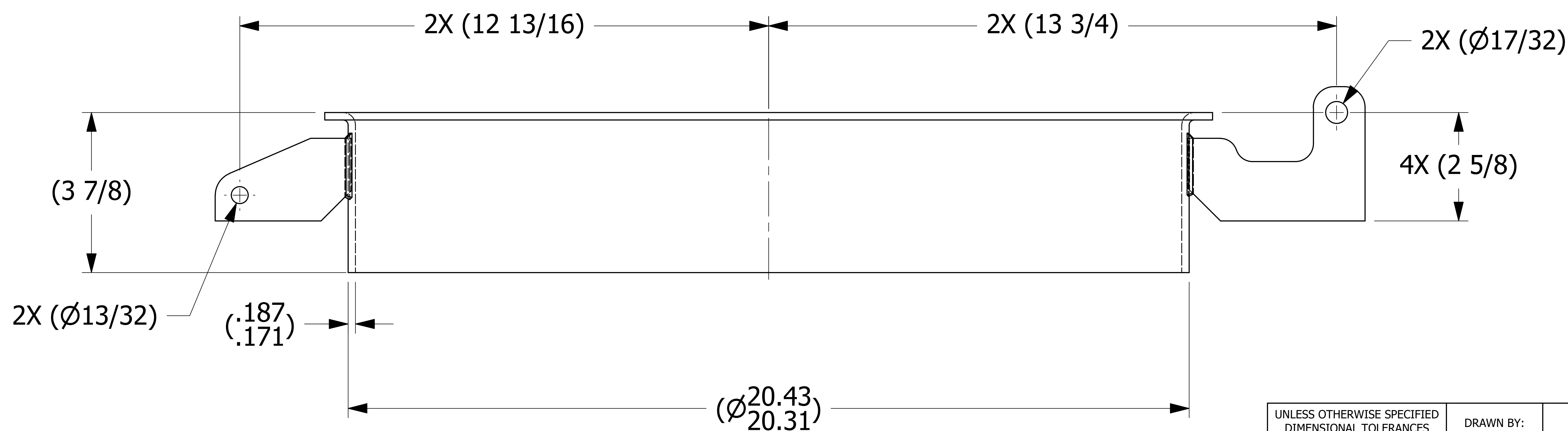
SALES DRAWING SALES DRAWING SALES DRAWING



SECTION A-A
SCALE 1 : 1



SECTION B-B
SCALE 1 : 1



- NOTES:
- PART IS GLASS BEAD BLASTED OR SS SHOT.
 - USE WITH SALCO'S RSAHC20TRB & VHCS98TRB STYLE HATCH COVERS.

REV	BY	DATE	DESCRIPTION
D	CHL	11-7-18	ADDED NOTE #2
C	CHL	6-9-17	UPDATED VIEW OF HCR20SSNVTRUB, DIM Ø21.56/21.44 WAS Ø21 1/2
B	CHL	12-7-16	DIM Ø20.43/20.31 WAS Ø20.44/20.32
A	CHL	10-14-16	RELEASED FOR PRODUCTION

UNLESS OTHERWISE SPECIFIED DIMENSIONAL TOLERANCES FRACTIONAL: ±1/16 X.XX: ±.03 X.XXX: ±.015 ANGULAR: ±1° DEBURR ALL SHARP EDGES. ALL MACHINED SURFACES TO HAVE A 125 RMS FINISH UNLESS NOTED OTHERWISE.	DRAWN BY: JG
THIRD ANGLE PROJECTION	CHECKED BY: CHL
	PROTOTYPE BY: JG
	PROTOTYPE DATE: 8/20/2015
	APPROVED FOR PRODUCTION BY: EJF
	PRODUCTION DATE: 10/14/2016

SALCO PRODUCTS, INC.

PART NAME: **HATCH RING 20"**

MATERIAL: **316 SS**

PROJECT #: **R150819** SHEET #: **1 OF 1** SCALE: **3:4**

DRAWING #: **E42135** PART #: **HCR20SSNVTR**