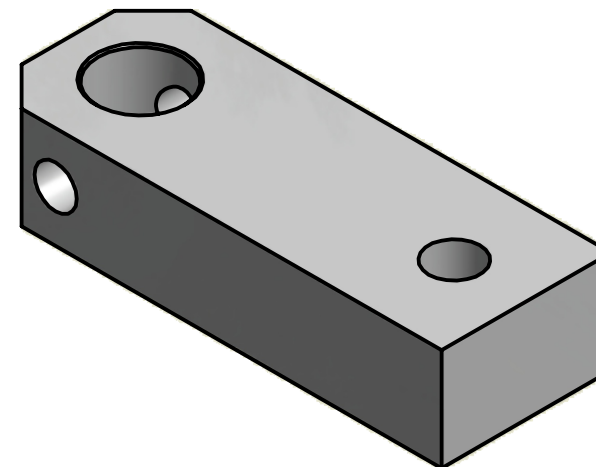
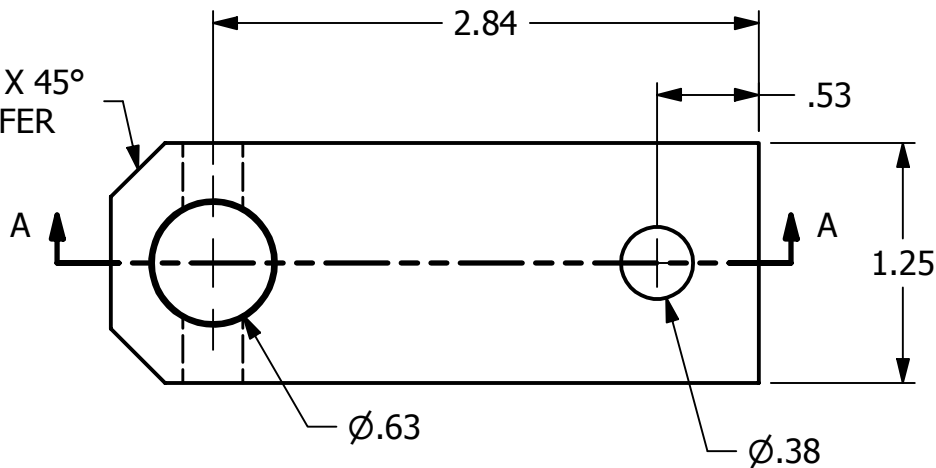


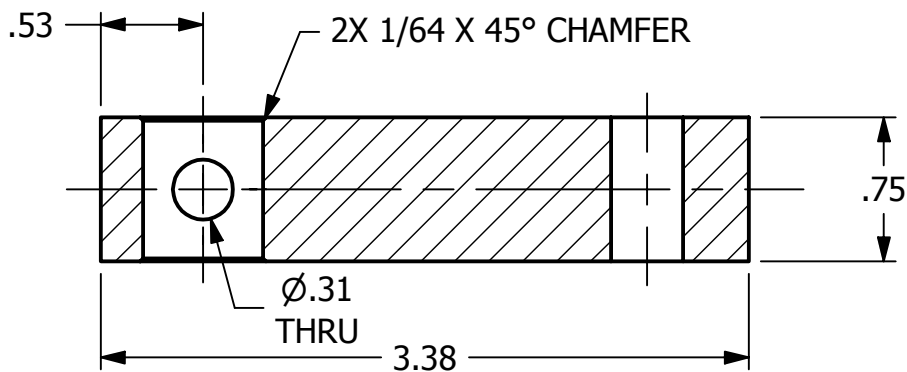
2

1

2X 9/32 X 45°  
CHAMFER



ISOMETRIC VIEW



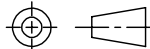
SECTION A-A

NOTE:  
DEBURR ALL HOLES AND ROUND ALL CORNERS.

A	JG	11-03-14	RELEASED FOR PRODUCTION
REV	BY	DATE	DESCRIPTION

UNLESS OTHERWISE SPECIFIED  
DIMENSIONAL TOLERANCES  
FRACTIONAL: ±1/16  
X.XX: ±.03  
X.XXX: ±.015  
ANGULAR: ±1°  
DEBURR ALL SHARP EDGES.  
ALL MACHINED SURFACES TO  
HAVE A 125 RMS FINISH  
UNLESS NOTED OTHERWISE.

THIRD ANGLE PROJECTION



DRAWN BY:	RJP
CHECKED BY:	CHL
PROTOTYPE BY:	RJP
PROTOTYPE DATE:	3/28/2014
APPROVED FOR PRODUCTION BY:	BG
PRODUCTION DATE:	11/3/2014

			PART NAME: VALVE LEVER
MATERIAL: 6061-T6 ALUMINUM			
PROJECT #:	080514	SHEET #:	1 OF 1
SCALE:	1:1		
DRAWING #:	A38711	PART #:	VLEN30447-1

2

1