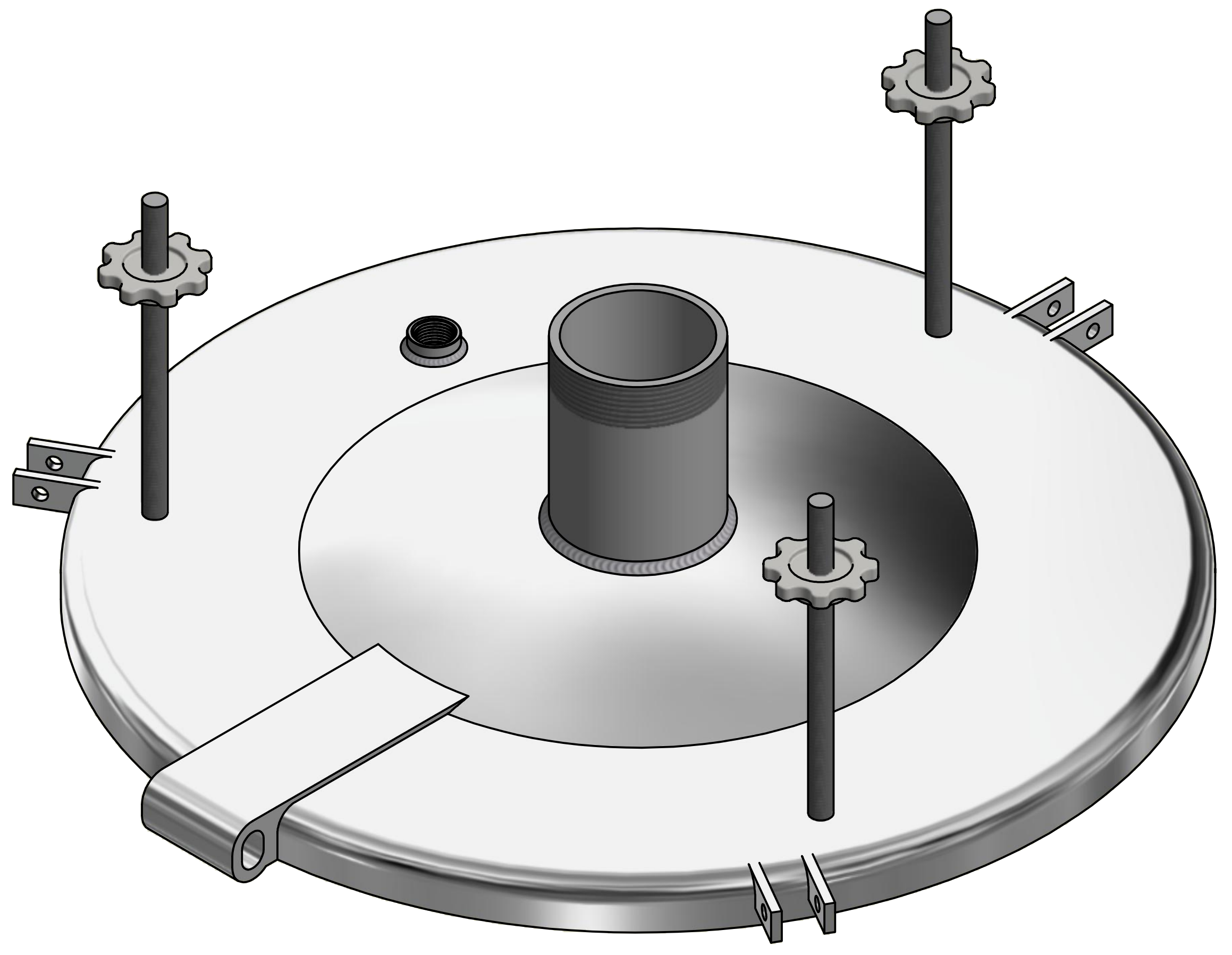
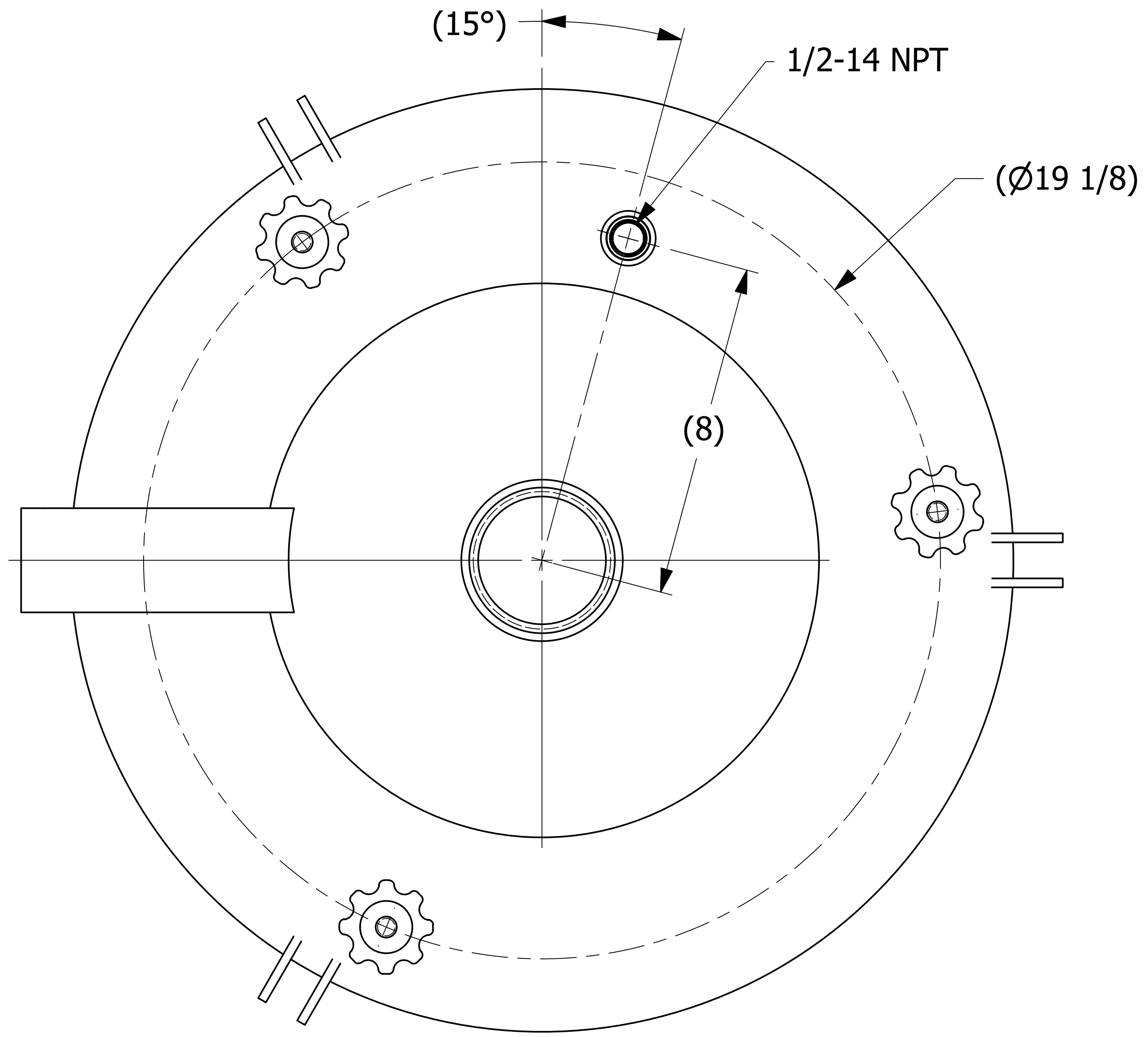
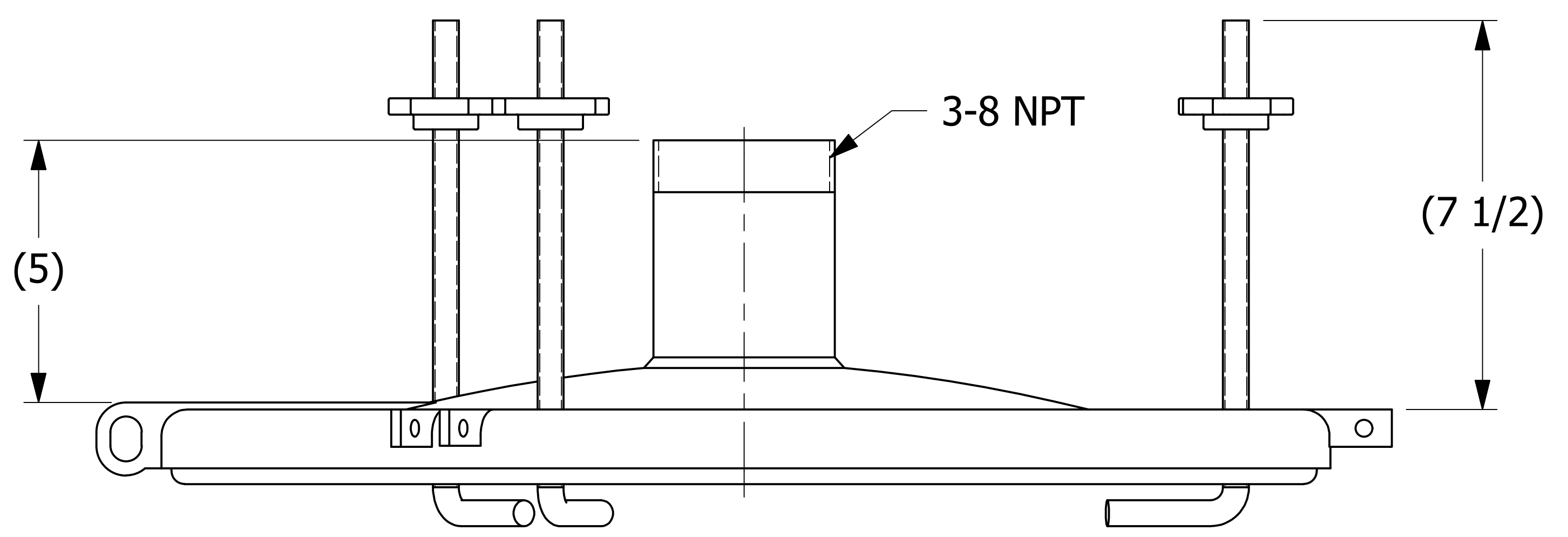


SALES DRAWING SALES DRAWING SALES DRAWING SALES DRAWING SALES DRAWING

SALES DRAWING SALES DRAWING SALES DRAWING SALES DRAWING SALES DRAWING



ISOMETRIC VIEW



UNLESS OTHERWISE SPECIFIED
DIMENSIONAL TOLERANCES

FRACTIONAL: ±1/16

X.XX: ±.03

X.XXX: ±.015

ANGULAR: ±1°

DEBURR ALL SHARP EDGES.
ALL MACHINED SURFACES TO
HAVE A 125 RMS FINISH
UNLESS NOTED OTHERWISE.

THIRD ANGLE PROJECTION

DRAWN BY:	VD
CHECKED BY:	PJG
PROTOTYPE DATE:	10/16/2009
APPROVED FOR PRODUCTION BY:	CHL
PRODUCTION DATE:	8/10/2015
SIZE:	D
DRAWING #:	27648

B	TAK	11/12/19	201911121608	TAK
REV	BY	DATE	REF #	PUB
SALCO PRODUCTS, INC.				
PART NAME: LOADING COVER 20"				
MATERIAL: ALUMINUM/SS/VINYL				
PROJECT #: 091011			SHEET #: 1 OF 1	
PART #: LC20A2A			SCALE: 1:2	