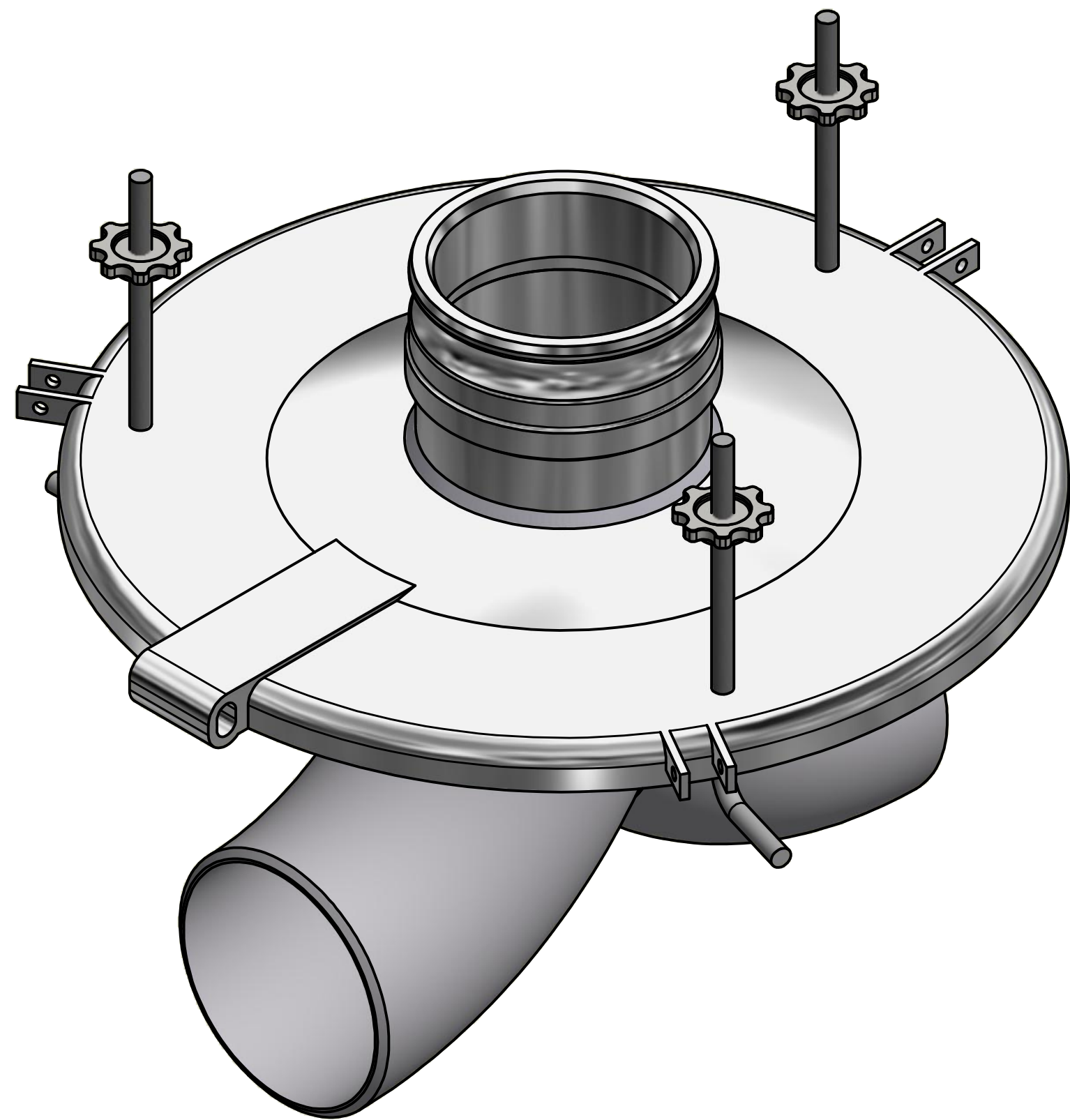
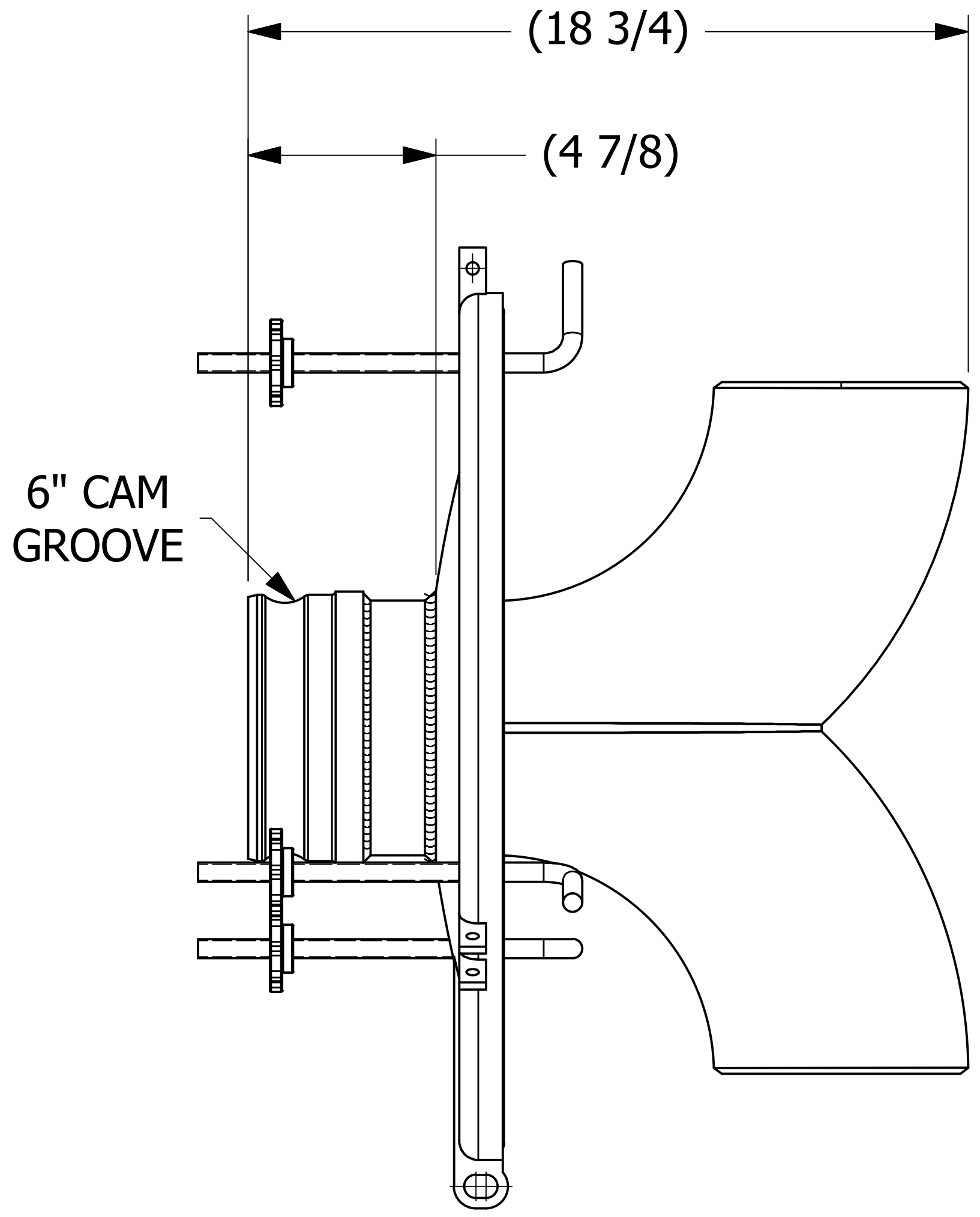
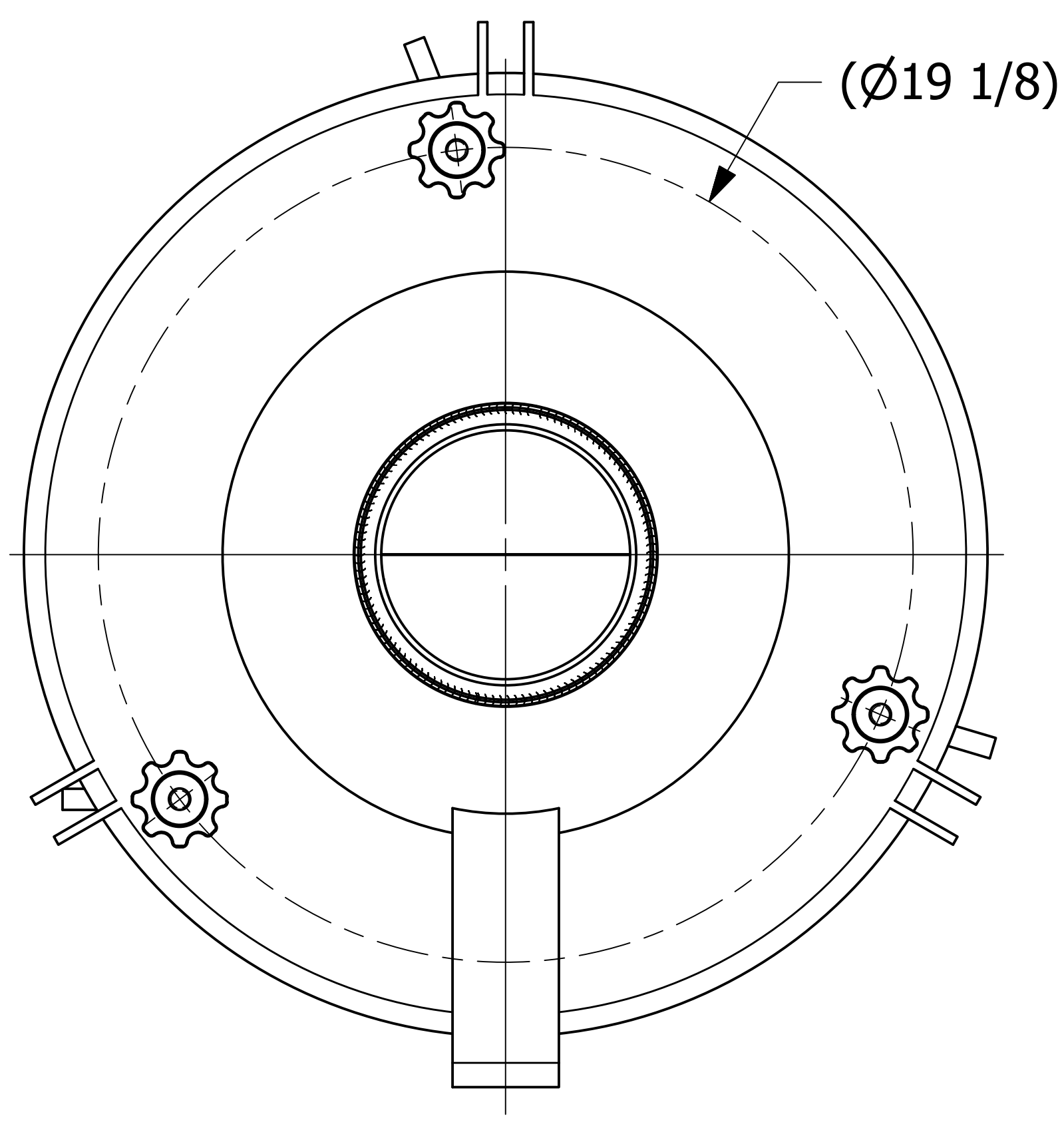


SALES DRAWING SALES DRAWING SALES DRAWING SALES DRAWING SALES DRAWING

SALES DRAWING SALES DRAWING SALES DRAWING SALES DRAWING SALES DRAWING



ISOMETRIC VIEW

UNLESS OTHERWISE SPECIFIED  
DIMENSIONAL TOLERANCES

FRACTIONAL: ±1/16  
X.XX: ±.03  
X.XXX: ±.015  
ANGULAR: ±1°

DEBURR ALL SHARP EDGES.  
ALL MACHINED SURFACES TO  
HAVE A 125 RMS FINISH  
UNLESS NOTED OTHERWISE.

THIRD ANGLE PROJECTION

DRAWN BY:	JJK
CHECKED BY:	JRO
PROTOTYPE DATE:	11/26/2013
APPROVED FOR PRODUCTION BY:	CHL
PRODUCTION DATE:	2/21/2014
SIZE:	D
DRAWING #:	37819

E	CHL	8/3/21	202108031035	CHL
REV	BY	DATE	REF #	PUB
<b>SALCO PRODUCTS, INC.</b>				
PART NAME: <b>LOADING COVER ASSEMBLY</b>				
MATERIAL: <b>ALUMINUM</b>				
PROJECT #: <b>131119</b>			SHEET #: <b>1 OF 1</b>	SCALE: <b>1 : 3</b>
PART #: <b>LC20A4A</b>				