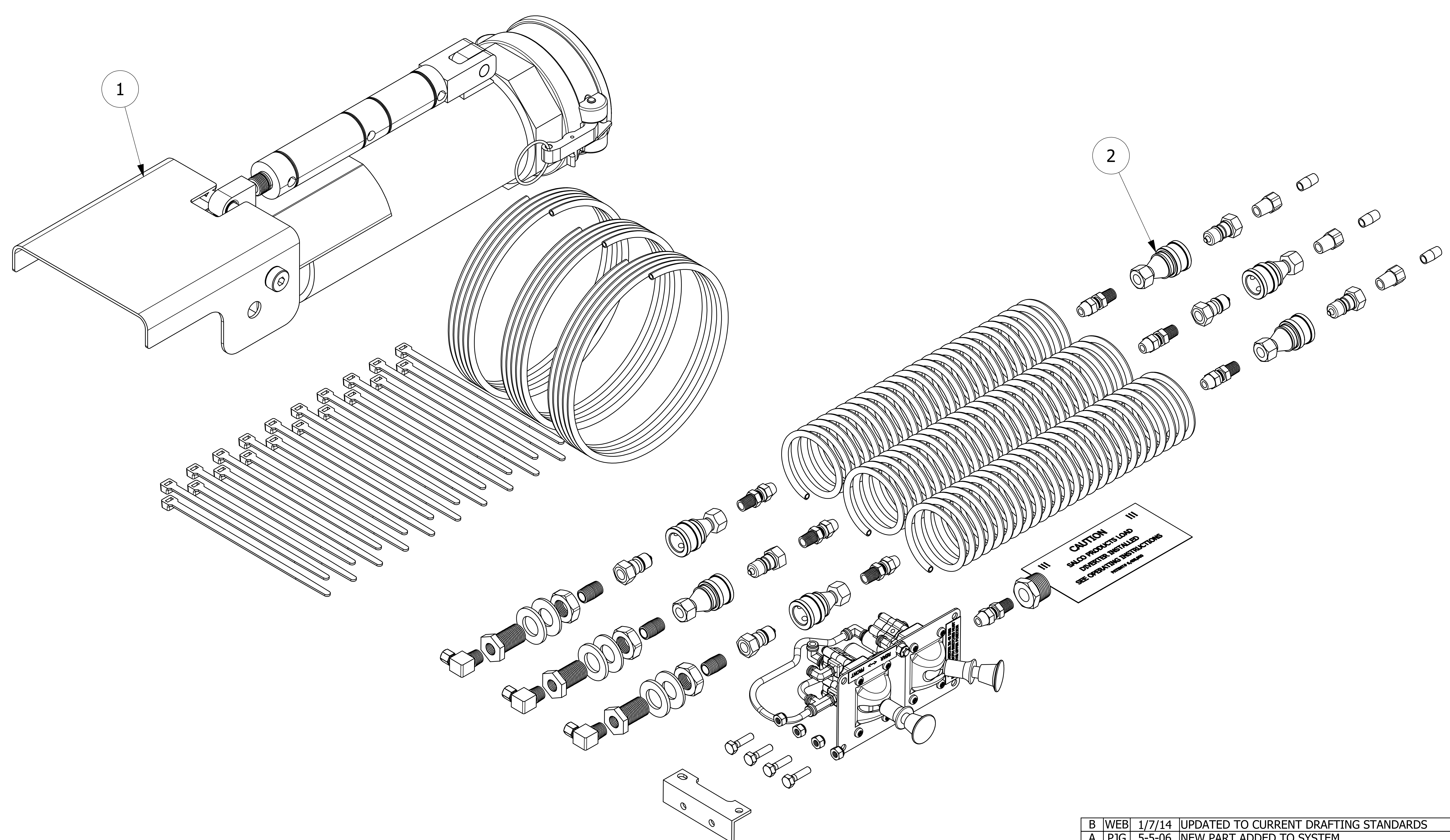


NO.	PART NAME	PART#	REQ'D	MATERIAL
1	LOAD DIVERTER 4"	LD43P	1	VARIOUS
2	LOAD DIVERTER MANUAL 3 POSITION KIT	LDM3PTKP2	1	VARIOUS



B	WEB	1/7/14	UPDATED TO CURRENT DRAFTING STANDARDS
A	PJG	5-5-06	NEW PART ADDED TO SYSTEM
REV	BY	DATE	DESCRIPTION

UNLESS OTHERWISE SPECIFIED DIMENSIONAL TOLERANCES FRACTIONAL: $\pm 1/16$ X.XX: $\pm .03$ X.XXX: $\pm .015$ ANGULAR: $\pm 1^\circ$ DEBURR ALL SHARP EDGES. ALL MACHINED SURFACES TO HAVE A 125 RMS FINISH UNLESS NOTED OTHERWISE. THIRD ANGLE PROJECTION	DRAWN BY: PJG
	CHECKED BY:
	PROTOTYPE BY: PJG
	PROTOTYPE DATE: 2/6/2006
	APPROVED FOR PRODUCTION BY: PJG
	PRODUCTION DATE: 4/19/2006

SALCO PRODUCTS, INC.

LOAD DIVERTER 4"

SEE BOM

PROJECT #: 050114 SHEET #: 1 OF 1 SCALE: 3:4

DRAWING #: **E21542** PART #: **LD43PMP2A**