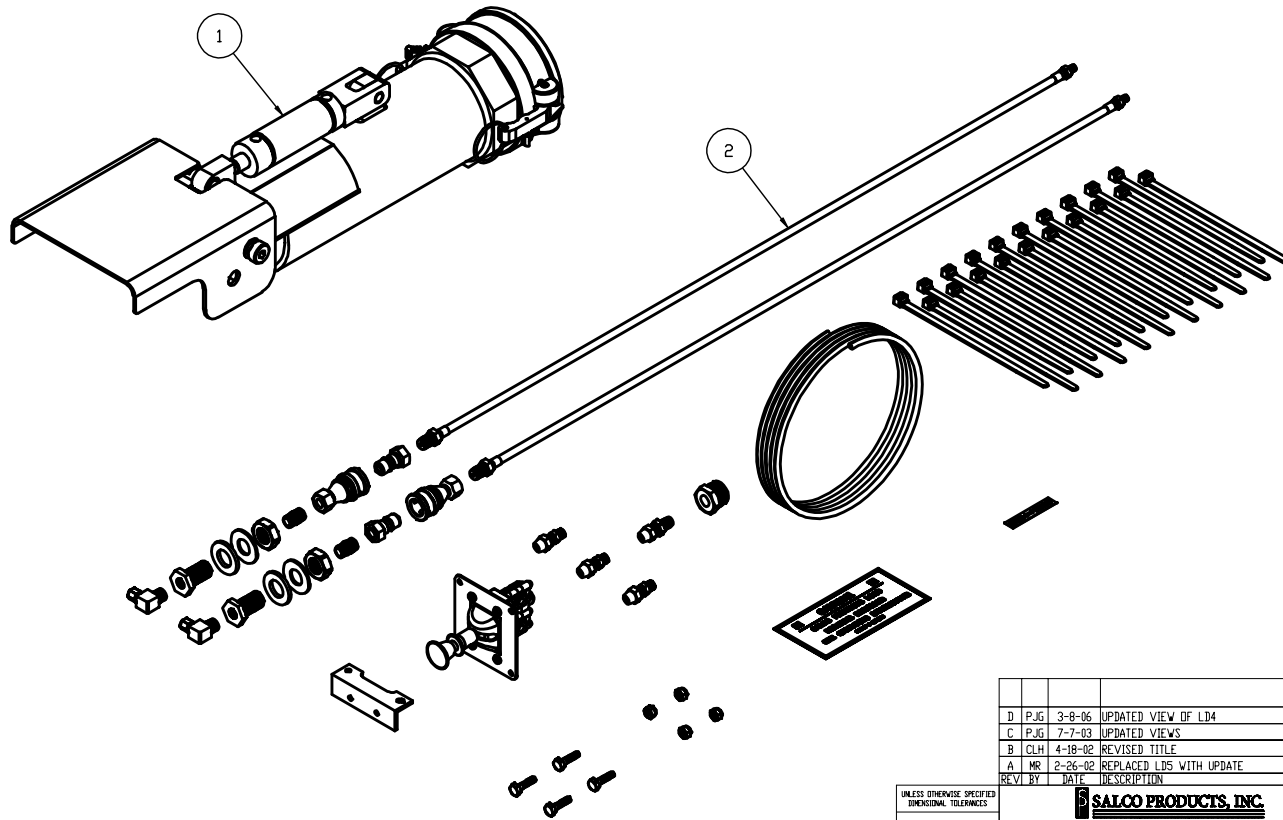


NO	PART NAME	PART #	REQ'D	MATERIAL
1	LOAD DIVERTER 4"	LD4	1	SEE DWG
2	LOAD DIVERTER MANUAL TRAILER KIT	LDMTK	1	SEE DWG



D	PJG	3-8-06	UPDATED VIEW OF LD4
C	PJG	7-7-03	UPDATED VIEWS
B	CLH	4-18-02	REVISED TITLE
A	MR	2-26-02	REPLACED LBS WITH UPDATE
	REV BY	DATE	DESCRIPTION

UNLESS OTHERWISE SPECIFIED DIMENSIONAL TOLERANCES		SALCO PRODUCTS, INC.	
FRACTIONAL	±1/16	DRAWN BY	MRC
XXX	±0.03	CHKD BY	
XXXX	±0.015	SCALE	3/4:1
ANGULAR	±2°	MATERIAL	SEE BOM
		PART NAME	LOAD DIVERTER ASSY 4 MANUAL
		PROJECT NO	101018
		PRODUCTION DATE	
		APPROVED TYP	MR
		PRODUCTION	
		DRAWING NO	E16306
		PART #	LD4MA