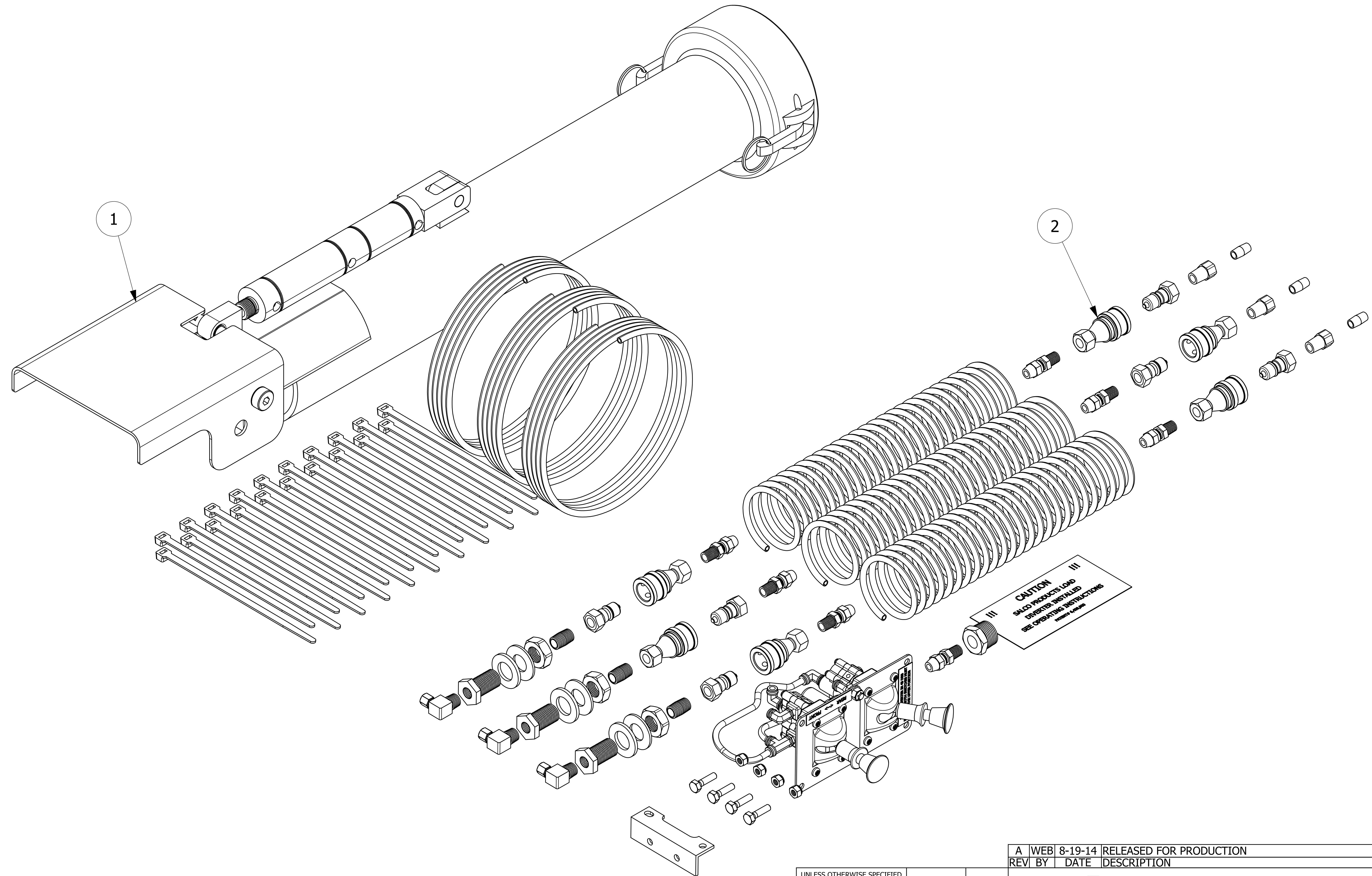


NO.	PART NAME	PART#	REQ'D	MATERIAL
1	LOAD DIVERTER 5" X 4"	LD543P	1	ALUMINUM
2	LOAD DIVERTER MANUAL 3 POSITION KIT	LDM3PTKP2	1	BRASS



A WEB 8-19-14 RELEASED FOR PRODUCTION  
 REV BY DATE DESCRIPTION

UNLESS OTHERWISE SPECIFIED DIMENSIONAL TOLERANCES FRACTIONAL: $\pm 1/16$ X.XX: $\pm .03$ X.XXX: $\pm .015$ ANGULAR: $\pm 1^\circ$ DEBURR ALL SHARP EDGES. ALL MACHINED SURFACES TO HAVE A 125 RMS FINISH UNLESS NOTED OTHERWISE. THIRD ANGLE PROJECTION	DRAWN BY:	WEB
	CHECKED BY:	WRB
	PROTOTYPE BY:	WEB
	PROTOTYPE DATE:	8/4/2014
	APPROVED FOR PRODUCTION BY:	WEB
	PRODUCTION DATE:	8/19/2014

**SALCO PRODUCTS, INC.**

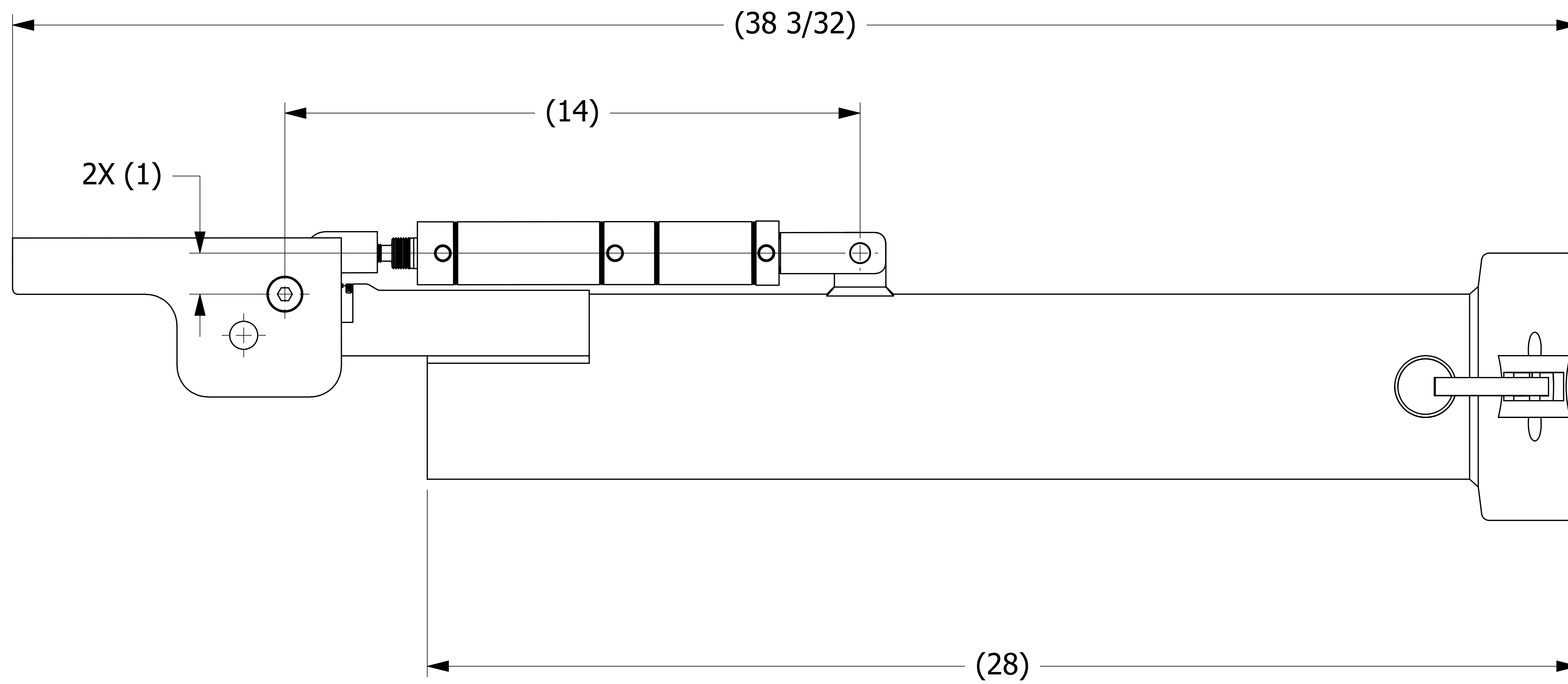
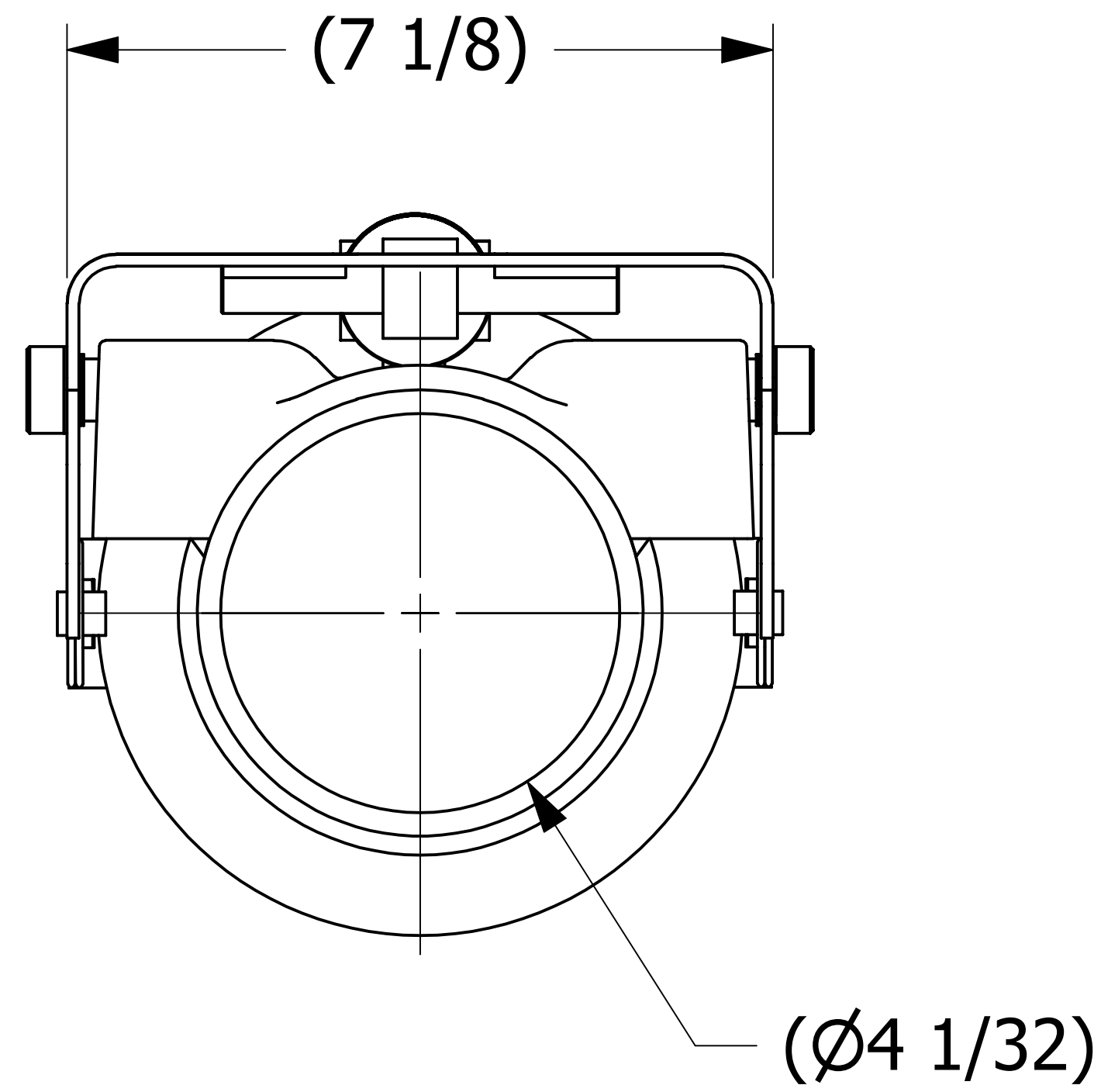
**LOAD DIVERTER 5" X 4"**

**SEE BOM**

PROJECT #: R1407311 SHEET #: 1 OF 2 SCALE: 3:4

DRAWING #: **E39678** PART #: **LD543PMP2A**

THIS PRINT, PROPERTY OF SALCO PRODUCTS INC. CONTAINS PROPRIETARY INFORMATION AND MUST NOT BE COPIED, REPRODUCED, OR USED DETRIMENTALLY TO OUR INTEREST.



NOTE:  
APPROXIMATE WEIGHT IS 15 LBS.

A	WEB	8-19-14	RELEASED FOR PRODUCTION
REV	BY	DATE	DESCRIPTION

UNLESS OTHERWISE SPECIFIED DIMENSIONAL TOLERANCES FRACTIONAL: ±1/16 X.XX: ±.03 X.XXX: ±.015 ANGULAR: ±1° DEBURR ALL SHARP EDGES. ALL MACHINED SURFACES TO HAVE A 125 RMS FINISH UNLESS NOTED OTHERWISE. THIRD ANGLE PROJECTION	DRAWN BY:	WEB
	CHECKED BY:	WRB
	PROTOTYPE BY:	WEB
	PROTOTYPE DATE:	8/4/2014
	APPROVED FOR PRODUCTION BY:	WEB
	PRODUCTION DATE:	8/19/2014

<b>SALCO PRODUCTS, INC.</b>		
PART NAME: <b>LOAD DIVERTER 5" X 4"</b>		
MATERIAL: <b>SEE BOM</b>		
PROJECT #:	SHEET #:	SCALE:
R1407311	2 OF 2	3:4
DRAWING #:	PART #:	
E39678	LD543PMP2A	