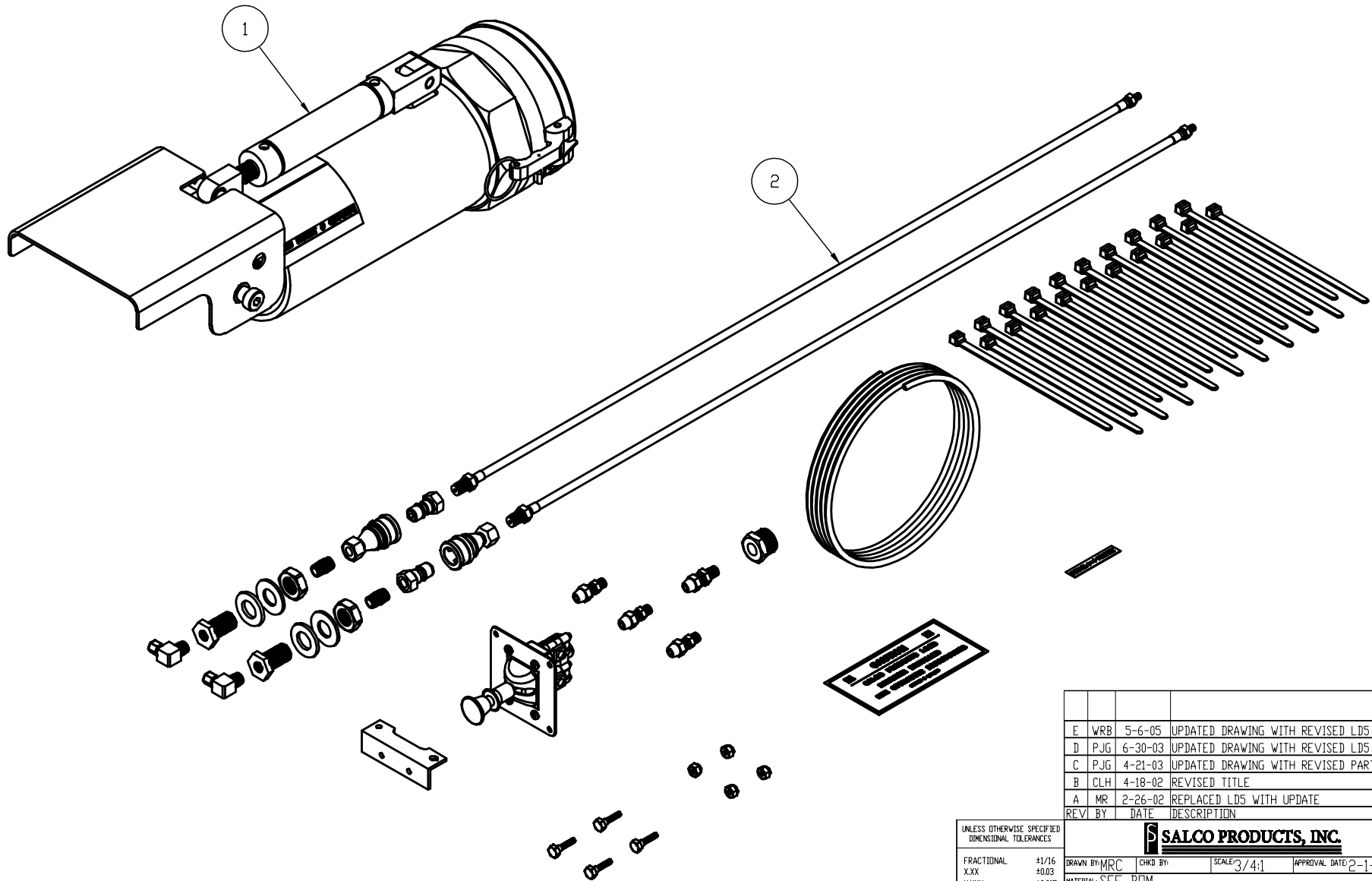


NO.	PART NAME	PART #	REQ'D	MATERIAL
1	LOAD DIVERTER 5"	LD5	1	SEE DWG
2	LOAD DIVERTER MANUAL TRAILER KIT	LDMTK	1	SEE DWG



REV#	BY	DATE	DESCRIPTION
E	WRB	5-6-05	UPDATED DRAWING WITH REVISED LD5
D	PJG	6-30-03	UPDATED DRAWING WITH REVISED LD5
C	PJG	4-21-03	UPDATED DRAWING WITH REVISED PARTS
B	CLH	4-18-02	REVISED TITLE
A	MR	2-26-02	REPLACED LD5 WITH UPDATE

UNLESS OTHERWISE SPECIFIED  
DIMENSIONAL TOLERANCES

FRACTIONAL	±1/16
X.XX	±0.03
X.XXX	±0.015
ANGULAR	±1°



DRAWN BY: MRC	CHKD BY:	SCALE: 3/4:1	APPROVAL DATE: 2-1-02
MATERIAL: SEE BOM			
PART NAME: LOAD DIVERTER ASSY 5 MANUAL			

THIS PRINT PROPERTY OF SALCO PRODUCTS INC.  
CONTAINING PROPRIETARY INFORMATION AND MUST  
NOT BE COPIED, REPRODUCED, OR USED  
WITHOUT WRITTEN PERMISSION FROM SALCO  
PRODUCTS, INC.

PROJECT # 010118	PROTOTYPE AND DATE:	APPROVED FOR MR PRODUCTION:
DRAWING # E16310	PART # LD5MA	

