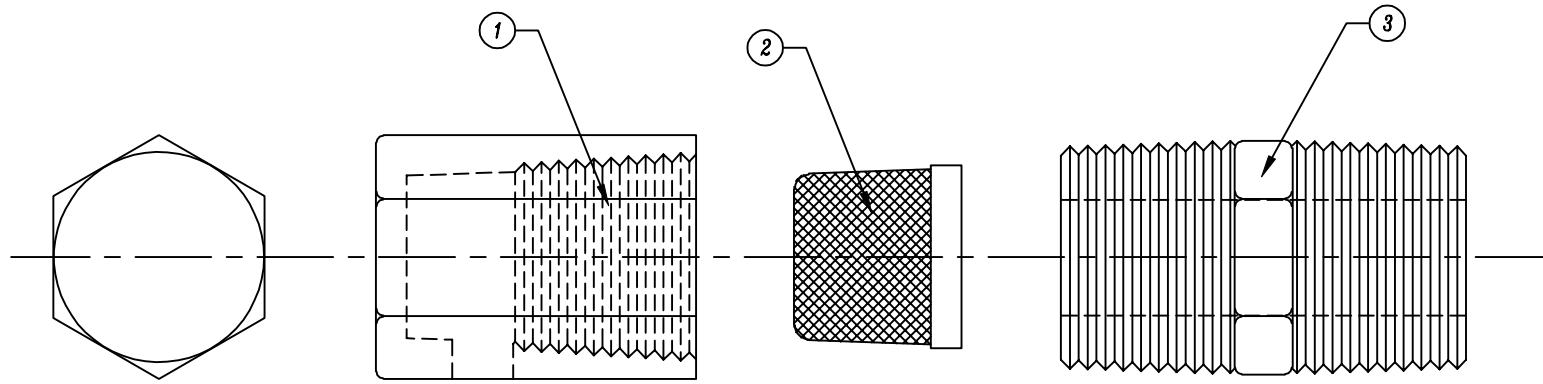


NO.	PART NAME	PART #	REQ'D	MATERIAL
1	PLASTIC HATCH RING VENT	HRP20V	1	NYLON
2	HATCH RING VENT SCREEN	HR20VS	1	SS/RUBBER
3	1/2" NPT MALE TO MALE NIPPLE	HR20N	1	NYLON



SALCO PRODUCTS

HATCH RING VENT ASS'Y (PLASTIC)

FILE HR20VAP	DRAWN DATE BRW 3-22-96	PART NO. HR20VAP
MATERIAL SEE BOM	SCALE 2:1	SIZE B
	DIR CVHOPP/VENTS	DWG NO. B8075

THIS PRINT, PROPERTY OF SALCO PRODUCTS INC., CONTAINS PROPRIETARY INFORMATION AND MUST NOT BE COPIED, REPRODUCED, OR USED IN WHOLE OR IN PART WITHOUT THE WRITTEN CONSENT OF SALCO PRODUCTS INC.