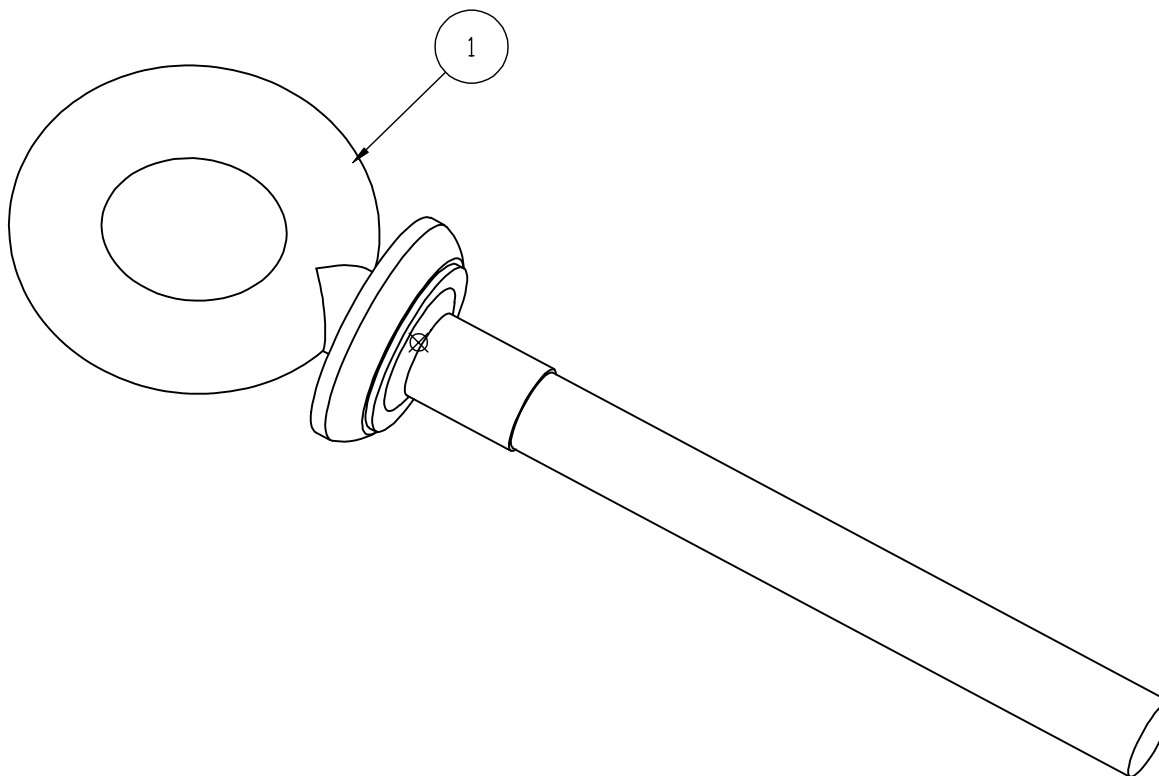


NO.	PART NAME	PART #	REQ'D	MATERIAL
1	EYEBOLT ASSY LATCH 1/2X6 CS	EB205SA	1	SEE NOTE 1
2	COATING TEFLON	EB205TC	1	SEE NOTE 2



NOTE:

1. FOR MATERIAL INFORMATION REFER TO DWG# B7466 PART# EB205SA
2. ENTIRE ASSEMBLY TO BE TEFLON COATED BLACK TFE OR PTFE

REV	BY	DATE	DESCRIPTION
C	ACC	12-28-99	REDRAWN IN 3D
B	FDD	4-9-99	CHANGED BOM AND PLACED NOTE
A	ACC	3-30-99	WAS EB205T

UNLESS OTHERWISE SPECIFIED DIMENSIONAL TOLERANCES	
FRACTIONAL	±1/16
X.XX	±0.03
X.XXX	±0.015
ANGULAR	±1°
THIS PRINT, PROPERTY OF SALCO PRODUCTS INC., CONTAINS PROPRIETARY INFORMATION AND MUST NOT BE COPIED, REPRODUCED, OR USED DETREMENTALLY TO OUR INTEREST.	
THIRD ANGLE PROJECTION	

<b>SALCO PRODUCTS, INC.</b>				
DRAWN BY: ACC	CHKD BY:	SCALE: 1:1	APPROVAL DATE: 3-18-99	
MATERIAL: SEE BOM				
PART NAME: EYEBOLT ASSY LATCH 1/2X6 CS				
PROJECT # 970223B	PROTOTYPE AND DATE:	APPROVED FOR PRODUCTION: ACC		
DRAWING #: A13276	PART #: EB205TA			