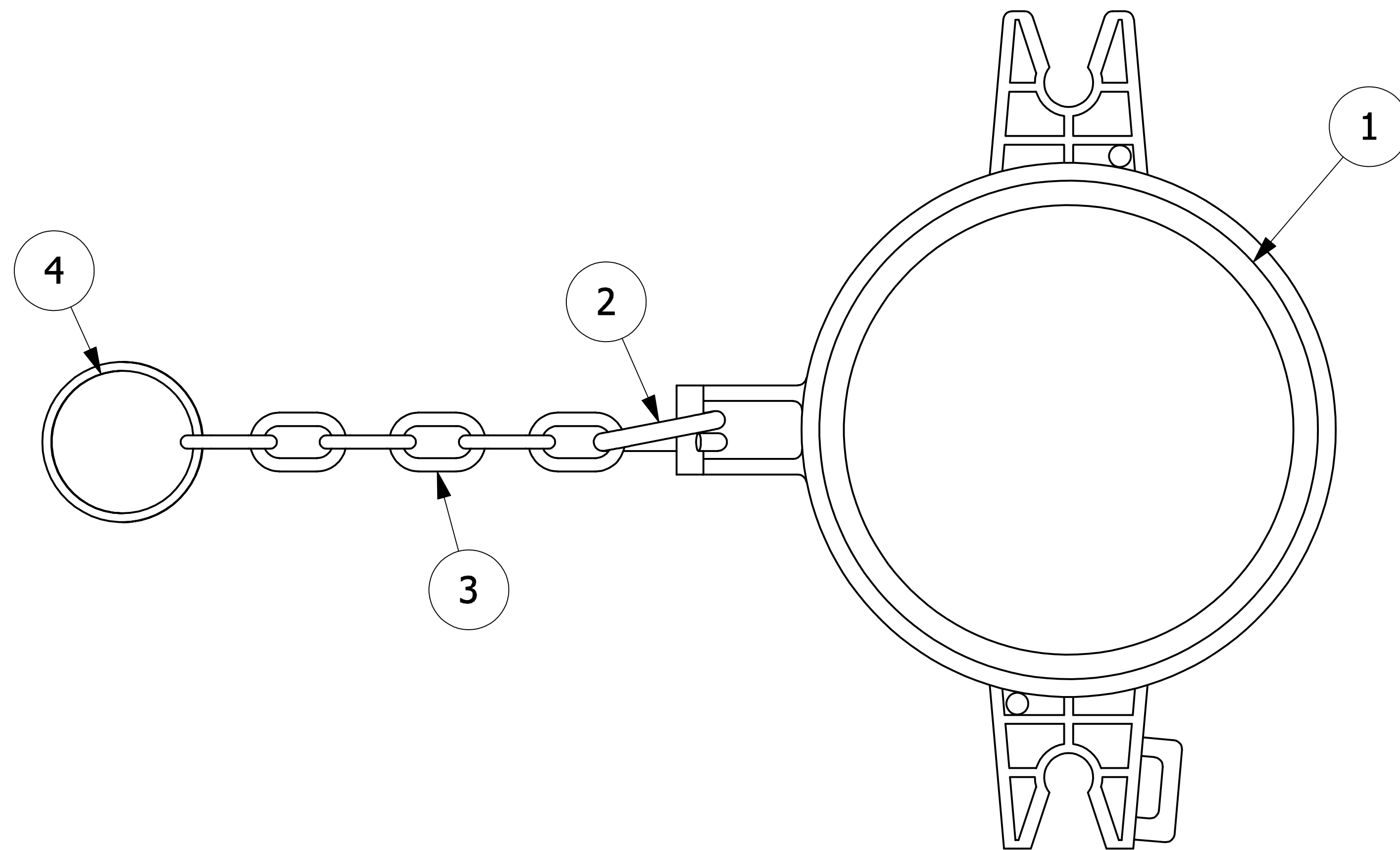
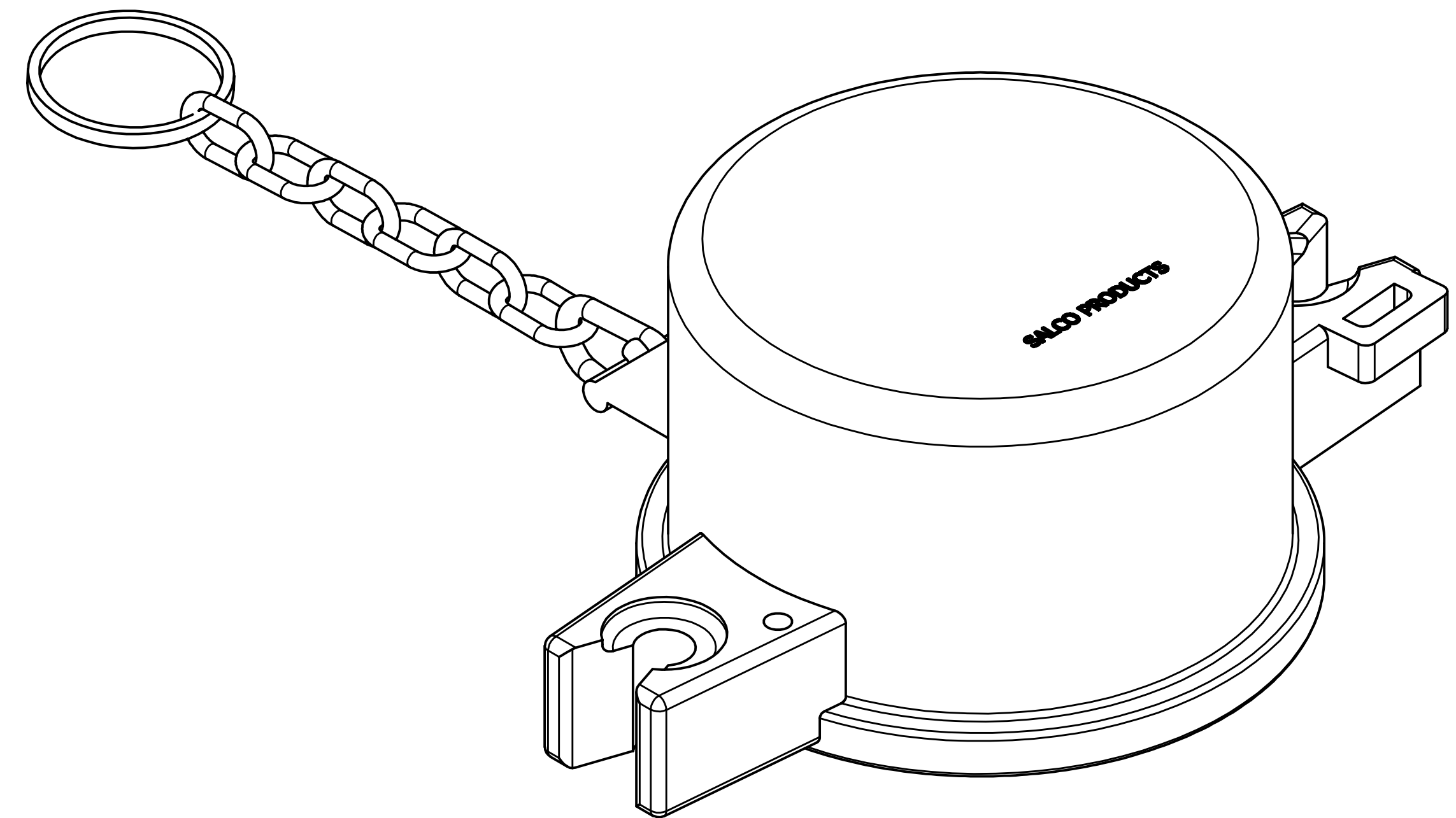
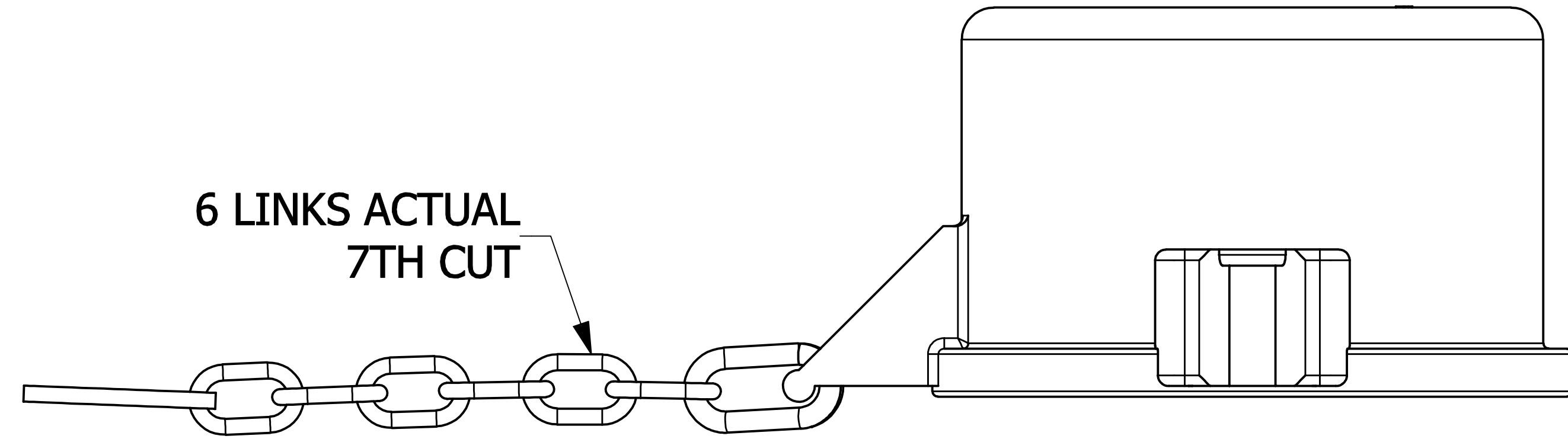


NO.	PART NAME	PART#	REQ'D	MATERIAL
1	OUTLET CAP	RP205B	1	ABS
2	REPAIR LINK 1/4"	SCA1L	1	CS Z/P
3	CHAIN LINK 3/16"	SC28	7	CS Z/P
4	2" KEY RING	SCA115R2	1	CS Z/P



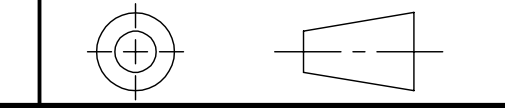
A	BRG	10-25-08	CHANGED # OF CHAIN LINKS FROM 10 TO 7
REV	BY	DATE	DESCRIPTION

UNLESS OTHERWISE SPECIFIED  
DIMENSIONAL TOLERANCES

FRACTIONAL: ±1/16  
X.XX: ±.03  
X.XXX: ±.015  
ANGULAR: ±1°

THIS PRINT, PROPERTY OF SALCO PRODUCTS  
INC, CONTAINS PROPRIETARY INFORMATION  
AND MUST NOT BE COPIED, REPRODUCED, OR  
USED DETRIMENTALLY TO OUR INTEREST.

THIRD ANGLE PROJECTION



DRAWN BY:	CHL
CHECKED BY:	ACC
PROTOTYPE BY:	CHL
PROTOTYPE DATE:	
APPROVED FOR PRODUCTION BY:	ACC
PRODUCTION DATE:	

**SALCO PRODUCTS, INC.**

**OUTLET CAP ASSEMBLY**

MATERIAL: **SEE BOM**

PROJECT #: **970223** SHEET #: **1 OF 1** SCALE: **3:4**

DRAWING #: **D13690** PART #: **RP205BSCA**