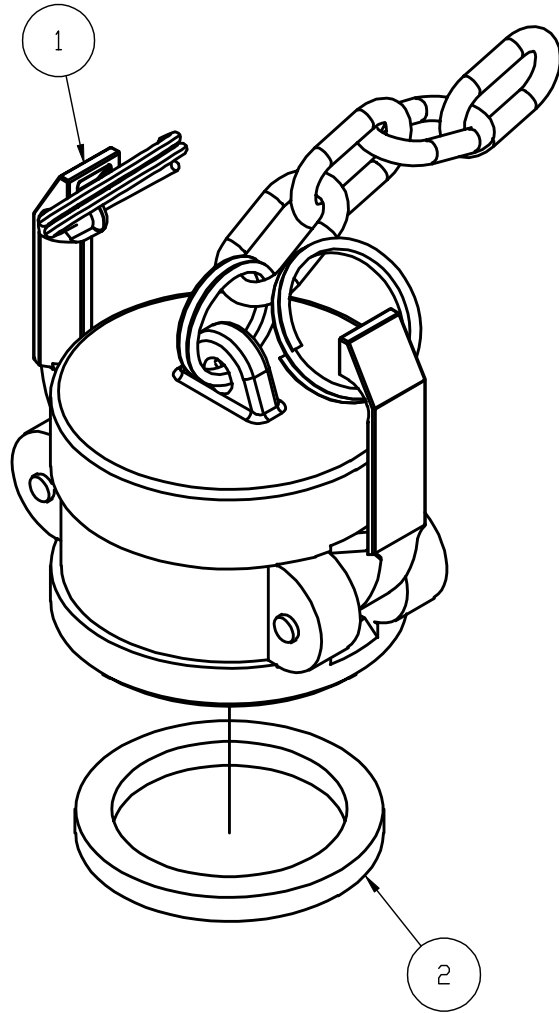


NO.	PART NAME	PART #	REQ'D	MATERIAL
1	CAP ASSY 2 AAR	PD2ADCA	1	ALUMINUM
2	GASKET 1/4X2X2 5/8 BUNA-N	PD2DCGW	1	WHITE BUNA-N



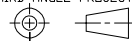
REV	BY	DATE	DESCRIPTION
A	CHL	5-9-03	REPLACED PD2ADC, PD2SBKAA, SC28 & SCA115R1 WITH PD2ADCA, UPDATED DRAWING TO 3D

UNLESS OTHERWISE SPECIFIED  
DIMENSIONAL TOLERANCES

FRACTIONAL	±1/16
X.XX	±0.03
X.XXX	±0.015
ANGULAR	±1°

THIS PRINT, PROPERTY OF SALCO PRODUCTS INC.,  
CONTAINS PROPRIETARY INFORMATION AND MUST  
NOT BE COPIED, REPRODUCED, OR USED  
DETREMENTALLY TO OUR INTEREST.

THIRD ANGLE PROJECTION



**SALCO PRODUCTS, INC.**



DRAWN BY: FOD	CHKD BY: SAB	SCALE: 1:1	APPROVAL DATE:
---------------	--------------	------------	----------------

MATERIAL: SEE BOM

PART NAME: CAP ASSY 2 AAR

PROJECT #:	PROTOTYPE AND DATE:	APPROVED FOR PRODUCTION:
------------	---------------------	--------------------------

DRAWING #: B9631	PART #: PD2ADC2A
------------------	------------------