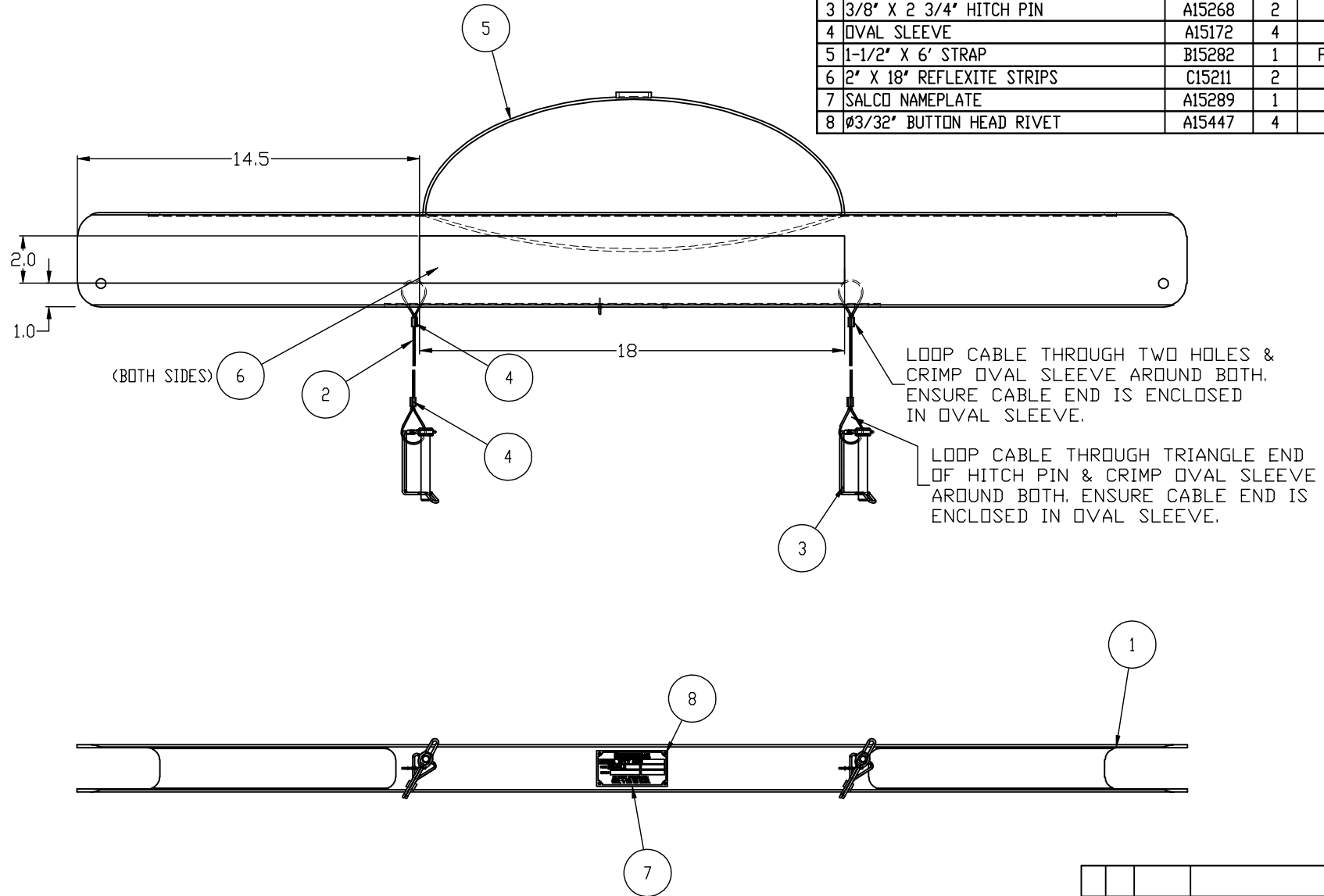


NO.	PART NAME	PART #	REQ'D	MATERIAL
1	HANDRAIL SAFETY GUARD BODY	E15123	1	ALUMINUM
2	Ø1/16" X 20' CABLE	B15239	2	CARBON STEEL
3	3/8" X 2 3/4" HITCH PIN	A15268	2	CS Z/P
4	OVAL SLEEVE	A15172	4	ALUMINUM
5	1-1/2" X 6' STRAP	B15282	1	POLYPROPYLENE
6	2" X 18" REFLEXITE STRIPS	C15211	2	POLYESTER
7	SALCO NAMEPLATE	A15289	1	ALUMINUM
8	Ø3/32" BUTTON HEAD RIVET	A15447	4	ALUMINUM



LOOP CABLE THROUGH TWO HOLES & CRIMP OVAL SLEEVE AROUND BOTH. ENSURE CABLE END IS ENCLOSED IN OVAL SLEEVE.

LOOP CABLE THROUGH TRIANGLE END OF HITCH PIN & CRIMP OVAL SLEEVE AROUND BOTH. ENSURE CABLE END IS ENCLOSED IN OVAL SLEEVE.

REV	BY	DATE	DESCRIPTION
B	CHL	3-8-01	ROUNDED THE CORNERS ON PART# E15123
A	CHL	2-9-01	REPLACED TAPE WITH RIVETS

UNLESS OTHERWISE SPECIFIED DIMENSIONAL TOLERANCES			
FRACTIONAL	±1/16		
XXX	±0.03		
XXXX	±0.015		
ANGULAR	±1°		
SEE FIRST PROPERTY OF WELDS PERMITTED UNLESS OTHERWISE SPECIFIED IN OPERATING AND MAINTENANCE MANUALS. ALL OTHERS TO BE MADE ACCORDING TO THE DRAWING.			
THIRD ANGLE PROJECTION			

SALCO PRODUCTS, INC.			
DRAWN BY: CHL	CHKD BY: KRSJ	SCALE: 2:3	APPROVAL DATE: 1-18-01
MATERIAL: SEE BOM			
PART NAME: HANDRAIL SAFETY GUARD ASSEMBLY			
PROJECT # 000914	PROTOTYPE AND DATE: CHL 10-23-00	APPROVED FOR: KRSJ	
DRAWING # E15143	PART # HSG47AL01		