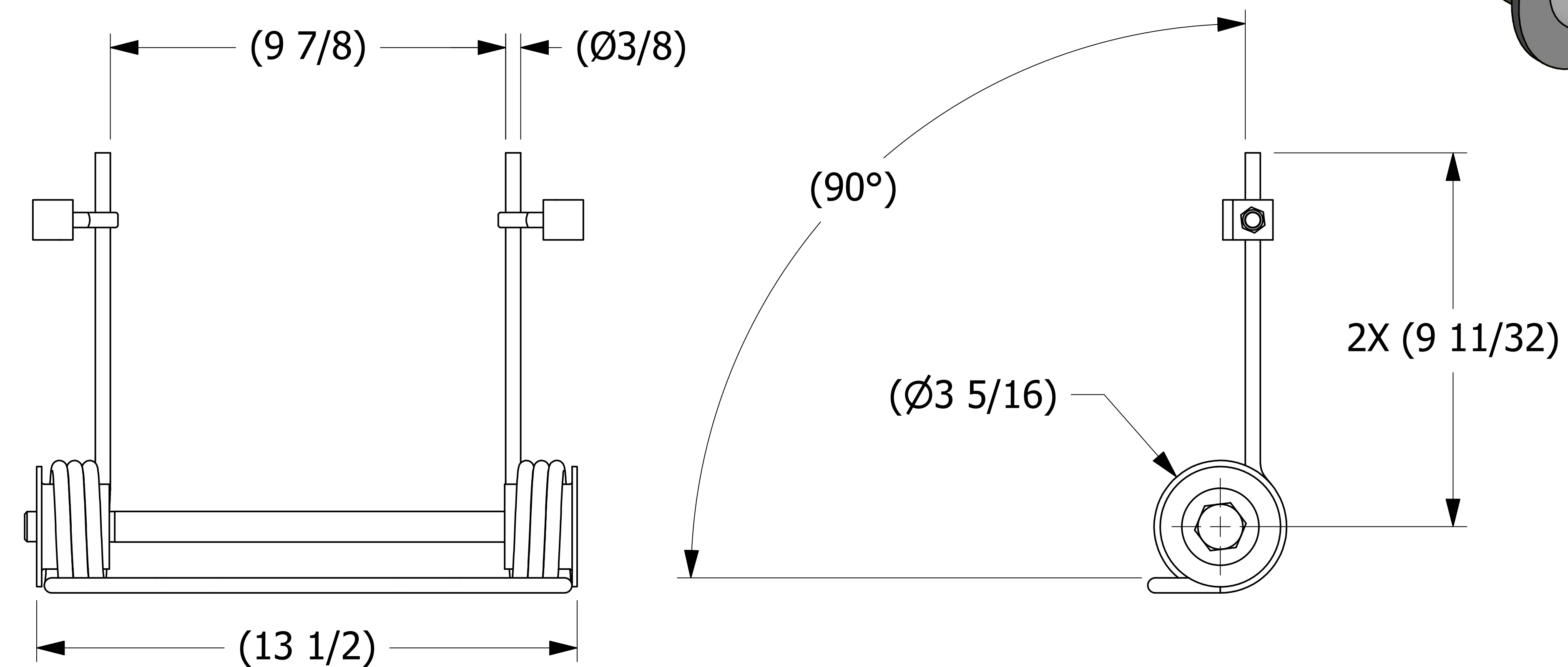


NO.	PART NAME	PART#	REQ'D	MATERIAL
1	ANGLE BRACKET	A30299	2	304/316 SS
2	EYEBOLT 3/8"-16X1 1/2"	A30300	2	18-8 SS
3	BUSHING	A35238	2	304/316 SS
4	DUAL TORSION SPRING	C33339	1	302 SS
5	HEX BOLT 7/8"-9X13"	HB0174959	1	18-8 SS
6	TOP LOCK NUT 7/8"-9	LN70804	1	18-8 SS
7	NUT LOCK HEX 3/8-16	LN70862	2	18-8 SS



FRONT VIEW
SCALE 1 : 2

NOTES:
 1. FITS ON ARI 30" HOUSING STYLE COVER.
 2. APPROX. TORQUE @ 60° DEFLECTION: 150 FT-LBS.

REV	BY	DATE	DESCRIPTION
F	WEB	10/28/20	REPLACED LN77798 W/ LN70862
E	WEB	1/15/20	A30300 DESCRIPTION WAS 3/8"-16X1"; UPDATED TITLEBLOCK
D	RJP	10/28/15	LN70804 WAS LN77804
C	VD	9/26/13	UPDATED VIEW
B	VD	4/11/13	UPDATED VIEW
A	VD	2/18/13	RELEASED FOR PRODUCTION

UNLESS OTHERWISE SPECIFIED DIMENSIONAL TOLERANCES FRACTIONAL: ±1/16 X.XX: ±.03 X.XXX: ±.015 ANGULAR: ±1° DEBURR ALL SHARP EDGES. ALL MACHINED SURFACES TO HAVE A 125 RMS FINISH UNLESS NOTED OTHERWISE. THIRD ANGLE PROJECTION	DRAWN BY: VD CHECKED BY: WRB PROTOTYPE DATE: 1/29/2013 APPROVED FOR PRODUCTION BY: WRB PRODUCTION DATE: 2/18/2013 SIZE: E DRAWING #: 35239
--	--

SALCO PRODUCTS, INC.

PART NAME: **LIFT ASSIST**

MATERIAL: **SEE BOM**

PROJECT #: **120530** SHEET #: **1 OF 1** SCALE: **1 : 1**

PART #: **LAD30ARIS**