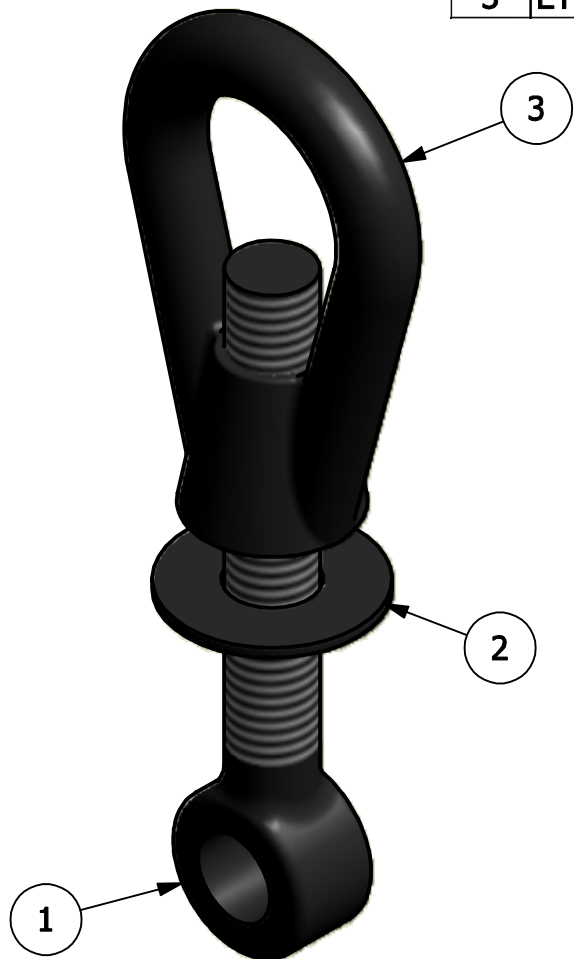


2


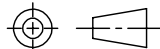


1

NO.	PART NAME	PART #	REQ'D	MATERIAL
1	EYEBOLT 1/2"-13X3 3/4"	T375SBT	1	PTFE COATED CARBON STEEL
2	FLAT WASHER 1/2"	TSW916T	1	PTFE COATED 18-8 SS
3	EYE NUT 1/2"-13	T2ENT	1	PTFE COATED BRONZE



REV	BY	DATE	DESCRIPTION
A	CHL	4-21-08	NEW PART ADDED TO SYSTEM

UNLESS OTHERWISE SPECIFIED DIMENSIONAL TOLERANCES FRACTIONAL: $\pm 1/16$ X.XX: $\pm .03$ X.XXX: $\pm .015$ ANGULAR: $\pm 1^\circ$	DRAWN BY:	CHL	 SALCO PRODUCTS, INC.			
	CHECKED BY:	PJG				
	PROTOTYPE BY:	CHL	PART NAME:			
	PROTOTYPE DATE:	9/13/2007	OUTLET CAP EYEBOLT ASSEMBLY			
<small>THIS PRINT, PROPERTY OF SALCO PRODUCTS INC, CONTAINS PROPRIETARY INFORMATION AND MUST NOT BE COPIED, REPRODUCED, OR USED DETRIMENTALLY TO OUR INTEREST.</small>	APPROVED FOR PRODUCTION BY:	PJG	MATERIAL: SEE BOM			
	PRODUCTION DATE:	4/21/2008	PROJECT #:	WAG0467	SHEET #: 1 OF 1	SCALE: 1:1
THIRD ANGLE PROJECTION 			DRAWING #:	A24126	PART #:	T375SBAT

2



1