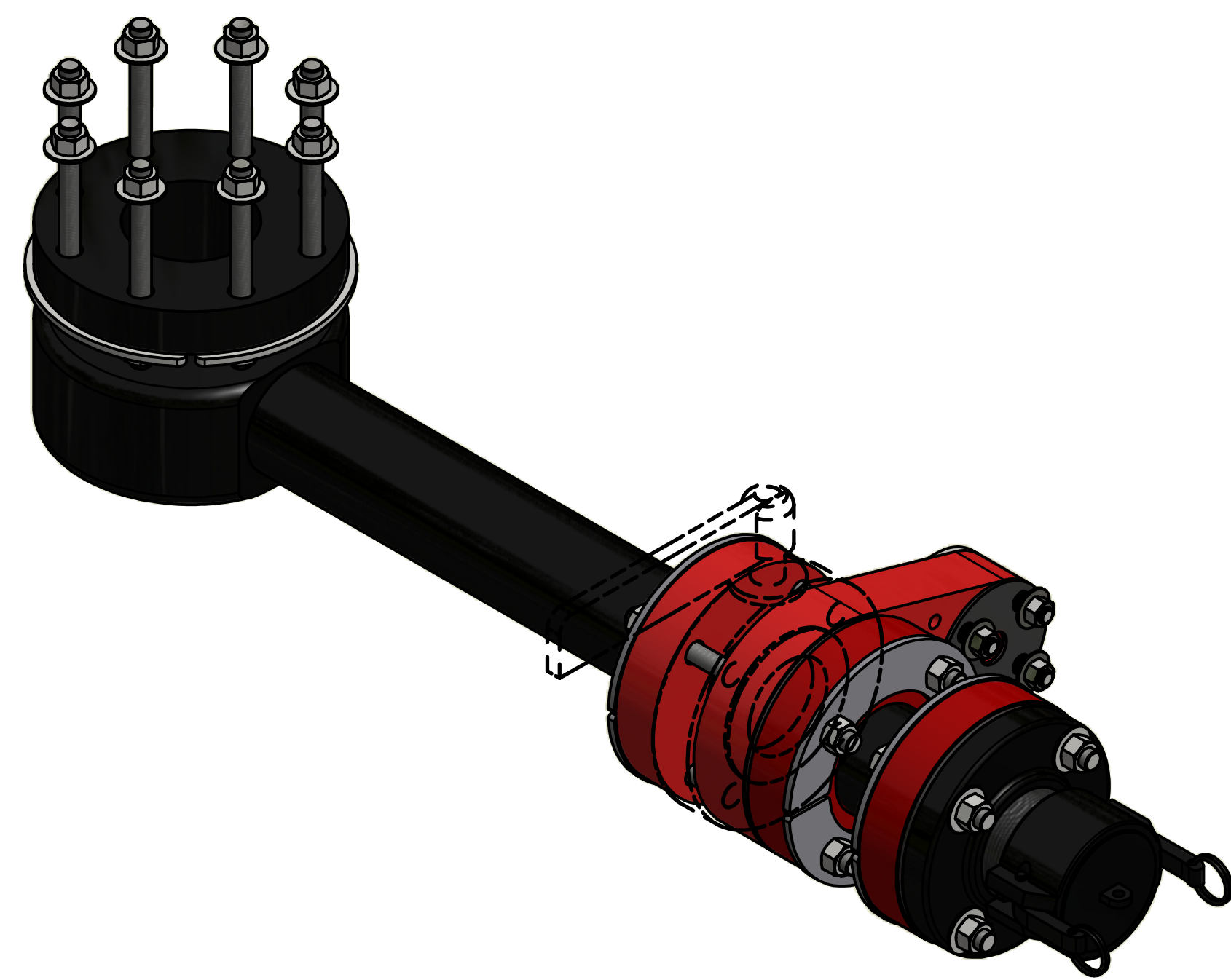
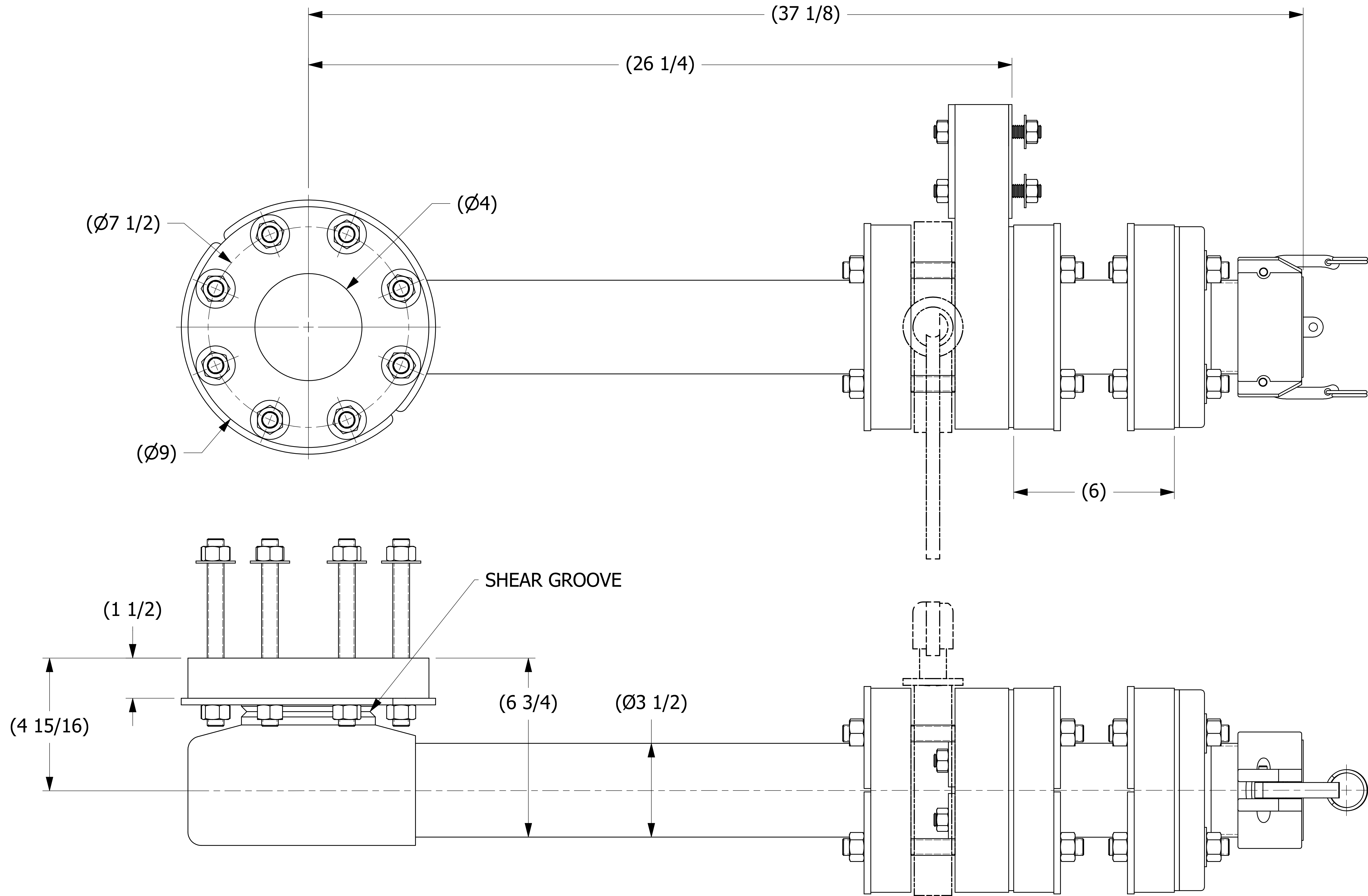


SALES DRAWING SALES DRAWING

SALES DRAWING SALES DRAWING



ISOMETRIC VIEW

NOTES:

1. BUTTERFLY VALVE IS TO BE SOLD SEPARATELY.
2. GASKET MATERIAL IS BLACK VITON A.

B	JG	11-6-14	REMOVED AS3730-030 FROM BOM, UPDATED NOTES
A	BG	2-5-13	DRAWING RELEASED FOR PRODUCTION
REV	BY	DATE	DESCRIPTION

UNLESS OTHERWISE SPECIFIED DIMENSIONAL TOLERANCES FRACTIONAL: ±1/16 X.XX: ±.03 X.XXX: ±.015 ANGULAR: ±1° DEBURR ALL SHARP EDGES. ALL MACHINED SURFACES TO HAVE A 125 RMS FINISH UNLESS NOTED OTHERWISE. THIRD ANGLE PROJECTION	DRAWN BY:	GDS
	CHECKED BY:	TAJ
	PROTOTYPE BY:	GDS
	PROTOTYPE DATE:	5/17/2012
	APPROVED FOR PRODUCTION BY:	BG
	PRODUCTION DATE:	2/5/2013

<b>SALCO PRODUCTS, INC.</b>		
PART NAME: <b>UNLOADING ASSEMBLY 4" X 3"</b>		
MATERIAL: <b>SALCO PE/ SS</b>		
PROJECT #:	110927	SHEET #:
		1 OF 1
DRAWING #:	E33243	SCALE:
		2:3
PART #:	<b>HSTTU4030A1</b>	